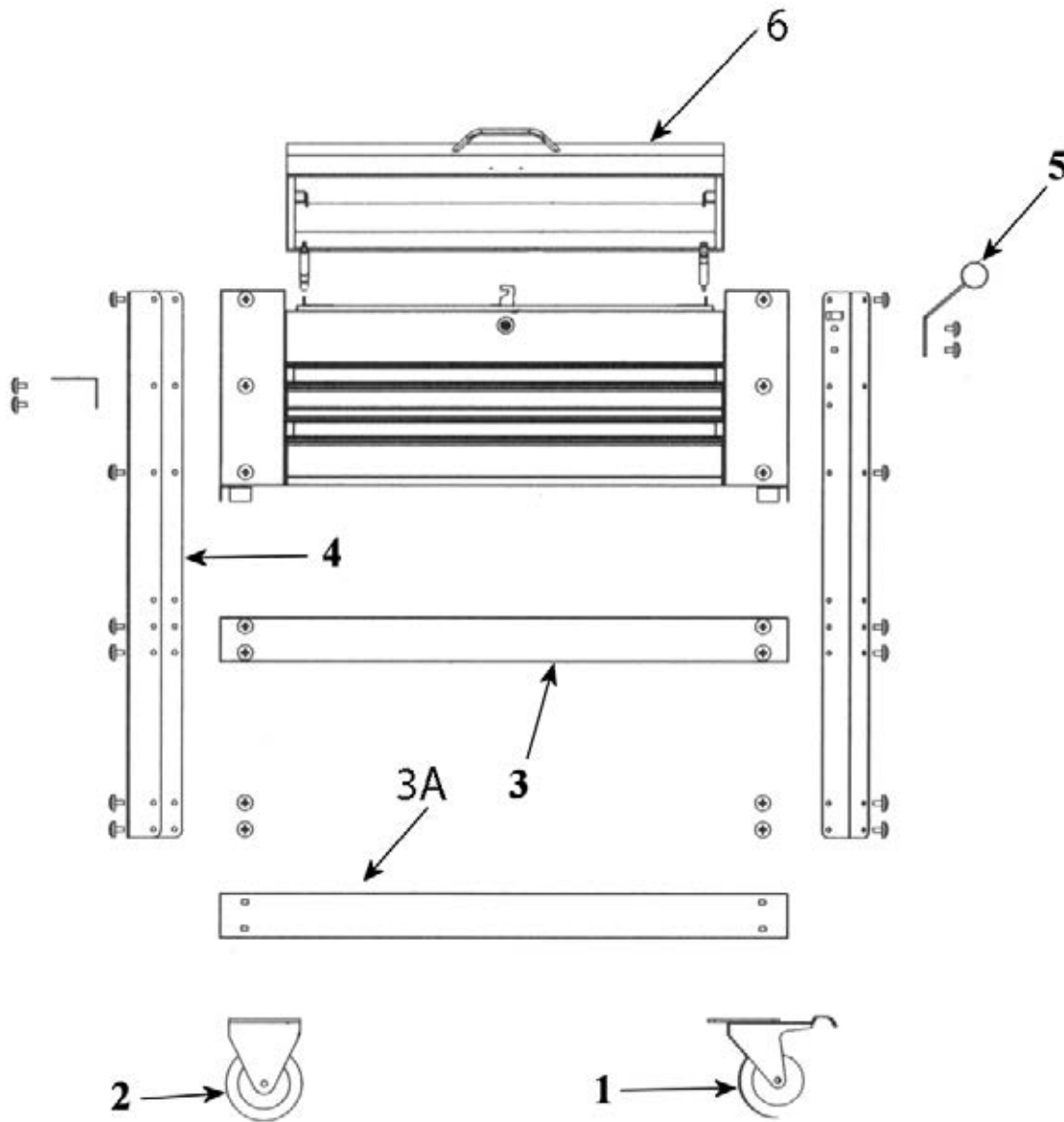




Parts Information:
**Heavy-Duty Mobile Tool & Parts Trolley 2
 Drawers & Lockable Top - Hi-Vis Green
 Model No: AP760MHV**



Item	Part No.	Description
1	AP760MHV.01	HEAVY-DUTY 'PU' CASTOR 4" (WITH BRAKE)
2	AP760MHV.02	HEAVY-DUTY 'PU' CASTOR 4"
3	AP760MHV.03M	SHELF,MIDDLE (760x435x60mm)
3A	AP760MHV.03L	SHELF,LOWER (760x435x60mm)
4	AP760MHV.04	UPRIGHT
5	AP760MHV.05	SIDE HANDLE
--	AP760MHV.06	BALL BEARING SLIDE (PAIR) (NOT SHOWN)
--	AP760MHV.07	LOCK & KEY (NOT SHOWN)

Item	Part No.	Description
6	AP760MHV.08	TOP LID
--	AP760MHV.09	DRAWER (560x400x65mm) (NOT SHOWN)
--	AP760MHV.10	DRAWER (560x400x85mm) (NOT SHOWN)
--	AP760MHV.FK	FIXING KIT (SCREWS/NUTS/WASHERS) (NOT SHOWN)
--	AP-BADGE1	SUPERLINE PRO BADGE (NEW) 111x25 (NOT SHOWN)
--	AP-BADGE2	SEALEY BADGE (NEW) 70x25 (NOT SHOWN)

NOTE: It is our policy to continually improve products and as such we reserve the right to alter data, specifications and component parts without prior notice.

IMPORTANT: No liability is accepted for incorrect use of product.

WARRANTY: Guarantee is 12 months from purchase date, proof of which will be required for any claim.

Sealey Group, Kempson Way, Suffolk Business Park, Bury St Edmunds, Suffolk. IP32 7AR



01284 757500



01284 703534



sales@sealey.co.uk



www.sealey.co.uk