



INSTRUCTIONS FOR:

PREMIER PRESSURE INDUSTRIAL FOAM SPRAYER

MODEL NO: **SCSG08**

Thank you for purchasing a Sealey product. Manufactured to a high standard, this product will, if used according to these instructions and maintained properly, give you years of trouble free performance.

IMPORTANT: PLEASE READ THESE INSTRUCTIONS CAREFULLY. NOTE THE SAFE OPERATIONAL REQUIREMENTS, WARNINGS & CAUTIONS. USE THE PRODUCT CORRECTLY AND WITH CARE FOR THE PURPOSE FOR WHICH IT IS INTENDED. FAILURE TO DO SO MAY CAUSE DAMAGE AND/OR PERSONAL INJURY AND WILL INVALIDATE THE WARRANTY. KEEP THESE INSTRUCTIONS SAFE FOR FUTURE USE.



Refer to instruction manual



Wear eye protection



Wear a breathing mask



Wear protective clothing

1. SAFETY

- ✓ Be aware of the safety requirements for the fluids contained in the vessel, and wear personal protective equipment appropriate to those fluids.
- ✓ Read and follow all the fluid manufacturers instructions for application and safe use.
- ✓ Label vessel with chemical used, even if water. It is recommended that individual vessels should be used for individual chemicals. Cross contamination can give unexpected results.
- x **DO NOT** spray at people, animals or protected insect species.
- x **DO NOT** spray in high winds, at naked flames or sources of heat.
- x **DO NOT** use the pressure sprayer for any purpose other than for which it is designed.
- x **DO NOT** use whilst eating, drinking, smoking; under the influence of drugs, alcohol, intoxicating medication, or if fatigued.
- x **DO NOT** use to spray flammable liquids, solvents etc.
- x **DO NOT** allow children to use the sprayer without supervision.

2. INTRODUCTION

Premium quality hand pump foam sprayer manufactured specifically for the generation of dry and long lasting foam. For use with chemical agents with surfactant properties. Provides a dense and durable foam, ideal for cleaning and disinfecting upholstery and carpets, disinfecting bathrooms and changing rooms, kitchens and food processing stations, car washes etc. Safety valve with depressurization option. Large 60mm opening for easy refilling and reduced spillage. Translucent tank with level indicators. Supplied with three mixers which vary the ratio of air to cleaning fluid in the foam generation. Robust composite construction with ergonomic pump and handle.

3. SPECIFICATION

Model No:SCSG08
 Working Capacity:0.75ltr
 Total Capacity:1.5ltr



fig.1

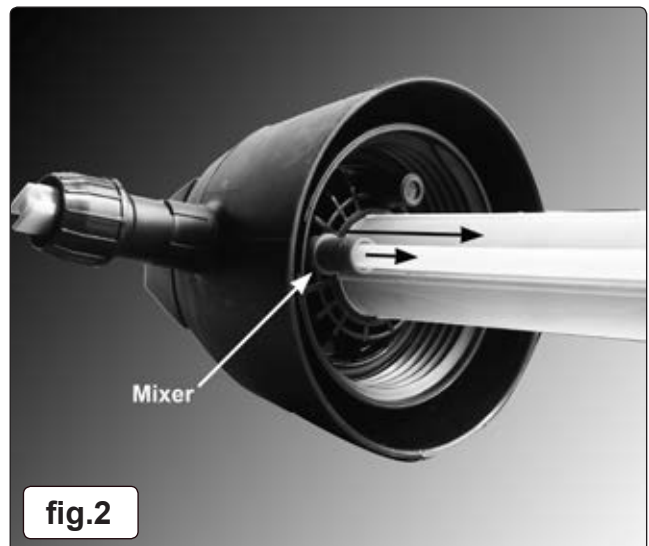


fig.2

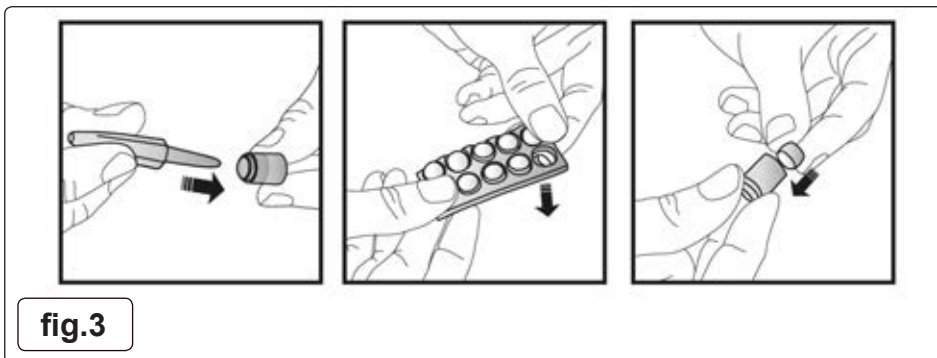
4. OPERATION

- 4.1. Grip the handle and rotate the vessel to separate (fig.1).
- 4.2. Fill to a maximum of 0.75ltr (observe the graduated scale moulded into the vessel).
- 4.3. Re-attach vessel keeping vertical, rotate until hand tight against neck seal. Pressurise unit by operating pressure pump handle until the pressure relief valve starts to blow.
- 4.4. Press the trigger to spray.
- 4.5. The orientation of the spray fan pattern may be changed from vertical to horizontal by loosening the collar surrounding the nozzle, moving the nozzle and re-tightening the collar.
- 4.6. After use, or before removing vessel, lift the pressure relief valve to vent the pressure.

- 4.7. The sprayer includes 3 mixers, allowing different air/fluid mixtures:
 The sprayer is fitted with the grey mixer as standard; this produces a general purpose foam consistency.
 The green mixer, packed separately, produces a dry foam for use when a wet finish is not desirable, e.g. upholstery.
 The orange mixer, packed separately, produces a wet foam over a wide area. Useful for car exteriors etc.
- 4.8. To change the mixer, remove the pump head and remove the mixer along with the pick up tube (fig.2).
- 4.9. Insert the replacement mixer into the pump head (fig.2) and insert the pick up tube.

5. MAINTENANCE

- 5.1. After use, vent the pressure (see section 4.6.) and rinse out with clean water.
- 5.2. If the fan nozzle becomes blocked, remove and rinse out with water. **DO NOT** use a metal object to clear.
- 5.3. A fibre filter is installed behind the nozzle. If this becomes dirty, wash in clean water. If it is damaged or extremely dirty, fit a replacement filter (supplied) as in fig.3. Remove the dirty filter with a pointed object.
- 5.4. Apply a little light oil to the pump stem periodically.
- 5.5. Clean the sprayer with a damp cloth: **DO NOT** use abrasive or solvent cleaners.
- 5.6. When not in use, store in a cool, dry, childproof location.



ENVIRONMENT PROTECTION



Recycle unwanted materials instead of disposing of them as waste. All tools, accessories and packaging should be sorted, taken to a recycling centre and disposed of in a manner which is compatible with the environment. When the product becomes completely unserviceable and requires disposal, drain any fluids (if applicable) into approved containers and dispose of the product and fluids according to local regulations.

Note: It is our policy to continually improve products and as such we reserve the right to alter data, specifications and component parts without prior notice.

Important: No Liability is accepted for incorrect use of this product.

Warranty: Guarantee is 12 months from purchase date, proof of which is required for any claim.

Sealey Group, Kempson Way, Suffolk Business Park, Bury St Edmunds, Suffolk. IP32 7AR

01284 757500
 01284 703534
 sales@sealey.co.uk
 www.sealey.co.uk