



INSTRUCTIONS FOR:
INDUSTRIAL MOBILE STORAGE SYSTEM WITH SHELF
 MODEL NO: **APICCOMBO1**

Thank you for purchasing a Sealey product. Manufactured to a high standard, this product will, if used according to these instructions and maintained properly, give you years of trouble free performance.

IMPORTANT: PLEASE READ THESE INSTRUCTIONS CAREFULLY. NOTE THE SAFE OPERATIONAL REQUIREMENTS, WARNINGS & CAUTIONS. USE THE PRODUCT CORRECTLY AND WITH CARE FOR THE PURPOSE FOR WHICH IT IS INTENDED. FAILURE TO DO SO MAY CAUSE DAMAGE AND/OR PERSONAL INJURY AND WILL INVALIDATE THE WARRANTY. KEEP THESE INSTRUCTIONS SAFE FOR FUTURE USE.



Refer to instruction manual

1. SAFETY

1.1. GENERAL SAFETY

- WARNING!** Ensure Health & Safety, local authority, and general workshop practice regulations are adhered to when using this unit.
- ✓ Always load evenly with the centre of gravity of the load as near the centre as possible.
- ✓ Use the trolley in a suitable work area.
- ✓ Keep the work area clean, uncluttered and ensure there is adequate lighting.
- ✓ Keep the trolley clean and tidy in accordance with good workshop practice.
- ✗ **DO NOT** use the trolley for any purpose other than that for which it is designed.
- ✗ **DO NOT** stand on the trolley, use it as a ladder or allow others to ride on the trolley.
- ✓ Use the wheel locks to prevent the trolley from inadvertently moving.
- ✗ **DO NOT** leave unattended, especially when loaded, unless the wheels are locked, chocked or the trolley otherwise secured.
- ✗ **DO NOT** use trolley on uneven ground and do not run over curbs or steps - use a ramp.
- ✗ **DO NOT** use trolley if any part is significantly damaged, paying particular attention to the wheels.
- ✓ Keep children and unauthorised persons away from the work area.

2. INTRODUCTION

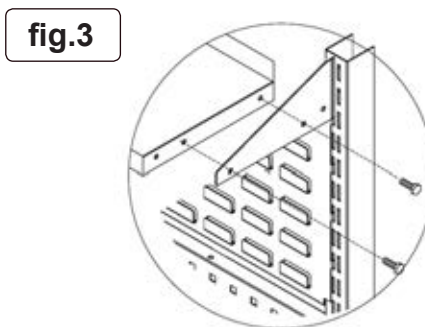
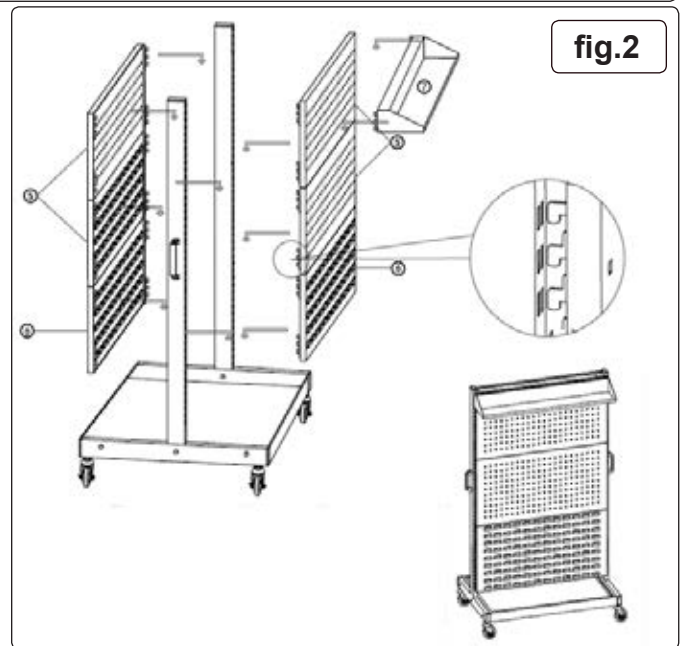
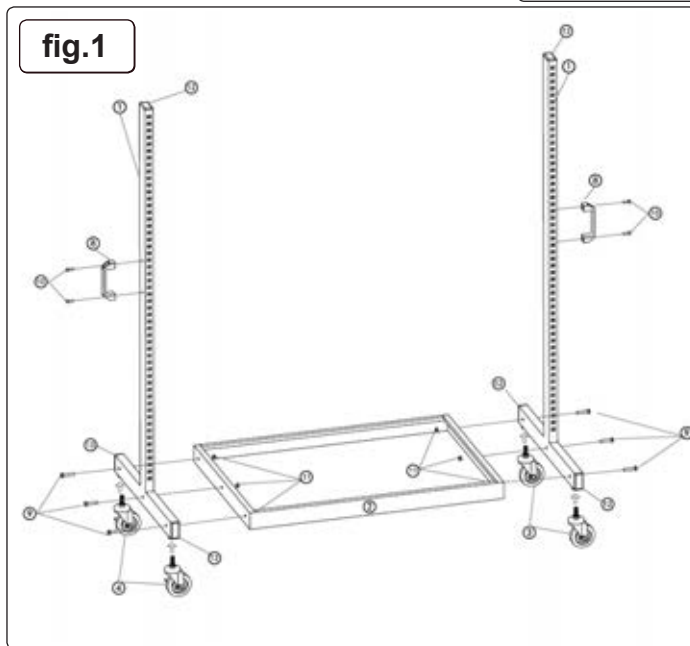
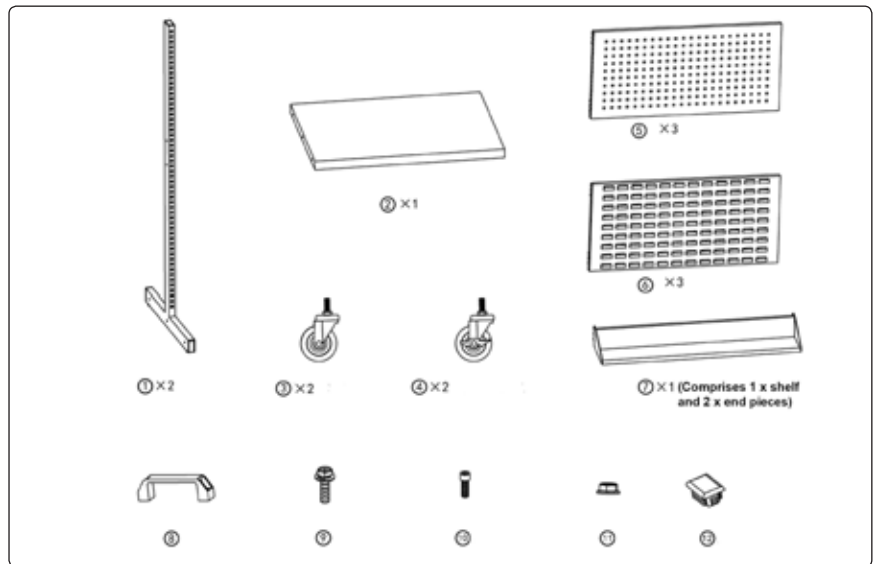
Industrial quality mobile storage system for use in the garage or workshop environment. Supplied with six panels; three louvred panels, to accept storage bins, and three perforated panels which can be used with Sealey TTS clips for tool storage. These can be mounted in any configuration, allowing the user to customise the design to suit their needs. It also includes a single shelf, which can be mounted at various heights. Four heavy-duty castors, of which two are fitted with toe locks, give smooth manoeuvrability around the workplace.

3. SPECIFICATION

Model No: **APICCOMBO1**
Overall Size (W x D x H): 960 x 640 x 1605mm
Perforated Panel Size (x3) (W x H): 925 x 1350mm
Louvred Panel Size (x3) (W x H): 925 x 1350mm
Weight: 60kg

4. ASSEMBLY

- 4.1. Assemble the framework as in fig.1.
- 4.2. The punched and louvred panels can be attached to the uprights in any required order (fig.2).
- 4.3. The shelf should be attached to the end plates (fig.3) and hung at the required level.



ENVIRONMENT PROTECTION

Recycle unwanted materials instead of disposing of them as waste. All tools, accessories and packaging should be sorted, taken to a recycling centre and disposed of in a manner which is compatible with the environment. When the product becomes completely unserviceable and requires disposal, drain any fluids (if applicable) into approved containers and dispose of the product and fluids according to local regulations.

Sealey Group, Kempson Way, Suffolk Business Park, Bury St Edmunds, Suffolk. IP32 7AR



01284 757500



01284 703534



sales@sealey.co.uk



www.sealey.co.uk