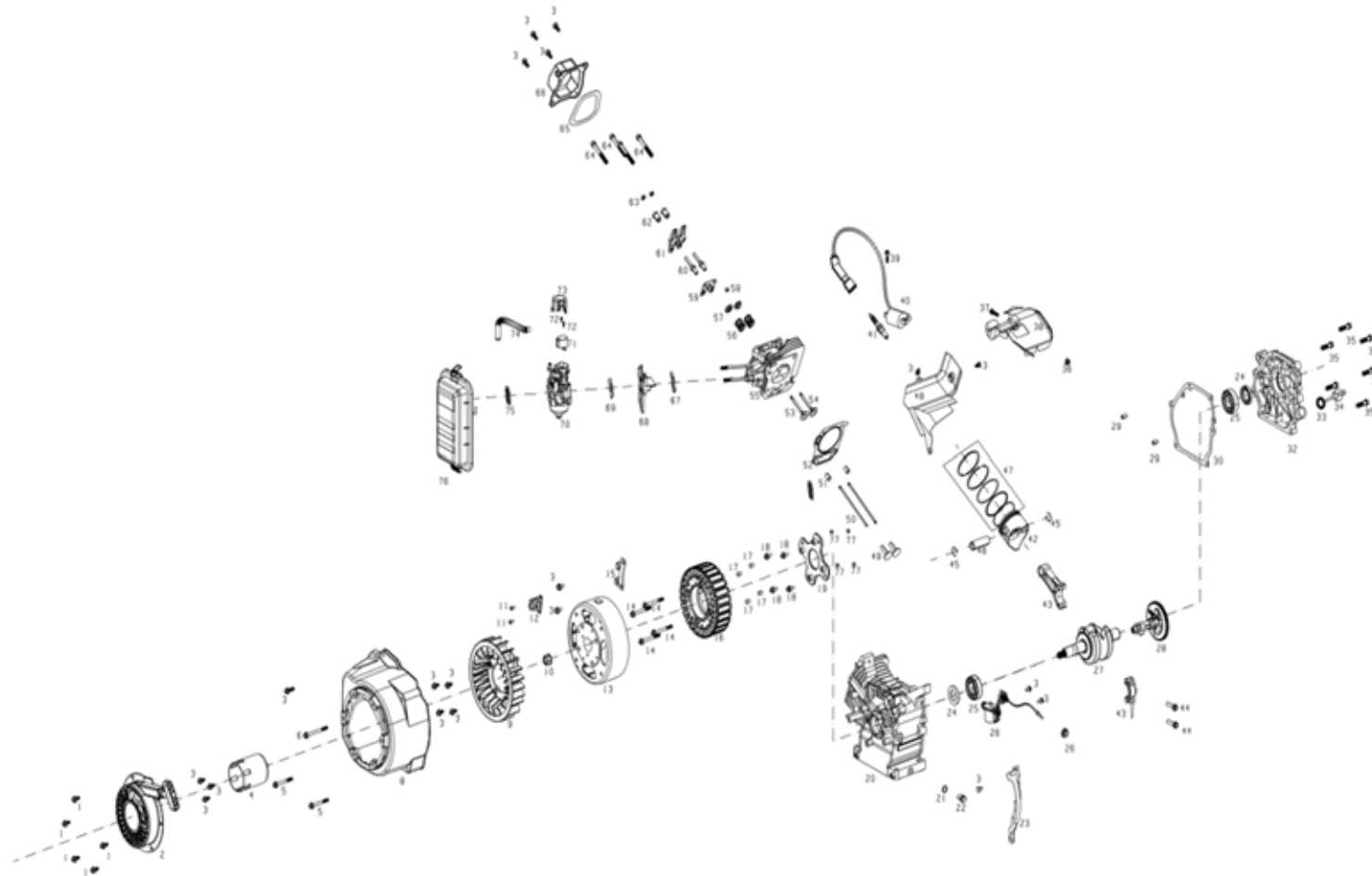




Parts Information:
Inverter Generator 3500W 230V 4-Stroke Engine
Model No: GI3500



NOTE: It is our policy to continually improve products and as such we reserve the right to alter data, specifications and component parts without prior notice.

IMPORTANT: No liability is accepted for incorrect use of product.

WARRANTY: Guarantee is 12 months from purchase date, proof of which will be required for any claim.

Sealey Group, Kempson Way, Suffolk Business Park, Bury St Edmunds, Suffolk. IP32 7AR



01284 757500



01284 703534



sales@sealey.co.uk



www.sealey.co.uk



Parts Information:
**Inverter Generator 3500W 230V 4-Stroke
Engine
Model No: GI3500**

Item	Part No.	Description
1	SFS612.S	HEX HEAD FLANGE BOLT M6x12 SINGLE
2	GI3500.E02	RECOIL STARTER ASSEMBLY
3	SFS612.S	HEX HEAD FLANGE BOLT M6x12 SINGLE
4	GI3500.E04	STARTING PULLEY
5	GI3500.E05	FLANGE BOLT M6x55
6	GI3500.E06	FLANGE BOLT M6x70
8	GI3500.E08	ENGINE AIR COVER
9	GI3500.E09	ENGINE IMPELLER
10	GI3500.E10	FLANGE NUT M14
11	GI3500.E11	CR BOLT M4
12	GI3500.E12	IGNITION TRIGGER
13	GI3500.E13	ROTOR ASSEMBLY
14	GI3500.E14	FLANGE NUT M6
15	GI3500.E15	IGNITION TRIGGER BRACKET
16	GI3500.E16	STATOR ASSEMBLY
17	GI3500.E17	PIN (7.8x6.2x7.8)
18	GI3500.E18	BOLT 8x32
19	GI3500.E19	STATOR BACKING PLATE
20	GI3500.E20	CRANKCASE
21	GI3500.E21	ALUMINIUM WASHER
22	GI3500.E22	OIL DRAIN BOLT (M10x1.25-16)
23	GI3500.E23	ENGINE SHROUD, SIDE
24	GI3500.E24	OIL SEAL (25x41.5x6)
25	B/6205	BEARING 6205
26	GI3500.E26	OIL LEVEL SENSOR
--	SN10.S	STEEL NUT M10 ZINC DIN934(SINGLE) (NOT SHOWN)
27	GI3500.E27	CRANKSHAFT
28	GI3500.E28	CAMSHAFT
29	GI3500.E29	PIN (9x14)
30	GI3500.E30	CRANKCASE GASKET
--	GI3500.E31	CRANKCASE COVER (NOT SHOWN)
32	GI3500.E32	CRANKCASE COVER
33	GI3500.E33	DIPSTICK SEAL, RUBBER
34	GI3500.E34	OIL DIPSTICK
35	SFS834.S	HEX HEAD FLANGE BOLT M8x34 SINGLE
36	FN6.S	FLANGE NUT SERRATED M6 ZINC (SINGLE)

Item	Part No.	Description
37	SFS630.S	HEX HEAD FLANGE BOLT M6x30 SINGLE
38	GI3500.E38	ENGINE TOP COVER
39	SFS625.S	HEX HEAD FLANGE BOLT M6x25 SINGLE
40	GI3500.E40	IGNITION COIL
41	GI3500.E41	SPARK PLUG
42	GI3500.E42	PISTON
43	GI3500.E43	CONNECTING ROD
44	GI3500.E44	CONNECTING ROD NUT
45	GI3500.E45	PISTON CIRCLIP
46	GI3500.E46	PISTON PIN
47	GI3500.E47	PISTON RING SET
48	GI3500.E48	ENGINE BOTTOM COVER
--	GI3500.E49	PUSH ROD COVER (NOT SHOWN)
50	GI3500.E50	PUSH ROD
51	GI3500.E51	PIN 10x114
52	GI3500.E52	CYLINDER HEAD GASKET
53	GI3500.E53	INTAKE VALVE
54	GI3500.E54	EXHAUST VALVE
55	GI3500.E55	CYLINDER HEAD
56-58	GI3500.E56-58	VALVE ASS'Y
59	GI3500.E59	PUSH-ROD MOUNTING PLATE
61-63	GI3500.E60-63	ROCKER ASS'Y
64	GI3500.E64	FLANGE BOLT M8x55
65	GI3500.E65	CYLINDER HEAD COVER GASKET
66	GI3500.E66	CYLINDER HEAD COVER
67	GI3500.E67	CARBURETOR GASKET (A)
68	GI3500.E68	CARBURETOR INSULATION PAD
69	GI3500.E69	CARBURETOR GASKET (B)
70	GI3500.E70	CARBURETOR
71	GI3500.E71	STEPPED MOTOR
72	MSP48.S	MACHINE SCREW PAN HEAD PHILLIPS M4x8mm
73	GI3500.E73	STEPPED MOTOR RUBBER COVER
74	GI3500.E74	AIR PIPE
75	GI3500.E75	AIR FILTER GASKET
76	GI3500.E76	AIR FILTER ASS'Y
77	GI3500.E77	PIN

NOTE: It is our policy to continually improve products and as such we reserve the right to alter data, specifications and component parts without prior notice.

IMPORTANT: No liability is accepted for incorrect use of product.

WARRANTY: Guarantee is 12 months from purchase date, proof of which will be required for any claim.

Sealey Group, Kempson Way, Suffolk Business Park, Bury St Edmunds, Suffolk. IP32 7AR



01284 757500



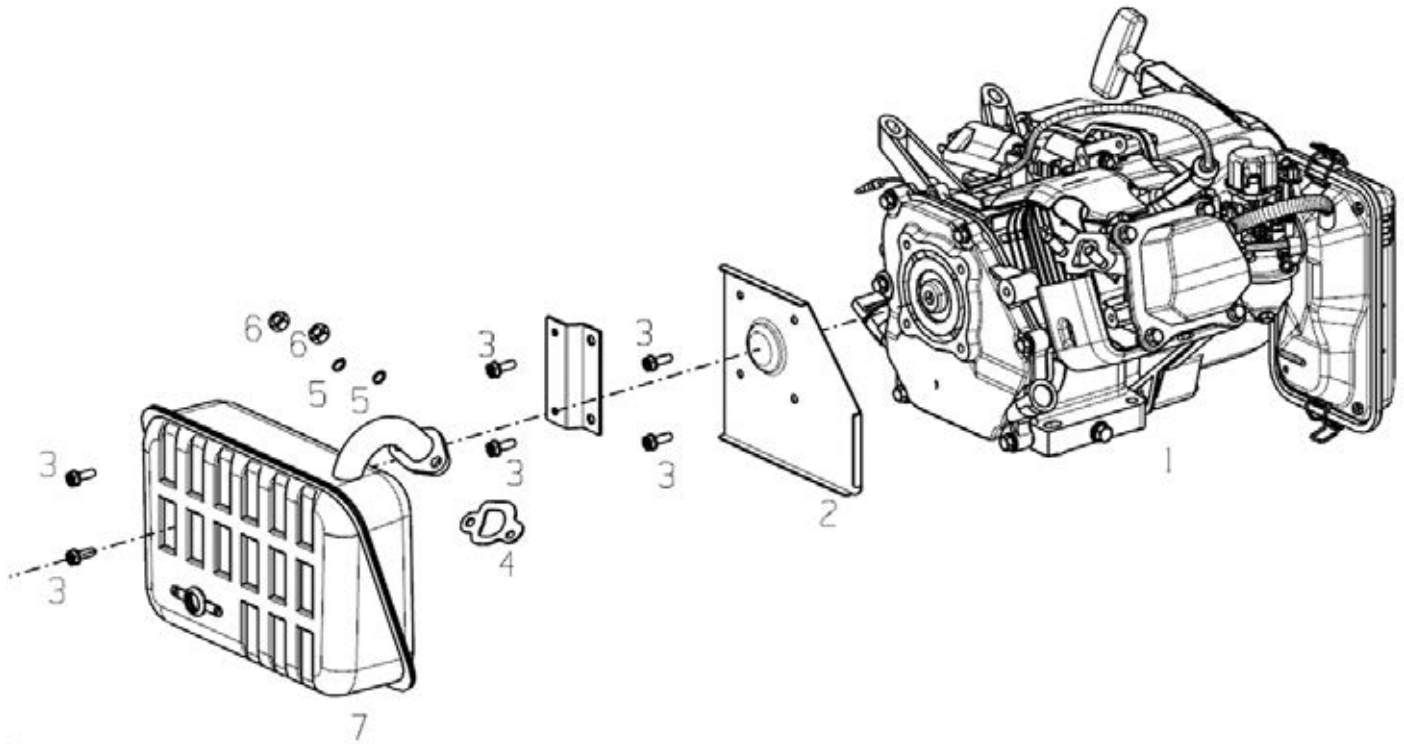
01284 703534



sales@sealey.co.uk



www.sealey.co.uk



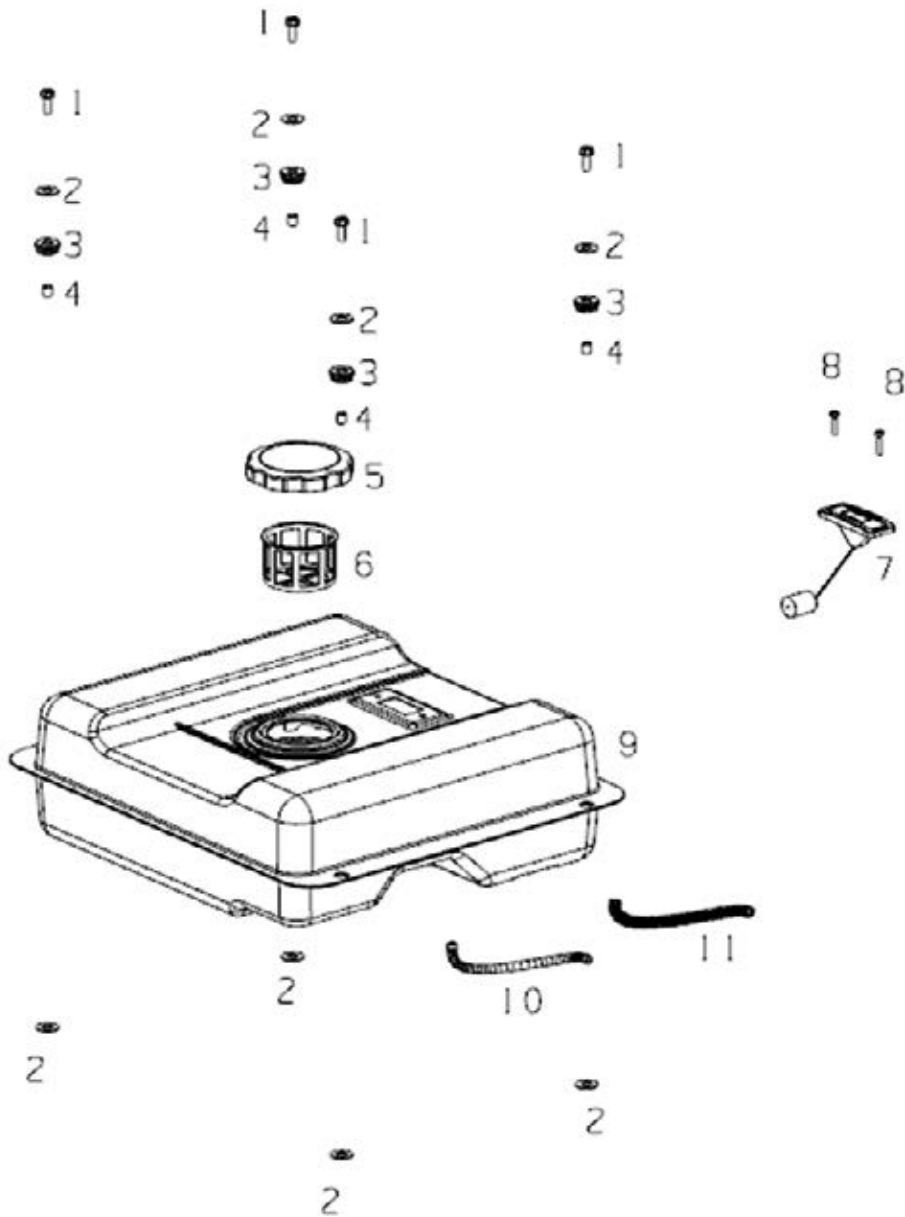
Item	Part No.	Description
1	GI3500.01-1	ENGINE
2	GI3500.01-2	HEAT BAFFLE
3	GI3500.01-3	HEX SOCKET BOLT M8
4	GI3500.01-4	MUFFLER GASKET

Item	Part No.	Description
5	SWM8.S	SPRING WASHER M8 ZINC (SINGLE)
6	SN8.S	STEEL NUT M8 ZINC DIN934 (SINGLE)
7	GI3500.01-7	MUFFLER

NOTE: It is our policy to continually improve products and as such we reserve the right to alter data, specifications and component parts without prior notice.

IMPORTANT: No liability is accepted for incorrect use of product.

WARRANTY: Guarantee is 12 months from purchase date, proof of which will be required for any claim.



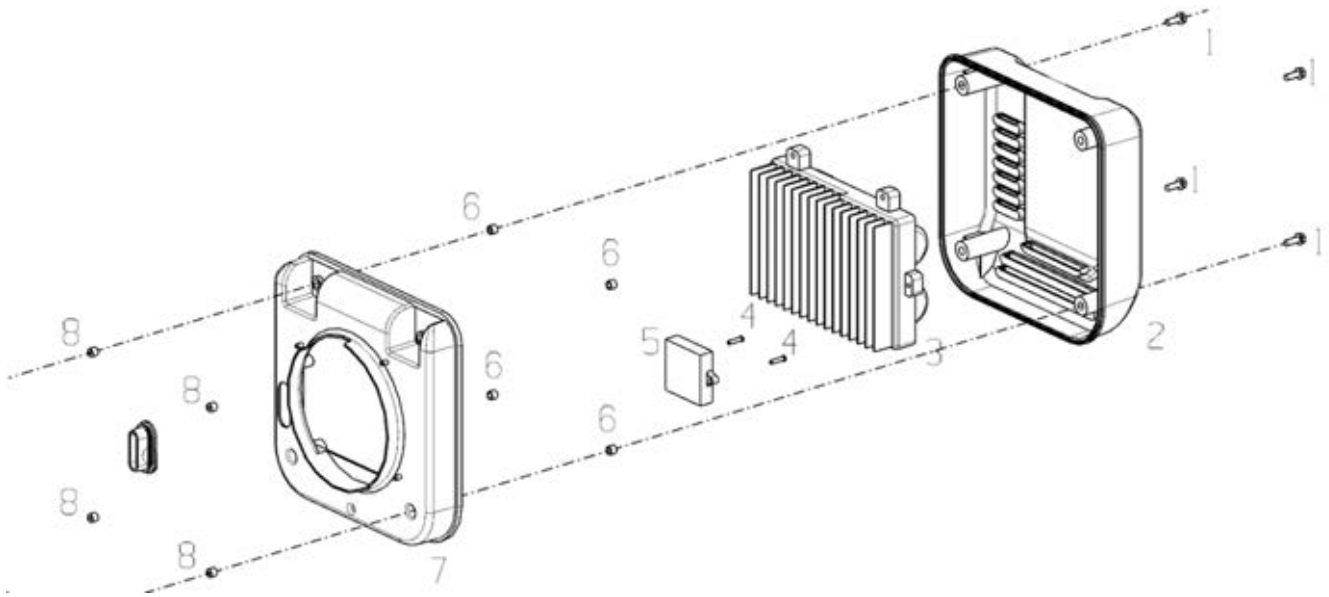
Item	Part No.	Description
1	GI3500.02-1	HEX FLANGE BOLT M6
2	GI3500.02-2	WASHER (6.5x18x1)
3	GI3500.02-3	RUBBER BUSHING
4	GI3500.02-4	BUSHING
5	GI3500.02-5	FUEL TANK CAP
6	GI3500.02-6	FUEL TANK FILTER

Item	Part No.	Description
7	GI3500.02-7	FUEL TANK GAUGE
8	GI3500.02-8	BOLT M5
9	GI3500.02-9	FUEL TANK
10	GI3500.02-10	TUBING SPRING
11	GI3500.02-11	FUEL TUBE

NOTE: It is our policy to continually improve products and as such we reserve the right to alter data, specifications and component parts without prior notice.

IMPORTANT: No liability is accepted for incorrect use of product.

WARRANTY: Guarantee is 12 months from purchase date, proof of which will be required for any claim.



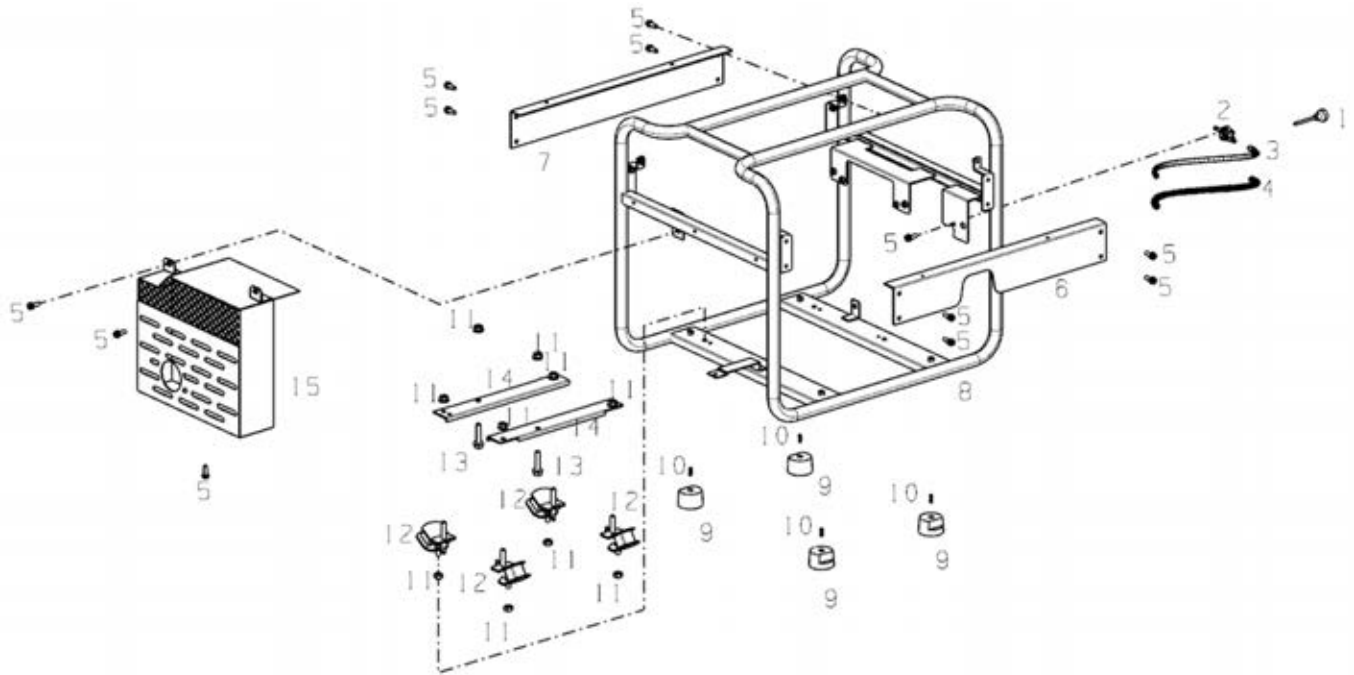
Item	Part No.	Description
1	GI3500.03-1	HEX FLANGE BOLT M6
2	GI3500.03-2	INVERTER UNIT, FRONT COVER
3	GI3500.03-3	INVERTER
4	GI3500.03-4	SELF-TAPPING SCREW 4.2
5	GI3500.03-5	IGNITION CONTROL MODULE

Item	Part No.	Description
6	GI3500.03-6	BUSHING
7	GI3500.03-7	INVERTER UNIT, REAR COVER
8	GI3500.03-8	BUSHING
--	GI3500.03-9	WATER PROOF RUBBER (NOT SHOWN)

NOTE: It is our policy to continually improve products and as such we reserve the right to alter data, specifications and component parts without prior notice.

IMPORTANT: No liability is accepted for incorrect use of product.

WARRANTY: Guarantee is 12 months from purchase date, proof of which will be required for any claim.



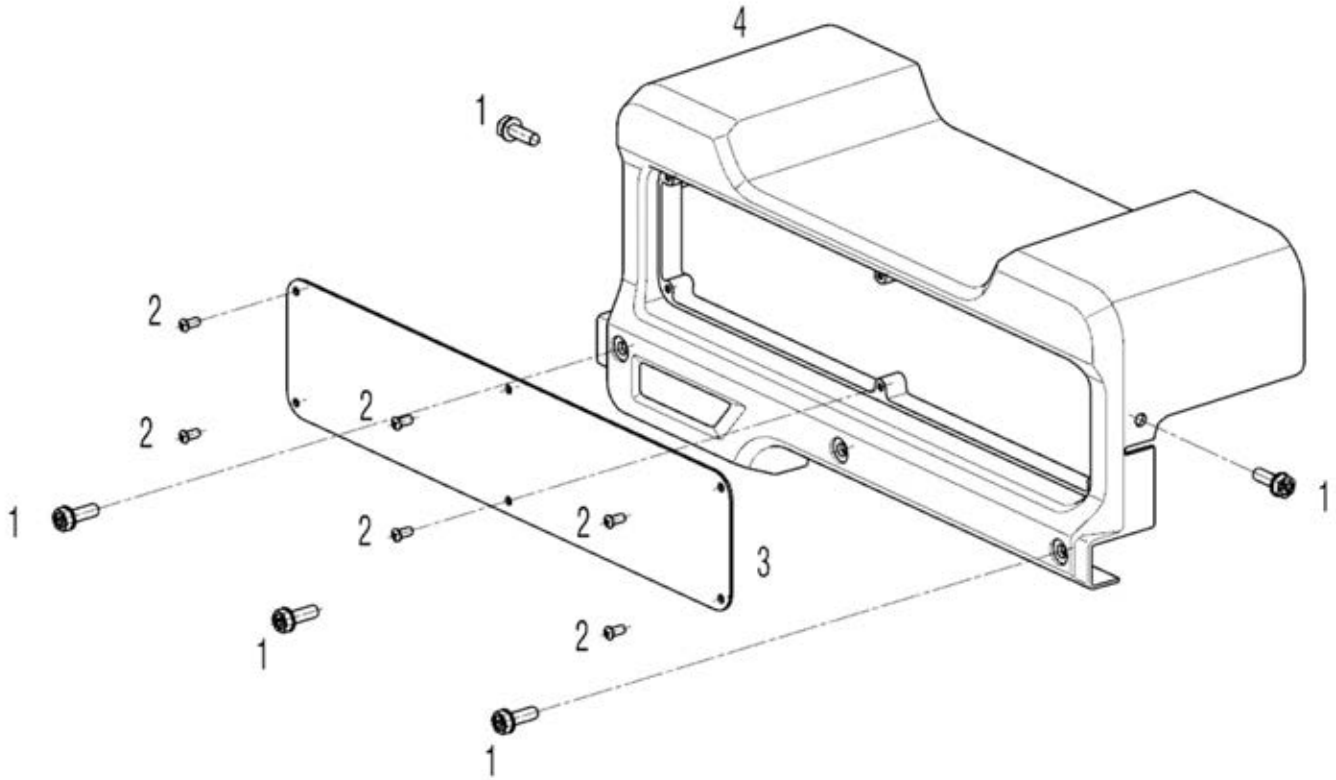
Item	Part No.	Description
1	GI3500.04-1	CHOKE LINE
2	GI3500.04-2	FUEL SWITCH
3	GI3500.04-3	TUBE SPRING
4	GI3500.04-4	FUEL TUBE
5	FN6.S	FLANGE NUT SERRATED M6 ZINC (SINGLE)
6	GI3500.04-6	SIDE PANEL, LEFT
7	GI3500.04-7	SIDE PANEL, RIGHT
8	GI3500.04-8	GENERATOR FRAME

Item	Part No.	Description
9	GI3500.04-9	RUBBER FOOT
10	FN6.S	FLANGE NUT SERRATED M6 ZINC (SINGLE)
11	FN8.S	FLANGE NUT SERRATED M8 ZINC (SINGLE)
12	GI3500.04-12	SHOCK ABSORBING FOOT
13	GI3500.04-13	HEX FLANGE BOLT M8
14	GI3500.04-14	ENGINE BASE SUPPORT
15	GI3500.04-15	MUFFLER COVER

NOTE: It is our policy to continually improve products and as such we reserve the right to alter data, specifications and component parts without prior notice.

IMPORTANT: No liability is accepted for incorrect use of product.

WARRANTY: Guarantee is 12 months from purchase date, proof of which will be required for any claim.



Item	Part No.	Description
1	GI3500.05-1	BOLT (M6)
2	GI3500.05-2	BOLT (M4)

Item	Part No.	Description
3	GI3500.05-3	PANEL (BLANK)
4	GI3500.05-4	PANEL HOUSING (BLANK)

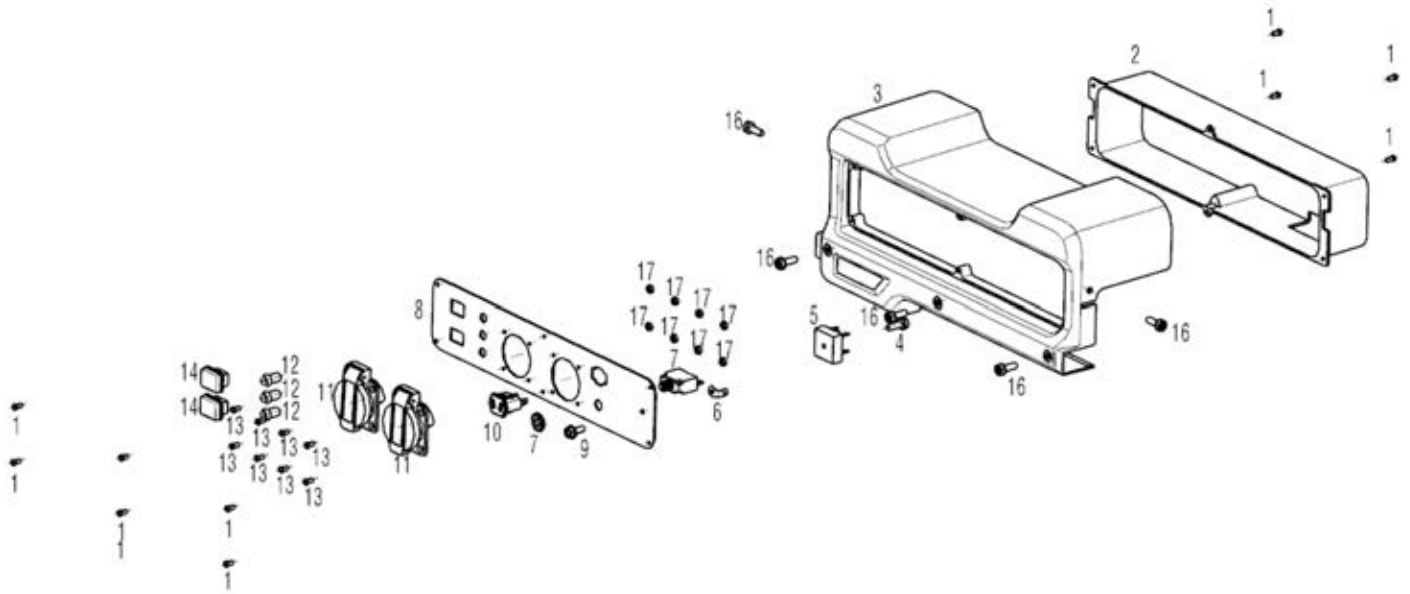
NOTE: It is our policy to continually improve products and as such we reserve the right to alter data, specifications and component parts without prior notice.

IMPORTANT: No liability is accepted for incorrect use of product.

WARRANTY: Guarantee is 12 months from purchase date, proof of which will be required for any claim.



Parts Information:
**Inverter Generator 3500W 230V 4-Stroke
 Engine**
Model No: GI3500



Item	Part No.	Description
1	GI3500.06-1	BOLT (M4)
2	GI3500.06-2	SWITCH PANEL INNER HOUSING
3	GI3500.06-3	SWITCH PANEL HOUSING
4	GI3500.06-4	BOLT (M5)
5	GI3500.06-5	DC RECTIFIER
6	GI3500.06-6	CONNECTOR
7	GI3500.06-7	CUT-OUT SWITCH
8	GI3500.06-8	CONTROL PANEL PLATE
9	GI3500.06-9	BOLT (M5)

Item	Part No.	Description
10	GI3500.06-10	DC SOCKET
11	GI3500.06-11	AC SOCKET
12	GI3500.06-12	PILOT LIGHT
13	GI3500.06-13	BOLT (M4)
14	GI3500.06-14	ENGINE SWITCH/ECO MODE SWITCH
--	GI3500.06-15	CONNECTOR WIRES (NOT SHOWN)
16	GI3500.06-16	BOLT (M6)
--	GI3500.06-17	HEX FLANGE NUT M4 (NOT SHOWN)

NOTE: It is our policy to continually improve products and as such we reserve the right to alter data, specifications and component parts without prior notice.

IMPORTANT: No liability is accepted for incorrect use of product.

WARRANTY: Guarantee is 12 months from purchase date, proof of which will be required for any claim.

Sealey Group, Kempson Way, Suffolk Business Park, Bury St Edmunds, Suffolk. IP32 7AR



01284 757500



01284 703534



sales@sealey.co.uk



www.sealey.co.uk