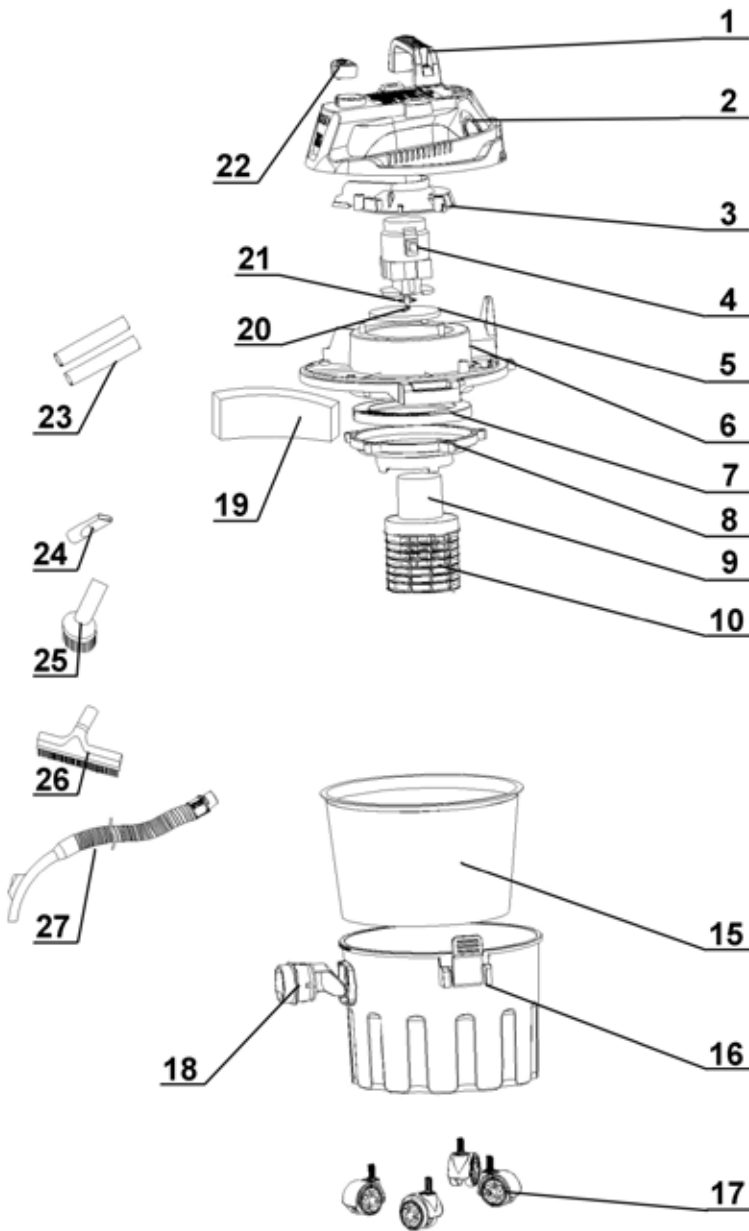


Parts Information:
Vacuum Cleaner Wet & Dry 10ltr
1000W/230V
Model No: PC102 & PC102HV



Item	Part No.	Description
1	PC102.01	TOP HANDLE (PC102 only)
--	PC102HV.01	TOP HANDLE (HI-VIS) (PC102HV only)
2	PC102.02	TOP COVER
3	PC102.03	MOTOR COVER
4	PC102.04	MOTOR 1000W
5	PC102.05	MOTOR VANE
6	PC102.06	MIDDLE COVER
7	PC102.07	MOTOR PLATE
8	PC102.08	MOTOR BASE
9	PC102.09	SAFETY VALVE
10	PC102.10	MOTOR BASKET
15	PC102CF	WASHABLE CLOTH FILTER FOR PC102/ PC102HV
16	PC102.16	PLASTIC TANK (PC102 only)
--	PC102HV.16	PLASTIC TANK (HI-VIS) (PC102HV only)
17	PC102.17	UNIVERSAL WHEEL
18	PC102.18	AIR INET CONNECTION
19	PC102.19	SILENCER FOAM
20	PC102.20	SCREW FOR MOTOR
21	PC102.21	GASKET
22	PC102.22	POWER SWITCH (PC102 only)
--	PC102HV.32	POWER SWITCH (HI-VIS) (PC102HV only)
23	PC102.23	EXTENSION TUBE (PLASTIC)
24	PC102.24	CREVICE NOZZLE
25	PC102.25	ROUND BRUSH
26	PC102.26	FLOOR BRUSH
27	PC102.27	SUCTION HOSE ASSEMBLY

NOTE: It is our policy to continually improve products and as such we reserve the right to alter data, specifications and component parts without prior notice.

IMPORTANT: No liability is accepted for incorrect use of product.

WARRANTY: Guarantee is 12 months from purchase date, proof of which will be required for any claim.