



INSTRUCTIONS FOR

# DRILL STAND WITH CAST IRON BASE 500MM & 65MM VICE

MODEL NO: **DS01**

Thank you for purchasing a Sealey product. Manufactured to a high standard, this product will, if used according to these instructions, and properly maintained, give you years of trouble free performance.

**IMPORTANT:** PLEASE READ THESE INSTRUCTIONS CAREFULLY. NOTE THE SAFE OPERATIONAL REQUIREMENTS, WARNINGS & CAUTIONS. USE THE PRODUCT CORRECTLY AND WITH CARE FOR THE PURPOSE FOR WHICH IT IS INTENDED. FAILURE TO DO SO MAY CAUSE DAMAGE AND/OR PERSONAL INJURY AND WILL INVALIDATE THE WARRANTY. KEEP THESE INSTRUCTIONS SAFE FOR FUTURE USE.



Refer to instructions



Wear eye protection



Wear protective gloves

## 1. SAFETY

- ✓ Only use on firm, level, unobstructed surfaces which are capable of supporting the stand and drill.
- ✓ **Ensure stand is fixed to surface capable of supporting stand, drill and work piece.**
- ✓ Replace or repair damaged parts. Use only recommended parts. Unauthorised parts may be dangerous and will invalidate the warranty.
- ❑ **WARNING!** Failure to comply with these instructions may result in damage to the stand or other property and/or personal injury.
- ❑ **WARNING!** The warnings, cautions and instructions discussed in this instruction manual cannot cover all possible conditions and situations that may occur. It must be understood that common sense and caution are factors which cannot be built into this product, but must be applied by the operator.

## 2. INTRODUCTION

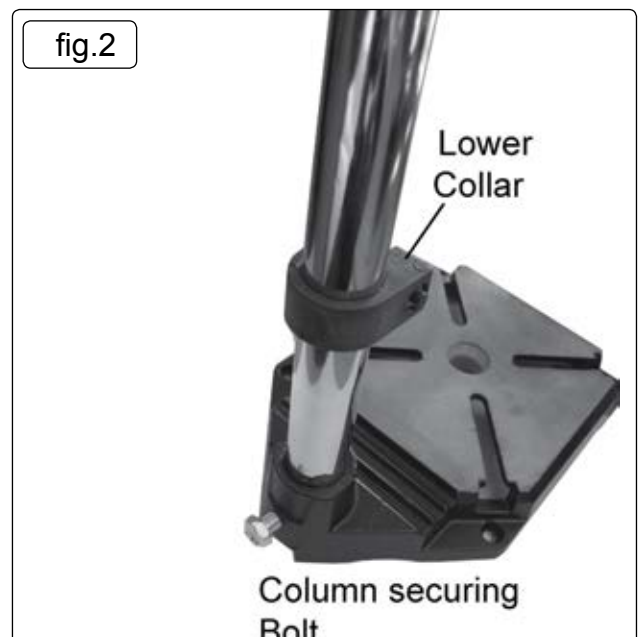
Drill stand with cast iron base for vertical drilling using a hand drill. Supplied with drill vice which mounts onto the base to secure the workpiece. Features a preset depth control and stop for drilling depths of up to 60mm, ideal for accurate and repetitive drilling. For use with hand drills with a collar diameter of 38mm if used with the adaptor bush or 43mm if used without. Drill vice features a quick jaw release feature to allow fast and easy adjustment to suit the workpiece.

## 3. SPECIFICATION

Model No.....	DS01
Collar Centre to Column.....	150mm
Maximum Distance Collar to base.....	345mm
Column Diameter .....	25mm
Base Size .....	155x220mm
Collar Diameter .....	43mm (38mm with adapter bush)
Overall Height .....	500mm
Vice Jaw Width.....	65mm
Vice Jaw Depth .....	25mm
Vice Jaw Opening .....	70mm

## 4. ASSEMBLY

- 4.1. Slide the column into the base, making sure that it is level with the bottom of the base. Clamp in place with bolt.
- 4.2. Slide the lower collar onto column and position half way. Use Hex key to lock in place. (fig.2.)



- 4.3. Slide the head assembly onto the column.
- 4.4. Apply a small amount of light lubricant to the column to ease movement.
- 4.5. Attach the operating lever to the head assembly and the connecting arm. (fig.3.)
- 4.6. Keep the Hex key in magnetic clips on side of head assembly.



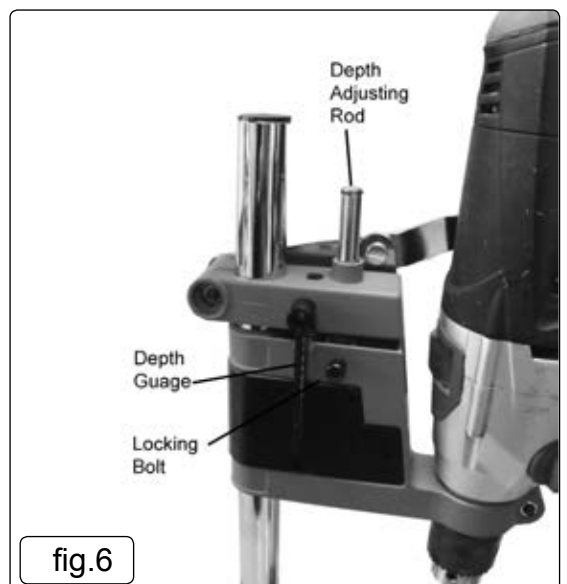
- 4.7. Use the two bolts supplied to secure the vice to the base. (fig.4.)
- 4.8. Bolt the base to a work bench (bolts not supplied).
- 4.9. The vice has a quick release/adjustment button. Press to release the thread then slide in and out to quickly adjust jaw opening, release button to engage screw thread.



- 4.10. Position an electric drill with standard 43mm diameter neck into the head assembly. Tighten the locking collar using the hex key.
- 4.11. The head assembly has a reducing sleeve provided to use with 38mm drill necks.



- 4.12. **Setting the depth Gauge**
- 4.12.1. Determine the depth of hole required.
- 4.12.2. Release the locking bolt.
- 4.12.3. Lower the drill using the drill stand handle to the required reading on the depth gauge, lock the depth adjusting rod with the locking bolt.



- 4.13. **Drilling a Hole.**
- 4.13.1. Lower the head assembly until the drill bit touches the work piece.
- 4.13.2. Lock the head assemble in place.
- 4.13.3. Switch the drill on, and apply light consistent downward pressure on the drill stand handle. This will then gradually drill a hole to the required depth.

## 5. MAINTENANCE

- 5.1. Keep the drill stand and vice clean.
- 5.2. Lubricate the column and vice screw thread with a light oil.



### ENVIRONMENT PROTECTION

Recycle unwanted materials instead of disposing of them as waste. All tools, accessories and packaging should be sorted, taken to a recycling centre and disposed of in a manner which is compatible with the environment. When the product becomes completely unserviceable and requires disposal, drain any fluids (if applicable) into approved containers and dispose of the product and fluids according to local regulations.

**Note:** It is our policy to continually improve products and as such we reserve the right to alter data, specifications and component parts without prior notice.

**Important:** No Liability is accepted for incorrect use of this product.

**Warranty:** Guarantee is 12 months from purchase date, proof of which is required for any claim.

Sealey Group, Kempson Way, Suffolk Business Park, Bury St Edmunds, Suffolk. IP32 7AR



01284 757500



01284 703534



sales@sealey.co.uk



www.sealey.co.uk