



INSTRUCTIONS FOR
ANGLE GRINDER STAND
 MODEL NO: **SMS02**

Thank you for purchasing a Sealey product. Manufactured to a high standard, this product will, if used according to these instructions, and properly maintained, give you years of trouble free performance.

IMPORTANT: PLEASE READ THESE INSTRUCTIONS CAREFULLY. NOTE THE SAFE OPERATIONAL REQUIREMENTS, WARNINGS & CAUTIONS. USE THE PRODUCT CORRECTLY AND WITH CARE FOR THE PURPOSE FOR WHICH IT IS INTENDED. FAILURE TO DO SO MAY CAUSE DAMAGE AND/OR PERSONAL INJURY AND WILL INVALIDATE THE WARRANTY. KEEP THESE INSTRUCTIONS SAFE FOR FUTURE USE.



Refer to instructions



Wear eye protection



Wear protective gloves



Wear safety footwear



Wear protective clothing



Wear ear protection



Keep in dry area protect from rain



Wear a mask

1. SAFETY

- ✓ The stand is an accessory for an angle grinder and is to be used to convert the grinder to a cut off saw. Observe all grinder manufacturers safety instructions.
- ✓ The stand must be secured to a firm level surface.
- ✓ Ensure the work area is clear of debris obstructions and well lit.
- ✓ Ensure you have a stable footing (wear safety shoes) before starting to cut.
- ✓ Ensure that no flammable materials are in the area before starting work.
- ✓ Sparks from the grinder will damage paint, glass and other surfaces.
- ✗ **DO NOT** wear nylon or polyester clothing whilst cutting, wear overalls which have suitable resistance to fire.
- ✗ **DO NOT** wear loose clothing, hair jewellery etc. whilst using the grinder.
- ✓ Keep children and bystanders at a safe distance when using the tool.
- ✗ **DO NOT** use the grinder without the guard being in place. The plastic guard fitted to the stand is for the control of sparks only and is not designed to prevent parts of the cutting wheel causing injury. Use a grinder fitted with the original manufacturer's metal guard.
- ✓ During assembly ensure that the metal/plastic guards are positioned between the cutting wheel and the operator, so that if the cutting wheel breaks the debris will not hit the operator.
- ✓ Inspect the cutting wheel for damage including chips, cracks etc before each and every use.
- ✗ **DO NOT** use a damaged wheel.
- ✓ Check that all nuts, bolts and screws are tight before use, tighten as required.
- ✓ Keep the power cord for the grinder away from the cutting wheel.
- ✓ Use the support only with grinders with disc diameter 100mm, 115mm or 125mm.
- ✓ Use only cutting wheels with the grinder in this stand. **DO NOT** use wheels designed for grinding.
- ✓ Ensure the wheel is square to the base of the support.
- ✓ Ensure the material to be cut is securely held in the work clamp.
- ✗ **DO NOT** try to cut materials which are too large to be safely held by the work clamp.
- ✓ Allow the cutting wheel to come to a complete stop before attempting to remove material from the clamp.
- ✓ Always unplug the grinder before attaching it to the stand, during any maintenance, when the stand is not in use or before dismantling.



2. INTRODUCTION

Cut-off stand with solid cast-iron base for precise vertical cutting using an angle grinder. Supplied with a vice which mounts onto the base to secure the work piece. Suitable for cuts of up to 18mm. Can be used with all Sealey 100mm, 115mm and 125mm angle grinders, plus most other branded grinders of the same size.

3. SPECIFICATION

Model No SMS02
 Base Size 190 x 240mm
 Maximum Cutting Depth 18mm

4. ASSEMBLY

- 4.1. Fix stand (2) onto base (1) with washer (3) and tighten with screws (4).(fig.2.)
- 4.2. Fix the top/bottom adjusting screws (7) and (13) at the top/bottom holes of stand respectively.
- 4.3. Fix two angle grinder holders (14) and the round plastic ring (15) onto the stand by tightening the screws (5).
- 4.4. Fix the handle (10) onto the stand with the washer (21) and nut provided.
- 4.5. Fix the angle grinder onto the holders with screws (8) and nuts (9).
 There are 3 different diameters of screws (8) and nuts (9) (M6, M8, M10). Select suitable screws that match with the fixing nut of the

angle grinder. When using M6 or M8 screws, use the plastic rings on the holder first. (fig.3.)

- 4.6. Adjust the adjusting screws (7) & (13) to ensure that the cutting blade is vertical to the base and that the angle grinder is fixed securely.
- 4.7. Press down the handle and check the position of cutting blade, it should be within the cutting hole of the base. If not, loosen the screws (4) and adjust the position of the stand accordingly.
- 4.8. Fix the protective guard. (fig.4.)
- 4.9. Run the grinder for a few seconds, switch off.
- 4.10. Check that all screws, nuts and bolts are tight.

5. OPERATION

5.1. Clamp the work piece.

- 5.1.1. Rotate the screw knob (18) and loosen the clamp (23). Put work piece in the clamp and then tighten the screw to hold the work piece securely.

5.2. Adjust the position and angle of the work piece.

- 5.2.1. Loosen the screws (25) to adjust the position and angle of the clamp (24). Tighten the screws after the position has been adjusted. Ensure that the work piece is in the centre of the cutting disc.

5.3. Cutting.

- 5.3.1. Switch on the angle grinder and press down handle (10) to cut the work piece with the angle grinder.
- 5.3.2. Start cutting with slight force and apply even force during cutting.

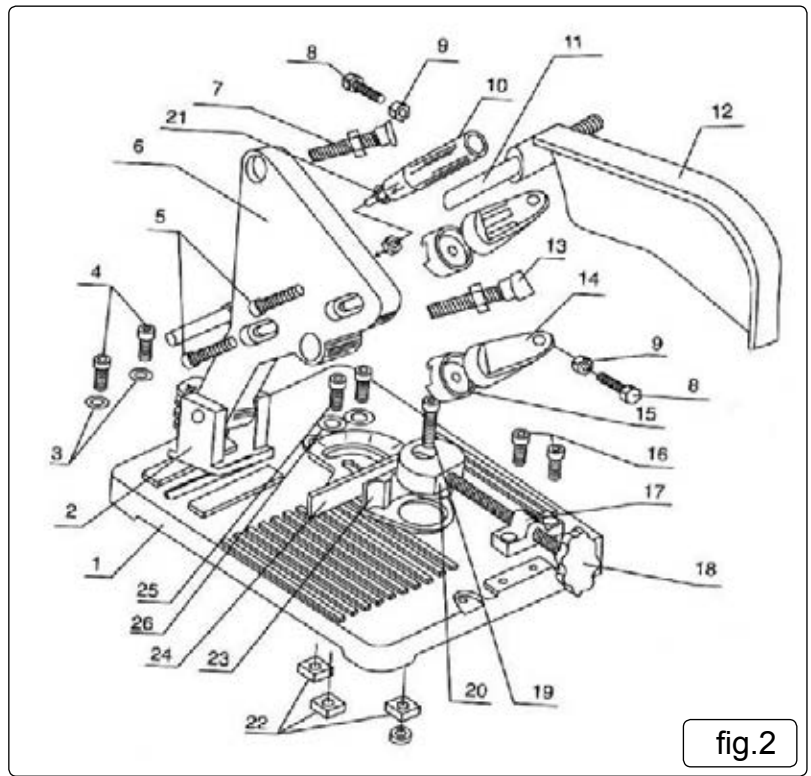


fig.2

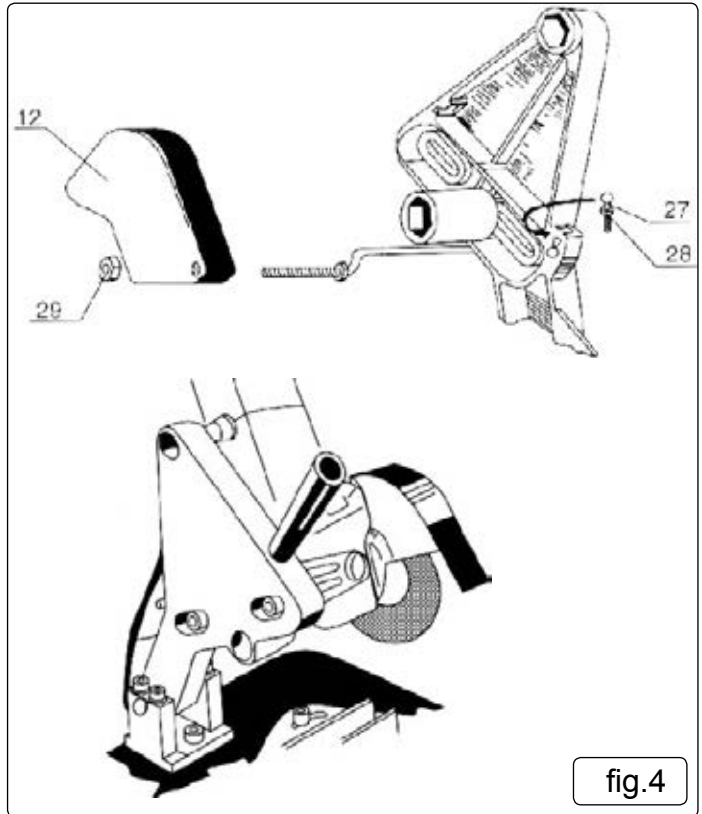


fig.4

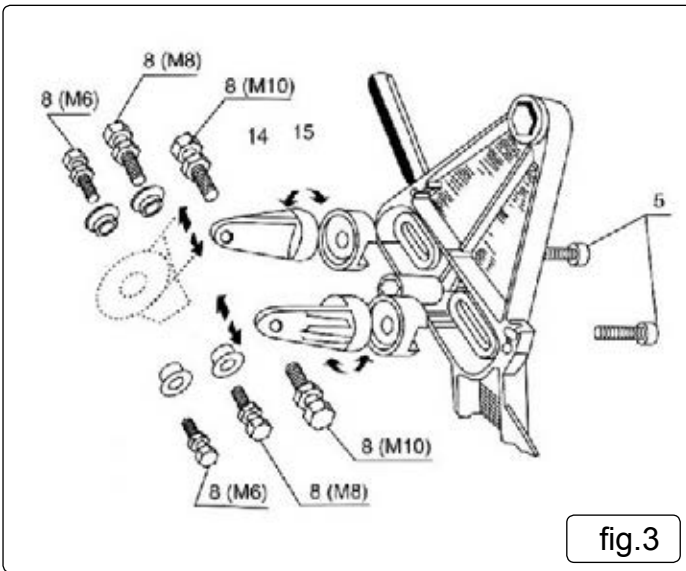


fig.3



ENVIRONMENT PROTECTION

Recycle unwanted materials instead of disposing of them as waste. All tools, accessories and packaging should be sorted, taken to a recycling centre and disposed of in a manner which is compatible with the environment. When the product becomes completely unserviceable and requires disposal, drain any fluids (if applicable) into approved containers and dispose of the product and fluids according to local regulations.

Note: It is our policy to continually improve products and as such we reserve the right to alter data, specifications and component parts without prior notice.

Important: No Liability is accepted for incorrect use of this product.

Warranty: Guarantee is 12 months from purchase date, proof of which is required for any claim.

Sealey Group, Kempson Way, Suffolk Business Park, Bury St Edmunds, Suffolk. IP32 7AR

01284 757500

01284 703534

sales@sealey.co.uk

www.sealey.co.uk