



20V Ø13MM HAMMER DRILL/DRIVER - BODY ONLY

MODEL NO: CP20VDD

Thank you for purchasing a Sealey product. Manufactured to a high standard, this product will, if used according to these instructions, and properly maintained, give you years of trouble free performance.

IMPORTANT: PLEASE READ THESE INSTRUCTIONS CAREFULLY. NOTE THE SAFE OPERATIONAL REQUIREMENTS, WARNINGS & CAUTIONS. USE THE PRODUCT CORRECTLY AND WITH CARE FOR THE PURPOSE FOR WHICH IT IS INTENDED. FAILURE TO DO SO MAY CAUSE DAMAGE AND/OR PERSONAL INJURY AND WILL INVALIDATE THE WARRANTY. KEEP THESE INSTRUCTIONS SAFE FOR FUTURE USE.



Refer to instruction manual



Wear eye protection



Wear a mask



Wear ear protection



Wear protective gloves

1. SAFETY

1.1. GENERAL POWER TOOL SAFETY WARNINGS

- WARNING!** Read all safety warnings and all instructions. Failure to follow the warnings and instructions may result in electric shock, fire and/or serious injury.
- ✓ Save all warnings and instructions for future reference.

1.2. WORK AREA SAFETY

- ✓ Keep work area clean and well lit. Cluttered or dark areas invite accidents.
- ✗ **DO NOT** operate power tools in explosive atmospheres, such as in the presence of flammable liquids, gases or dust. Power tools create sparks which may ignite the dust or fumes.
- ✓ Keep children and bystanders away while operating a power tool. Distractions can cause you to lose control.

1.3. PERSONAL SAFETY

- ✓ Stay alert, watch what you are doing and use common sense when operating a power tool. **DO NOT** use a power tool while you are tired or under the influence of drugs, alcohol or medication. A moment of inattention while operating power tools may result in serious personal injury.
- ✓ Use personal protective equipment. Always wear eye protection. Protective equipment such as dust mask, non-skid safety shoes, hard hat, or hearing protection used for appropriate conditions will reduce personal injuries.
- ✓ Prevent unintentional starting. Ensure the switch is in the off-position before connecting to power source and/or battery pack, picking up or carrying the tool.
- ✓ Carrying power tools with your finger on the switch or energising power tools that have the switch on invites accidents.
- ✓ Remove any adjusting key or wrench before turning the power tool on.
- ✗ **DO NOT** overreach. Keep proper footing and balance at all times. This enables better control of the power tool in unexpected situations.
- ✓ Dress properly. **DO NOT** wear loose clothing or jewellery. Keep your hair, clothing and gloves away from moving parts. Loose clothes, jewellery or long hair can be caught in moving parts.
- ✓ If devices are provided for the connection of dust extraction and collection facilities, ensure these are connected and properly used.

1.4. POWER TOOL USE AND CARE

- ✗ **DO NOT** force the power tool. Use the correct power tool for your application. The correct power tool will do the job better and safer at the rate for which it was designed.
- ✗ **DO NOT** use the power tool if the switch does not turn it on and off. Any power tool that cannot be controlled with the switch is dangerous and must be repaired.
- WARNING!** Disconnect the plug from the power source and/or the battery pack from the power tool before making any adjustments, changing accessories, or storing power tools.
- ✓ Store idle power tools out of the reach of children and do not allow persons unfamiliar with the power tool or these instructions to operate the power tool. Power tools are dangerous in the hands of untrained users.
- ✓ Keep drill and charger in the case and store in a safe, dry, childproof area where the temperature will not exceed 104°F (40°C).
- ✗ **DO NOT** get the drill or battery charger wet or use in damp or wet locations.
- ✓ Maintain power tools. Check for misalignment or binding of moving parts, breakage of parts and any other condition that may affect the power tool's operation. If damaged, have the power tool repaired before use. Many accidents are caused by poorly maintained power tools.
- ✓ Keep cutting tools sharp and clean. Properly maintained cutting tools with sharp cutting edges are less likely to bind and are easier to control.
- ✓ Use the power tool, accessories and tool bits etc. in accordance with these instructions, taking into account the working conditions and the work to be performed. Use of the power tool for operations different from those intended could result in a hazardous situation.

1.5. SERVICE

- ✓ Have your power tool serviced by a qualified repair person using only identical replacement parts. This will ensure that the safety of the power tool is maintained.

2. INTRODUCTION

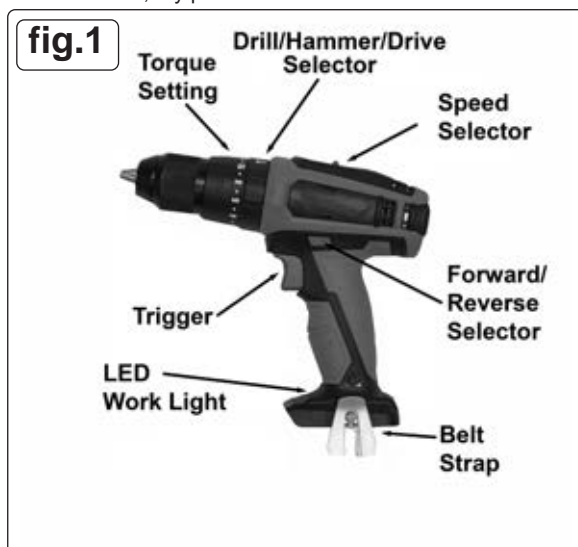
Powerful, lightweight cordless drill/driver with hammer function. Durable composite housing with soft grip for added comfort. Ø2-13mm Keyless chuck. Three drill functions and 18 torque settings provide the control required to complete various tasks. Built-in LED work light. Forward, reverse and trigger-lock. Supplied with belt hook for safer storage whilst not in use. Requires compatible 20V battery and mains charger, sold separately.

3. SPECIFICATION

Model No:CP20VDD
Battery 20V 2Ah - 6Ah Lithium-ion (not included)
Chuck size Ø13mm
Consumable parts:
CP20VBP2 - 2Ah Battery, CP20VBP4 - 4Ah Battery, CP20VBP6 - 6Ah Battery
Impact rate 0-6000bpm/0-22500bpm
Max. torque 35Nm
Noise power/pressure 97/86dB(A)
No-load speed 0-400/0-1500rpm
Replacement parts
..... CP20VMC - Mains Charger (not included)
Vibration/uncertainty.....2.546/1.5m/s²

4. OPERATION

- WARNING!** Remove battery before fitting tool or maintenance is carried out.
- 4.1. To remove the battery from the equipment, depress the spring loaded button on the battery pack. Remove the battery pack by sliding **OUT. DO NOT TOUCH THE METAL BATTERY TERMINALS.**
- 4.2. **USING THE DRILL (FIG.1)**
Ensure that you have read, understood and comply with all the safety instructions in Section 1.
- 4.2.1. Ensure the direction switch is in the mid (lock) position. Open the chuck and insert the required drill or screwdriver bit.
- 4.2.2. Select high or low speed by using the selector on top of the casing (high speed for drilling, low for hammer or screw driving).
- 4.2.3. Select the direction of rotation by means of the forward/reverse selector.
- 4.2.4. Select hammer, screw or drill by turning the selector ring.
- 4.2.5. If driving screws, set the required torque by means of the torque selector ring. Setting value 1 is the lowest torque setting.
- 4.2.6. The LED worklight is lit whenever the trigger is depressed.
- 4.2.8. When finished, remove the bit, clean the drill and bit and replace the drill in its case.
- 4.2.9. Store in a cool, dry place out of the reach of children.



5. MAINTENANCE

- WARNING!** Always disconnect from power source before carrying out any inspection, maintenance or cleaning.
- 5.1. **GENERAL INSPECTION**
 - 5.1.1. Regularly check that all the fixing screws are tight.
 - 5.1.2. Repairs should be carried out by an authorised service centre.
- 5.2. **CLEANING**
 - WARNING!** Always wear protective equipment including eye protection and gloves when cleaning this tool.
 - 5.2.1. Keep your tool clean at all times. Dirt and dust will cause internal parts to wear quickly, and shorten the device's service life.
 - 5.2.2. Clean the body of your machine with a soft brush, or dry cloth.
 - 5.2.3. Never use caustic agents to clean plastic parts. If dry cleaning is not sufficient, a mild detergent on a damp cloth is recommended.
 - 5.2.4. Water must never come into contact with the tool. Ensure the tool is thoroughly dry before using it.
 - 5.2.5. If available, use clean, dry, compressed air to blow through the ventilation holes (where applicable).
- 5.3. **LUBRICATION**
 - 5.3.1. Lightly lubricate all moving parts at regular intervals with a suitable spray lubricant.
- 5.4. **BRUSHES**
 - 5.4.1. Over time the carbon brushes inside the motor may become worn
 - 5.4.2. Excessively worn brushes may cause loss of power, intermittent failure, or visible sparking.
 - 5.4.3. If you suspect that the brushes may be worn, have them replaced at an authorised service centre.
- 5.5. **STORAGE**
 - 5.5.1. Store this tool carefully in a secure, dry place out of the reach of children.

- **WARNING!** – Risk of Hand Arm Vibration Injury.
This tool may cause Hand Arm Vibration Syndrome if its use is not managed adequately.

This tool is subject to the vibration testing section of the Machinery Directive 2006/42/EC.

This tool is to be operated in accordance with these instructions.

Measured vibration emission value (a): 2.546 m/s²

Uncertainty value (k): 1.5 m/s²

Please note that the application of the tool to a sole specialist task may produce a different average vibration emission. We recommend that a specific evaluation of the vibration emission is conducted prior to commencing with a specialist task.

A health and safety assessment by the user (or employer) will need to be carried out to determine the suitable duration of use for each tool.

NB: Stated Vibration Emission values are type-test values and are intended to be typical.

Whilst in use, the actual value will vary considerably from and depend on many factors.

Such factors include; the operator, the task and the inserted tool or consumable.

NB: ensure that the length of leader hoses is sufficient to allow unrestricted use, as this also helps to reduce vibration.

The state of maintenance of the tool itself is also an important factor, a poorly maintained tool will also increase the risk of Hand Arm Vibration Syndrome.

Health surveillance.

We recommend a programme of health surveillance to detect early symptoms of vibration injury so that management procedures can be modified accordingly.

Personal protective equipment.

We are not aware of any personal protective equipment (PPE) that provides protection against vibration injury that may result from the uncontrolled use of this tool. We recommend a sufficient supply of clothing (including gloves) to enable the operator to remain warm and dry and maintain good blood circulation in fingers etc. Please note that the most effective protection is prevention, please refer to the Correct Use and Maintenance section in these instructions. Guidance relating to the management of hand arm vibration can be found on the HSC website www.hse.gov.uk - Hand-Arm Vibration at Work.



WEEE REGULATIONS

Dispose of this product at the end of its working life in compliance with the EU Directive on Waste Electrical and Electronic Equipment (WEEE). When the product is no longer required, it must be disposed of in an environmentally protective way. Contact your local solid waste authority for recycling information.



ENVIRONMENT PROTECTION

Recycle unwanted materials instead of disposing of them as waste. All tools, accessories and packaging should be sorted, taken to a recycling centre and disposed of in a manner which is compatible with the environment. When the product becomes completely unserviceable and requires disposal, drain any fluids (if applicable) into approved containers and dispose of the product and fluids according to local regulations.

Note: It is our policy to continually improve products and as such we reserve the right to alter data, specifications and component parts without prior notice.

Important: No Liability is accepted for incorrect use of this product.

Warranty: Guarantee is 12 months from purchase date, proof of which is required for any claim.

Sealey Group, Kempson Way, Suffolk Business Park, Bury St Edmunds, Suffolk. IP32 7AR



01284 757500



01284 703534



sales@sealey.co.uk



www.sealey.co.uk