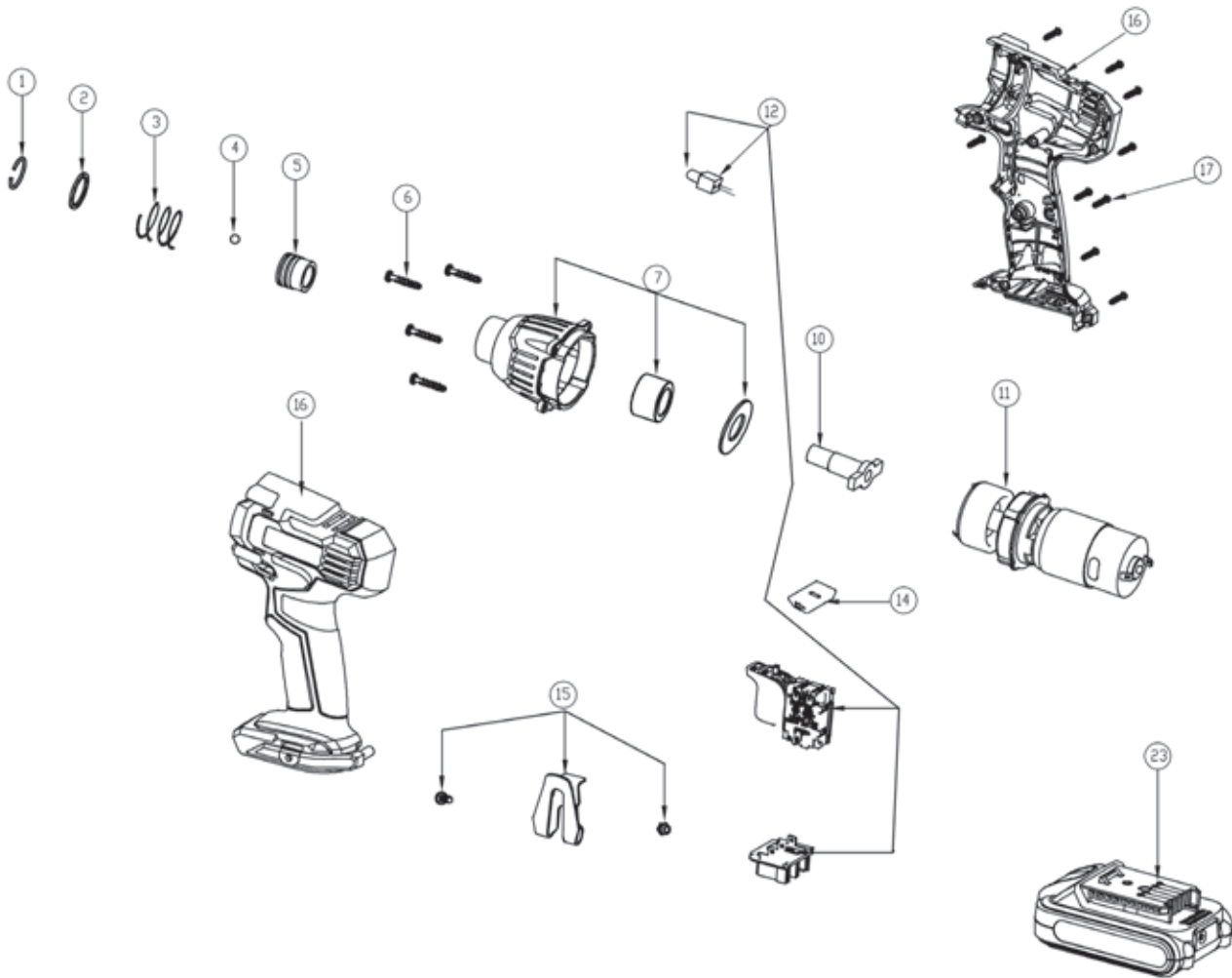




Parts Information:  
**Impact Driver 20V 1/4"Hex Drive 180Nm -  
 Body Only**  
**Model No: CP20VID**



Item	Part No.	Description
1	CP20VID.01	Snap Ring for Output Shaft
2	CP20VID.02	Washer for Output Shaft
3	CP20VID.03	Spring for Output Shaft
4	CP20VID.04	Steel Ball
5	CP20VID.05	Locking Sleeve
6	CP20VID.06	Front Casing Screw
7	CP20VID.07	Front Casing (c/w Bush and O-ring)
10	CP20VID.10	Output Shaft
11	CP20VID.11	Gearbox Ass'y
12	CP20VID.12	Switch Assembly
14	CP20VID.14	Reversing Bar

Item	Part No.	Description
15	CP20VID.15	Belt Hook Assembly
16	CP20VID.16	Casing Complete
17	CP20VID.17	Casing Screw
23	CP20VBP	Power Tool Battery 20V 3Ah Li-ion for CP20V Series (NOT SUPPLIED)
--	CP20VBP2	Power Tool Battery 20V 2Ah Lithium-ion for CP20V Series (NOT SUPPLIED)
--	CP20VBP4	Power Tool Battery 20V 4Ah Lithium-ion for CP20V Series (NOT SUPPLIED)
--	CP20VMC	Battery Charger 20V Lithium-ion for CP20V Series (NOT SUPPLIED)

**NOTE:** It is our policy to continually improve products and as such we reserve the right to alter data, specifications and component parts without prior notice.

**IMPORTANT:** No liability is accepted for incorrect use of product.

**WARRANTY:** Guarantee is 12 months from purchase date, proof of which will be required for any claim.

**Sealey Group**, Kempson Way, Suffolk Business Park, Bury St Edmunds, Suffolk. IP32 7AR



01284 757500



01284 703534



sales@sealey.co.uk



www.sealey.co.uk