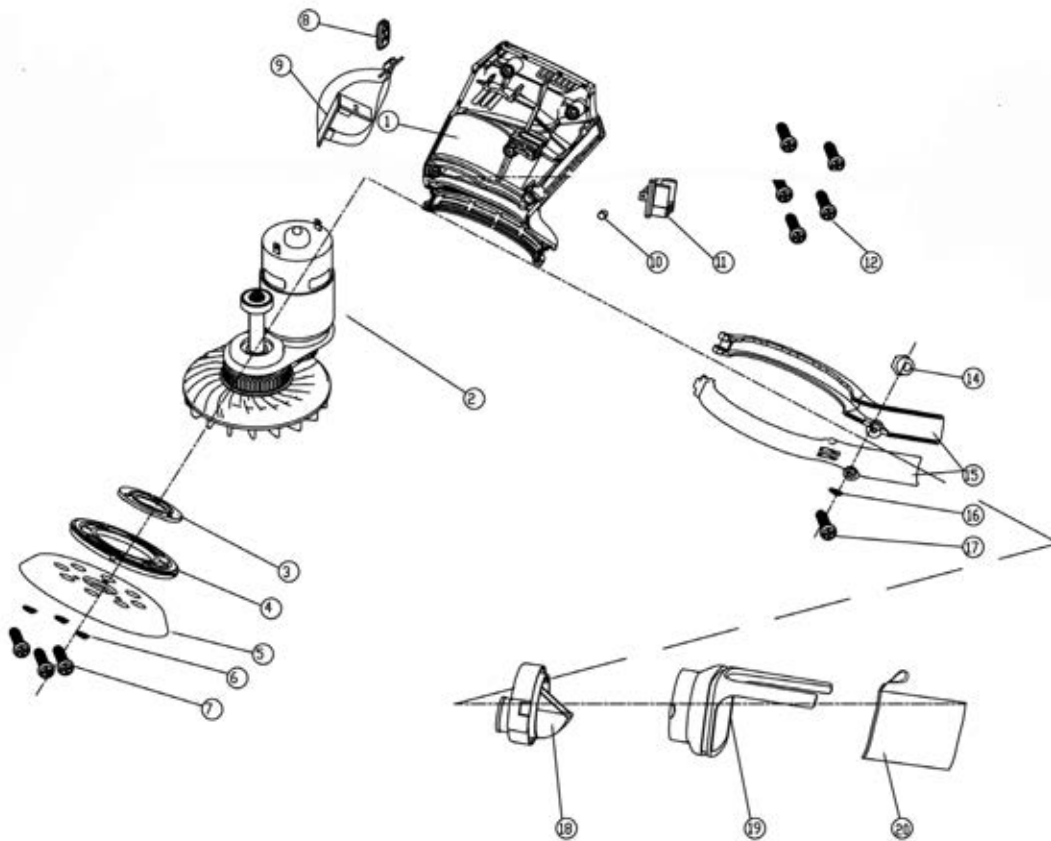




Parts Information:
Orbital Palm Sander 20V 125mm - Body Only
Model No: CP20VOS



Item	Part No.	Description
1	CP20VOS.01	Casing Complete
2	CP20VOS.02	Gearbox
3	CP20VOS.03	Fixed Plate
4	CP20VOS.04	Bearing Support Ring
5	CP20VOS.05	Ø125mm hook-and-loop backing pad
6	CP20VOS.06	Spring Washer
7	CP20VOS.07	Screw
8	CP20VOS.08	Switch Button
9	CP20VOS.09	PCB
10	CP20VOS.10	Rubber Pin
11	CP20VOS.11	Battery Contact Plate
12	CP20VOS.12	Screw
--	CP20VBP	Power Tool Battery 20V 3Ah Li-ion for CP20V Series (NOT SUPPLIED)

Item	Part No.	Description
--	CP20VBP2	Power Tool Battery 20V 2Ah Lithium-ion for CP20V Series (NOT SUPPLIED)
--	CP20VBP4	Power Tool Battery 20V 4Ah Lithium-ion for CP20V Series (NOT SUPPLIED)
14	CP20VOS.14	Nut
15	CP20VOS.15	Dust Cover Support Left & Right
16	CP20VOS.16	Spring Washer
17	CP20VOS.17	Screw
18	CP20VOS.18	Dust Cover
19	CP20VOS.19	Dust Bag Support
20	CP20VOS.20	Dust Bag
--	CP20VMC	Battery Charger 20V Lithium-ion for CP20V Series (NOT SUPPLIED)

NOTE: It is our policy to continually improve products and as such we reserve the right to alter data, specifications and component parts without prior notice.

IMPORTANT: No liability is accepted for incorrect use of product.

WARRANTY: Guarantee is 12 months from purchase date, proof of which will be required for any claim.

Sealey Group, Kempson Way, Suffolk Business Park, Bury St Edmunds, Suffolk. IP32 7AR



01284 757500



01284 703534



sales@sealey.co.uk



www.sealey.co.uk