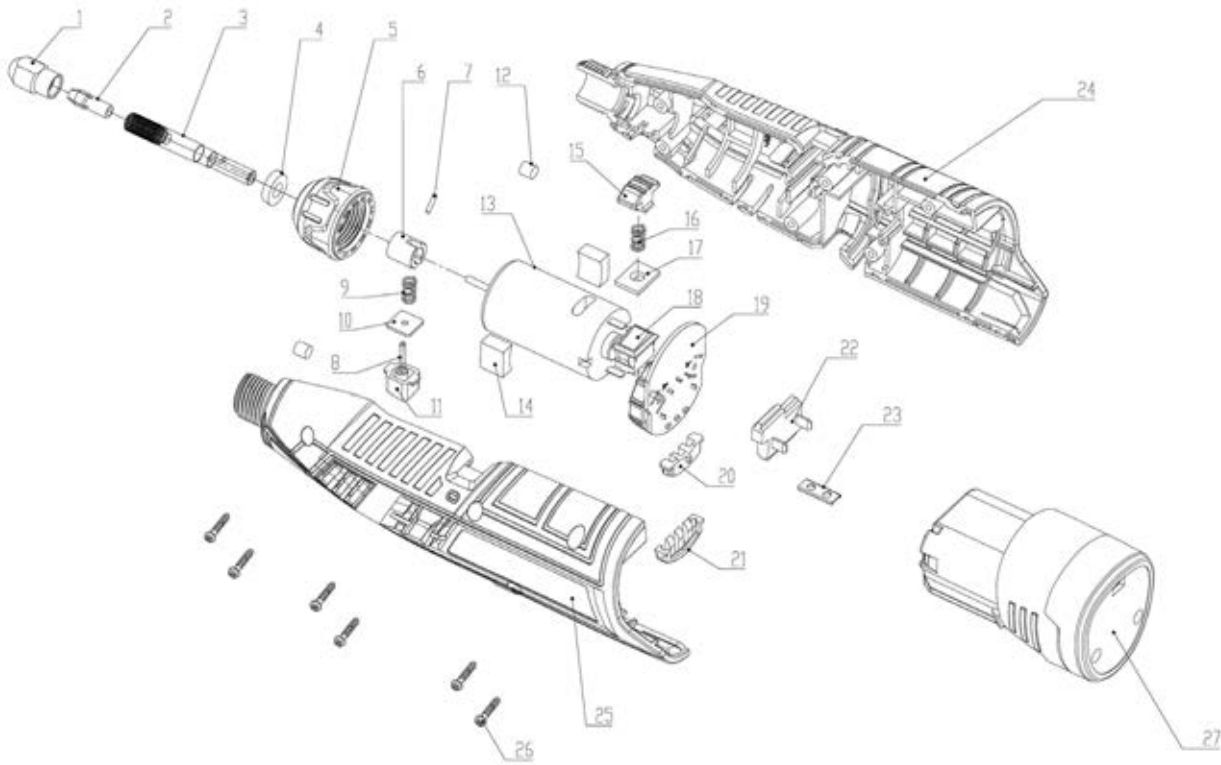




Parts Information:
Cordless Rotary Tool & Engraver Kit 49pc
12V - Body Only
Model No: CP1207



Item	Part No.	Description
1	CP1207.01	Collet Nut
2	CP1207.02	Collet
3	CP1207.03	Collet Clamping Sleeve
4	B/696ZZ	Bearing 696zz
5	CP1207.05	Front Cover (Plastic)
6	CP1207.06	Sprindle Lock
7	CP1207.07	Sprindle Lock Pin
8	CP1207.08	Lock Button Pin
9	CP1207.09	Compressed Spring
10	CP1207.10	Lock Button Plate
11	CP1207.11	Lock Button
12	CP1207.12	Shock Absorber
13	CP1207.13	Motor
14	CP1207.14	Motor Protection
15	CP1207.15	Speed Selector Button
16	CP1207.16	Speed Selector Button Spring
17	CP1207.17	Speed Selector Button Plate

Item	Part No.	Description
18	CP1207.18	Speed Switch / Speed Switch
19	CP1207.19	Speed Switch Protection
20	CP1207.20	Power Disply Support
21	CP1207.21	Power Display Cover
22	CP1207.22	Battery Connect Plate
23	CP1207.23	Connection Plate
24	CP1207.24	Casing, Right Side
25	CP1207.25	Casing, Left Side
26	CP1207.26	Tapping Screw
27	CP1207.27	Tips Set
--	CP1207.28	Grinding Wheel (NOT SHOWN)
--	CP1207.29	Sanding Disc Set (NOT SHOWN)
--	CP1207.30	Dressing Stone (NOT SHOWN)
--	CP1207.31	Chuck Spanner (NOT SHOWN)
--	CP1200BP	Power Tool Battery 12V 1.5Ah Li-ion for CP1200 Series (NOT SUPPLIED)
--	CP1200MC	Battery Charger 12V Lithium-ion 1 Hour for CP1200BP (NOT SUPPLIED)

NOTE: It is our policy to continually improve products and as such we reserve the right to alter data, specifications and component parts without prior notice.

IMPORTANT: No liability is accepted for incorrect use of product.

WARRANTY: Guarantee is 12 months from purchase date, proof of which will be required for any claim.

Sealey Group, Kempson Way, Suffolk Business Park, Bury St Edmunds, Suffolk. IP32 7AR



01284 757500



01284 703534



sales@sealey.co.uk



www.sealey.co.uk