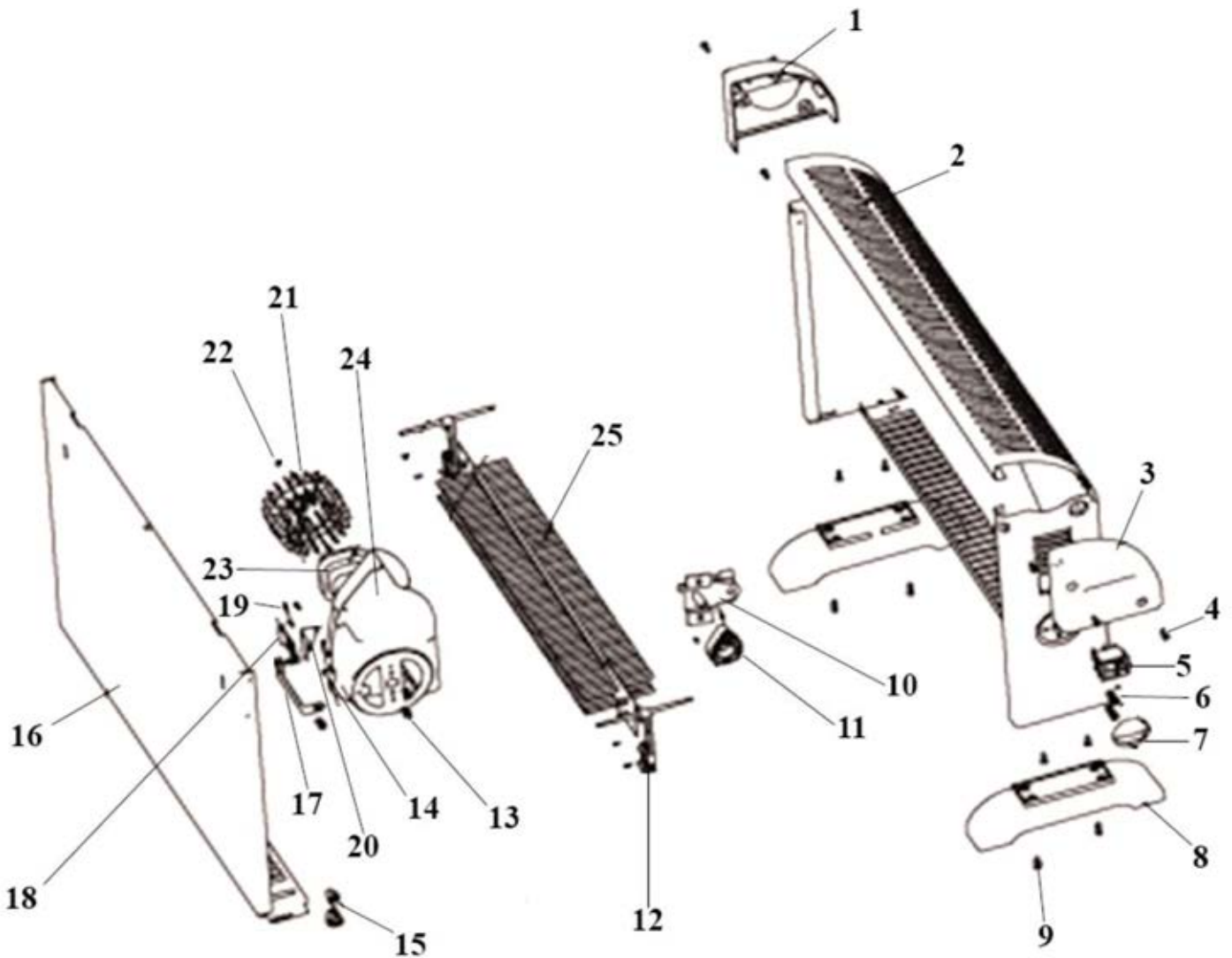




Parts Information:
Convecter Heater 2000W 3 Heat Settings
Thermostat Turbo Fan
Model No: CD2005T.V3



Item	Part No.	Description
1	CD2005TT.01	Right Handle
2	CD2005T.V2-02	Front Cover
3	CD2005TT.03	Left Handle
4	CD2005T.V2-04	Screw (4x10)
5	CD2005T.V2-05	Power Switch
6	CD2005T.V2-06	Screw (m4x16)
7	CD2005T.V2-07	Knob
8	CD2005T.V2-08	Foot
9	CD2005T.V2-09	Screw (4x12)
10	CD2005T.V2-10	Thermostat
11	CD2005T.V2-11	Thermostat Block
12	CD2005T.V2-12	Heating Element Bracket
13	CD2005T.V2-13	Screw (m4x10)

Item	Part No.	Description
14	SN3.S	Steel Nut M3 Zinc Din934 (Single)
15	CD2005T.V2-15	Cord Grip
16	CD2005T.V2-16	Rear Cover
17	CD2005T.V2-17	Bracket (A)
18	CD2005T.V2-18	Bracket (B)
19	SN3.S	Steel Nut M3 Zinc Din934 (Single)
20	CD2005T.V2-20	Bracket (C)
21	CD2005T.V2-21	Fan Blade
22	SN4.S	Steel Nut M4 Zinc Din934 (Single)
23	CD2005TT.32	Fan Motor (Internal 230V 750/1250)
24	CD2005TT.33	Motor Cover
25	CD2005TT.34	Heating Element

NOTE: It is our policy to continually improve products and as such we reserve the right to alter data, specifications and component parts without prior notice.

IMPORTANT: No liability is accepted for incorrect use of product.

WARRANTY: Guarantee is 12 months from purchase date, proof of which will be required for any claim.

Sealey Group, Kempson Way, Suffolk Business Park, Bury St Edmunds, Suffolk. IP32 7AR



01284 757500



01284 703534



sales@sealey.co.uk



www.sealey.co.uk