



Parts Information:
Magnetic Drilling Machine 35mm
Model No: MAG110V & MAG230V

Item	Part No.	Description
1	MAG230V.B01	Coolant Tank
2	MAG230V.B02	Coolant Bracket
3	SN6.S	Steel Nut M6 Zinc Din934 (Single)
4	MAG230V.B04	Coolant Tap 1/4"-6mm
5	MAG230V.B05	Water Pipe (6x4)
6	MAG230V.B06	Pipe Connector 'Elbow' (M6)
7	SS616.S	Hex Head Set Screw M6x16mm Single
8	MAG230V.B08	Aluminium Plate
9	MAG230V.B09	Gear Rack (10x16x180mm)
10	SN5.S	Steel Nut M5 Zinc Din934 (Single)
11	MSP38.S	Machine Screw Pan Head Phillips M3x8mm (Single)
12	MAG230V.B12	Round Pin (3x8mm)
13	MAG230V.B13	Tracking Bar
14	MAG230V.B14	Upright Bracket
15	MAG230V.B15	Adjustment Bar
16	MAG230V.B16	Bubble Level (13x6mm)
17	MAG230V.B17	Screw Pan Head M5x20mm
18	MAG230V.B18	Flat Bar for Upright Bracket
19	MAG230V.B19	E-Ring 15mm
20	MAG230V.B20	Gasket (17x30x0.5mm)
21	B.6903	Bearing 6903
22	MAG230V.B22	Ext Circlip 18mm
23	MAG230V.B23	Gear for Lift Shaft
24	MAG230V.B24	Composite Bearing (25x30mm)
25	MAG230V.B25	Lifting Shaft
26	MAG230V.B26	Woodruff Key (5x14mm)
27	MAG230V.B27	Lifting Shaft Handle
28	MAG230V.B28	Lifting Shaft Handle Grip
29	MAG230V.B29	Pipe Connector (M12x1.5)
30	MAG230V.B30	Threaded Knob Screw M5x12

Item	Part No.	Description
31	FWM4.S	Flat Washer M4 Single
32	SWM4.S	Spring Washer M4 (Single)
33	MAG230V.B33	Wire Connector
34	MSP48.S	Machine Screw Pan Head Phillips M4x8mm (Single)
36	MAG230V.B36	Cable Sleeve
37	MAG230V.B37	Nameplate Bracket
38	MAG230V.B38	Nameplate
39	MSP36.S	Machine Screw Pan Head Phillips M3x6mm (Single)
40	MAG110V.B40	Power Switch (for MAG110V only)
--	MAG230V.B40	Power Switch (for MAG230V only)
41	MAG110V.B41	Magnet Switch (for MAG110V only)
--	MAG230V.B41	Magnet Switch (for MAG230V only)
42	MAG110V.B42	Fuse (for MAG110V only)
--	MAG230V.B42	Fuse (for MAG230V only)
43	MAG110V.B43	Circuit Board (for MAG110V only)
--	MAG230V.B43	Circuit Board (for MAG230V only)
44	MAG230V.B44	Circuit Board Bracket
45	MSP410.S	Machine Screw Pan Head Phillips M4x10mm (Single)
46	MSP38.S	Machine Screw Pan Head Phillips M3x8mm (Single)
47	MSP38.S	Machine Screw Pan Head Phillips M3x8mm (Single)
48	SCB655.SB	Socket Cap Bolt Black M6x55
49	MAG110V.B49	Magnet Base (for MAG110V only)
--	MAG230V.B49	Magnet Base (for MAG230V only)
50	SCB620.SB	Socket Head Cap Screw M6x20 Black
51	MAG110V.B51	Nameplate (for MAG110V only)
--	MAG230V.B51	Nameplate (for MAG230V only)

NOTE: It is our policy to continually improve products and as such we reserve the right to alter data, specifications and component parts without prior notice.

IMPORTANT: No liability is accepted for incorrect use of product.

WARRANTY: Guarantee is 12 months from purchase date, proof of which will be required for any claim.

Sealey Group, Kempson Way, Suffolk Business Park, Bury St Edmunds, Suffolk. IP32 7AR



01284 757500



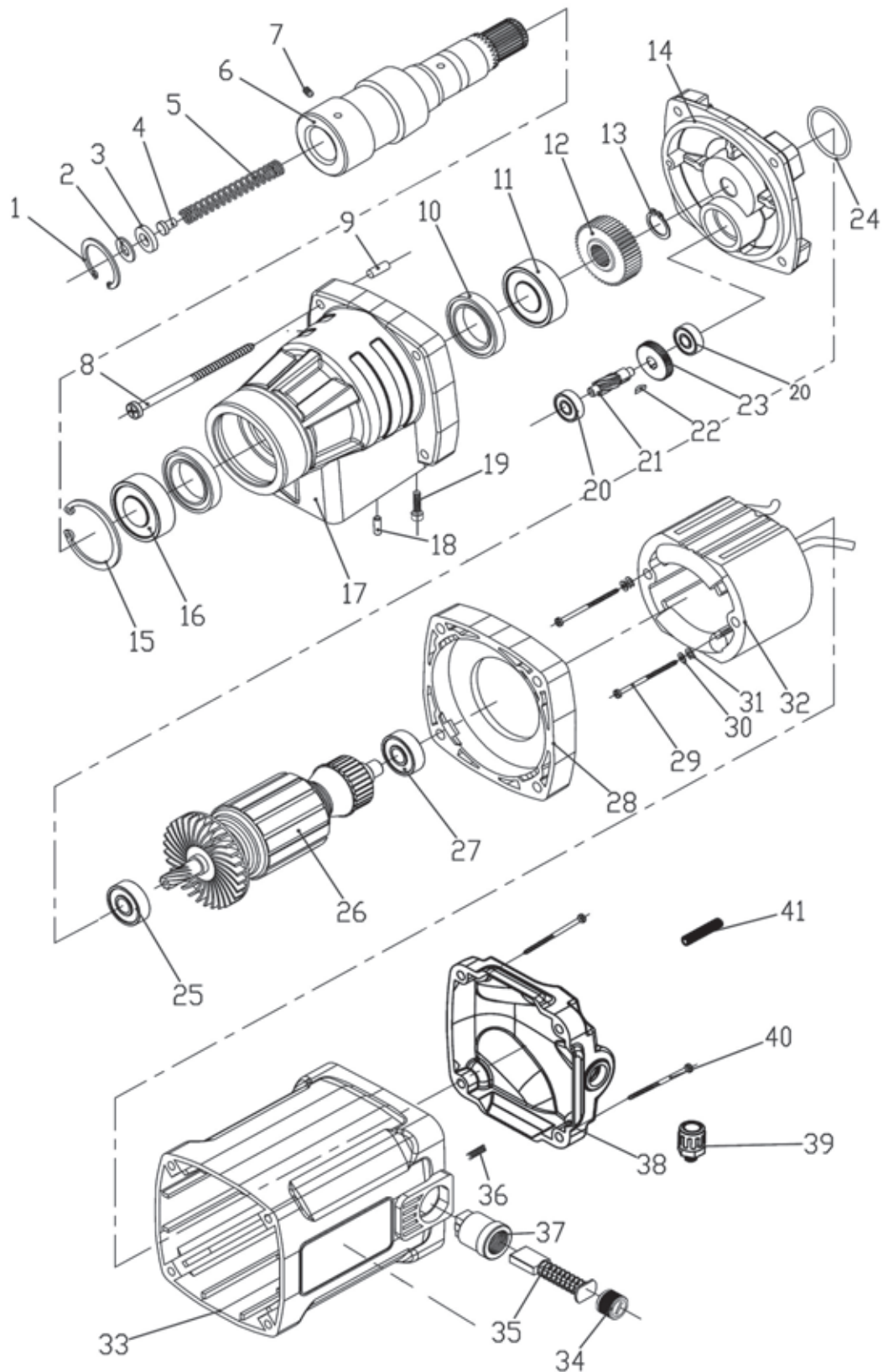
01284 703534



sales@sealey.co.uk



www.sealey.co.uk



NOTE: It is our policy to continually improve products and as such we reserve the right to alter data, specifications and component parts without prior notice.

IMPORTANT: No liability is accepted for incorrect use of product.

WARRANTY: Guarantee is 12 months from purchase date, proof of which will be required for any claim.



Parts Information:
Magnetic Drilling Machine 35mm
Model No: MAG110V & MAG230V

Item	Part No.	Description
1	MAG230V.M01	Int Circlip 19mm
2	MAG230V.M02	Gasket
3	MAG230V.M03	Plastic Gasket
4	MAG230V.M04	Key for Spring
5	MAG230V.M05	Spring for Spindle
6	MAG230V.M06	Spindle
7	GSM1012.S	Grub Screw M10 x 12
8	MAG230V.M08	Screw Pan Head M5x55mm
9	MAG230V.M09	Round Pin (4x12)
10	MAG230V.M10	Oil Seal (22x32x7mm)
11	B.6904	Bearing 6904
12	MAG230V.M12	Spindle Gear (13-3)
13	MAG230V.M13	Ext Circlip 17mm
14	MAG230V.M14	Middle Cover
15	MAG230V.M15	Int Circlip 42mm
16	B.6905	Bearing 6905
17	MAG230V.M17	Gearbox
18	MAG230V.M18	Round Pin (5x15)
19	SCB520.SB	Socket Head Cap Screw M5x20 Black
20	B/608ZZ	Bearing 608ZZ
21	MAG230V.M21	Gear Shaft
22	MAG230V.M22	Woodruff Key (9x3x4mm)
23	MAG230V.M23	Gear
24	MAG230V.M24	O-Ring (25.8x1.8mm)
25	B/6000-2RS	Bearing 6000-2RS
26	MAG110V.M26	Armature 230V (for MAG110V only)
--	MAG230V.M26	Armature 230V (for MAG230V only)
27	B/608ZZ	Bearing 608ZZ

Item	Part No.	Description
28	MAG230V.M28	Support Guide
29	MAG230V.M29	Screw Pan Head M4x65mm
30	FWM4.S	Flat Washer M4 Single
31	SWM4.S	Spring Washer M4 (Single)
32	MAG110V.M32	Field Coil 110V (for MAG110V only)
--	MAG230V.M32	Field Coil 230V (for MAG230V only)
33	MAG110V.M33	Field Coil Cover (for MAG110V only)
--	MAG230V.M33	Field Coil Cover (for MAG230V only)
34	MAG230V.M34	Carbon Brush Cover
35	MAG230V.M35	Carbon Brush
36	GSM55.S	Grub Screw M5x5 (Single)
37	MAG230V.M37	Carbon Brush Holder
38	MAG230V.M38	Top Cover
39	MAG230V.M39	Pipe Connector (M12x1.5)
40	MAG230V.M40	Screw Pan Head M5x25mm
41	MAG230V.M41	PE Pipe (AD 10x410)
--	MAGC12	HSS Magnetic Drill Cutter 12mm (not shown)
--	MAGC13	HSS Magnetic Drill Cutter 13mm (not shown)
--	MAGC14	HSS Magnetic Drill Cutter 14mm (not shown)
--	MAGC16	HSS Magnetic Drill Cutter 16mm (not shown)
--	MAGC18	HSS Magnetic Drill Cutter 18mm (not shown)
--	MAGC20	HSS Magnetic Drill Cutter 20mm (not shown)
--	MAGC22	HSS Magnetic Drill Cutter 22mm (not shown)
--	MAGC24	HSS Magnetic Drill Cutter 24mm (not shown)
--	MAGC25	HSS Magnetic Drill Cutter 25mm (not shown)
--	MAGC.P	Pilot Pin for Magnetic Drill Cutter 6.35 x 80mm (not shown)

NOTE: It is our policy to continually improve products and as such we reserve the right to alter data, specifications and component parts without prior notice.

IMPORTANT: No liability is accepted for incorrect use of product.

WARRANTY: Guarantee is 12 months from purchase date, proof of which will be required for any claim.

Sealey Group, Kempson Way, Suffolk Business Park, Bury St Edmunds, Suffolk. IP32 7AR



01284 757500



01284 703534



sales@sealey.co.uk



www.sealey.co.uk