

Item	Part No.	Description
1	181.4820920	Side Guard
2	181.4580540	Left Side Bracket (for Crank)
3	181.4101680	Crank Side Plate
4	181.4102120	Centre Support
5	181.4580550	Right Side Bracket (for crank)
6	181.4101750	Centre Crank Pin
7	181.4101660	Crank Handle
8	181.4101673	Crank Handle Knob
9	181.3082130	Water Coupling
10	181.4580530	Lower Front Guard
11	181.4580520	Upper Front Guard
12	181.4580800	Plug Cap
13	181.4580670	Knob

Item	Part No.	Description
14	181.4381640	Rubber Foot
15	181.4580630	Lock Button
16	181.4580500	Front Casing
17	181.4580590	Accessories Carrier
18	181.4580640	Front Casing (for Electric Pump)
19	181.4580660	Cable Gland
20	181.4580840	Top Cover Guard
21	181.4580900	Suction Kit
22	181.4380180	Guard
23	181.4580910	Delivery Kit
24	181.4580650	Back Casing (for Electric Pump)
25	181.4580870	Rubber Protection (for Back Casing Electric Pump)

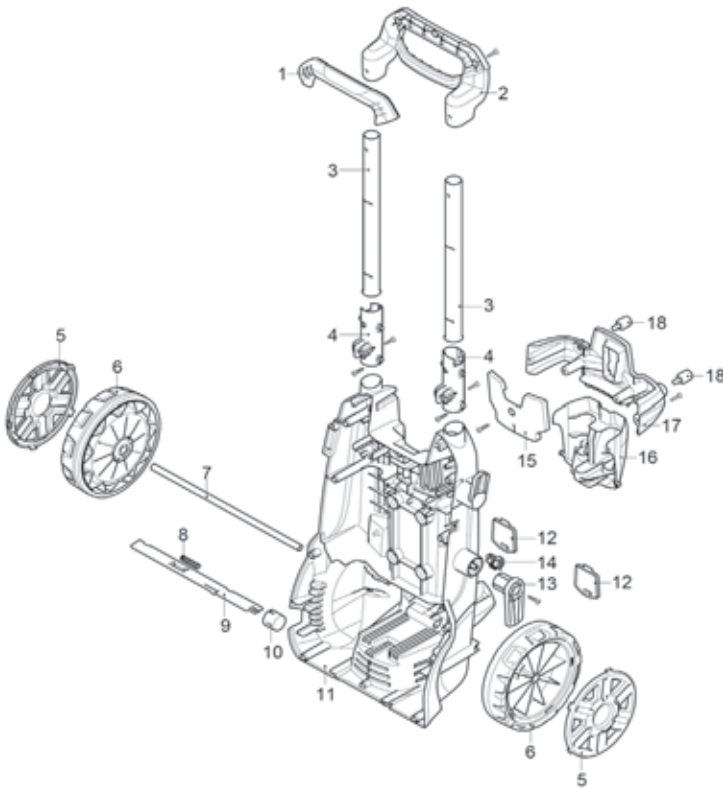
NOTE: It is our policy to continually improve products and as such we reserve the right to alter data, specifications and component parts without prior notice.

IMPORTANT: No liability is accepted for incorrect use of product. Spare parts must be fitted by a competent person

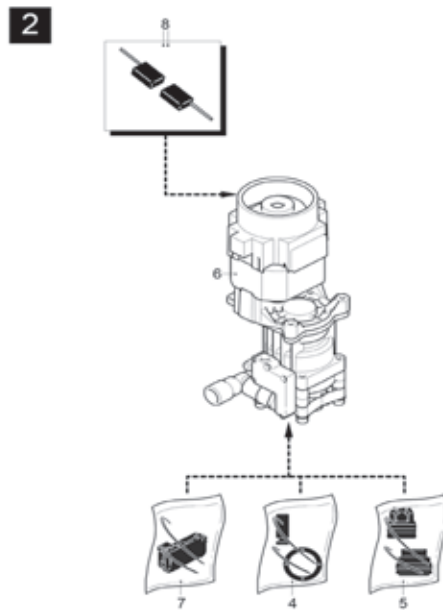
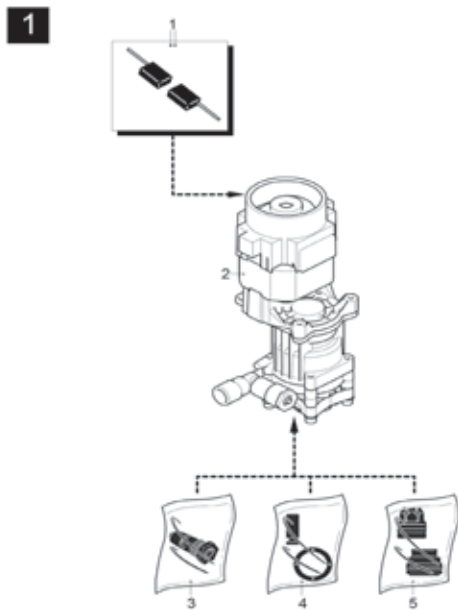
WARRANTY: Guarantee is 12 months from purchase date, proof of which will be required for any claim.



Parts Information:
**Pressure Washer 150bar 810ltr/hr Twin
 Flow 230V**
Model No: PWTF2200



Item	Part No.	Description
1	181.4580610	Front Cover (for Handle)
2	181.4580600	Handle
3	181.4580770	Upright Pole
4	181.4821080	Upright Support
5	181.4381111	Wheel Guard
6	181.4301100	Wheel
7	181.4580880	Wheel Axle
8	181.4821020	Spring
9	181.4821110	Hook
10	181.4220271	Lever
11	181.4580560	Back Casing
12	181.4580570	Cover
13	181.4220280	Accessories Carrier
14	181.4100180	Lever
15	181.4580780	Guard
16	181.4580760	Accessory Holder, Lower
17	181.4580620	Accessory Holder, Upper
18	181.2180300	Rubber Foot Protection



Item	Part No.	Description
1	181.3480170	Brush Kit for Motor (A)
2	181.4580960	Electric Pump Assembly (A)
3	181.4580950	TSS Plug Kit
4	181.3480150	Piston & Seals Kit

Item	Part No.	Description
5	181.3480140	Valves & Seals Kit
6	181.4580970	Electric Pump Assembly (B)
7	181.4580940	TSS Kit
8	181.3082580	Brush Kit for Motor (B)

NOTE: It is our policy to continually improve products and as such we reserve the right to alter data, specifications and component parts without prior notice.

IMPORTANT: No liability is accepted for incorrect use of product. Spare parts must be fitted by a competent person

WARRANTY: Guarantee is 12 months from purchase date, proof of which will be required for any claim.

Sealey Group, Kempson Way, Suffolk Business Park, Bury St Edmunds, Suffolk. IP32 7AR



01284 757500



01284 703534

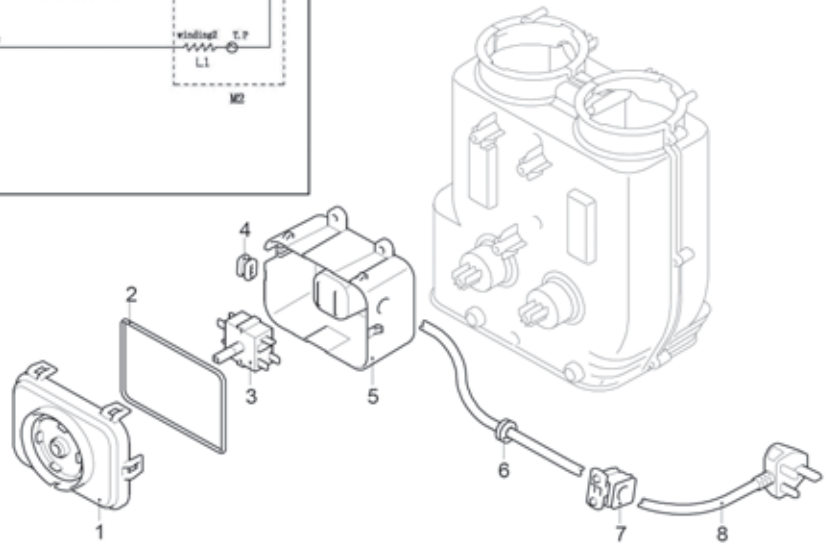
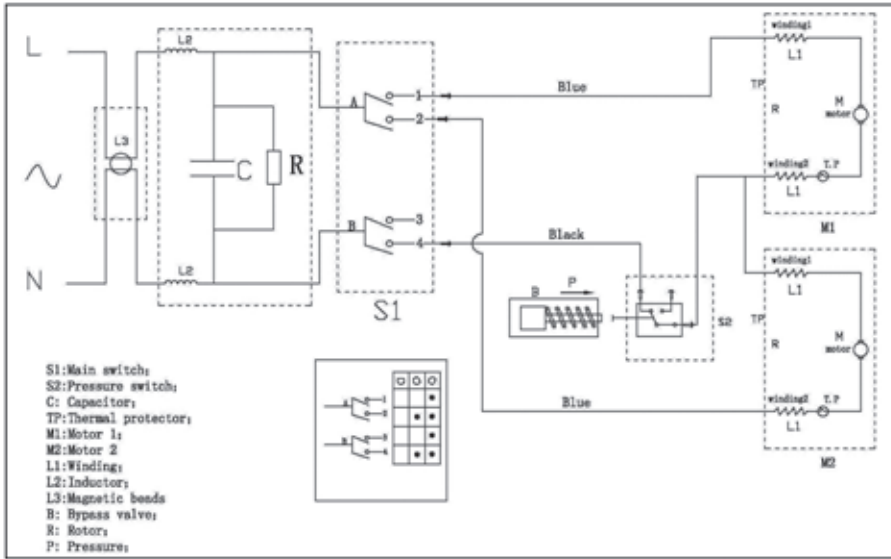


sales@sealey.co.uk



www.sealey.co.uk

Parts Information:
**Pressure Washer 150bar 810ltr/hr Twin
 Flow 230V**
Model No: PWTF2200



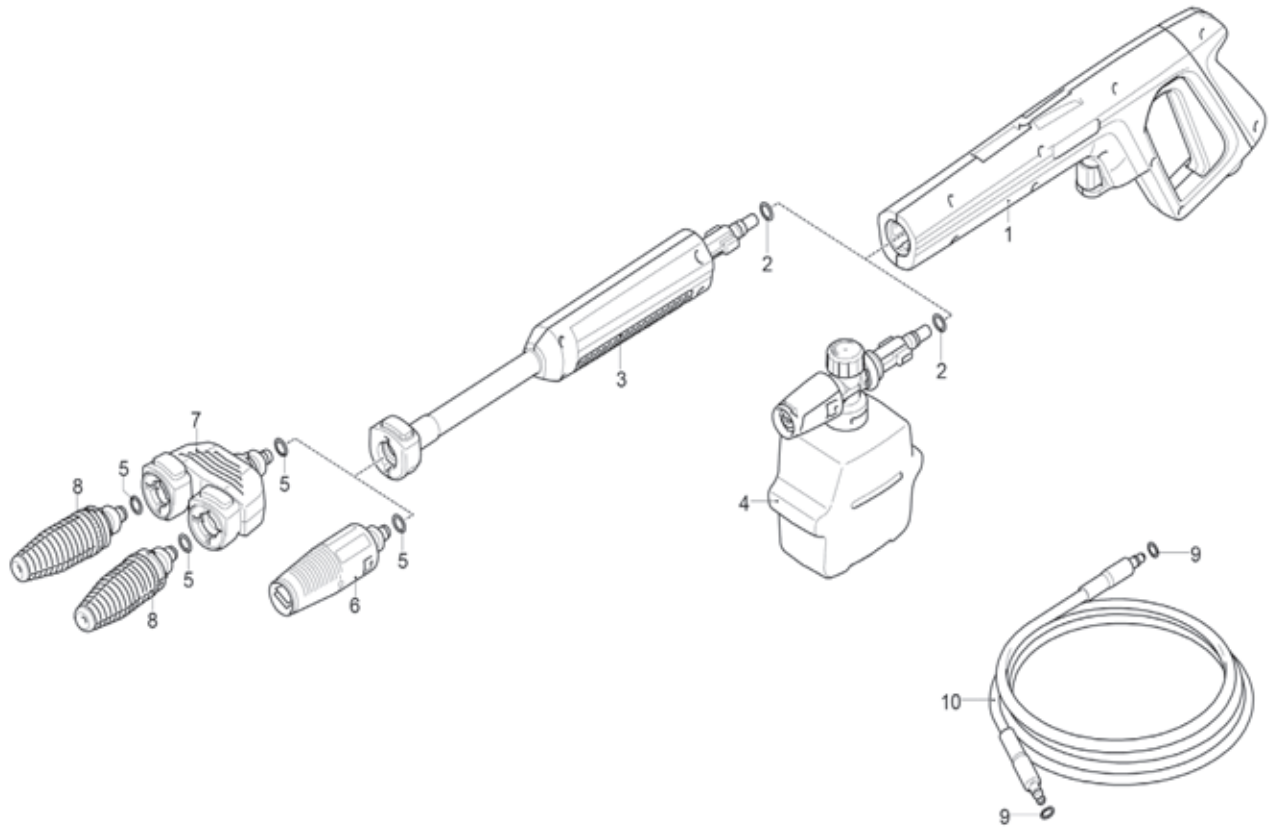
Item	Part No.	Description
1	181.4380840	Top Cover
2	181.2180670	Seal for Top Cover
3	181.4580050	Switch
4	181.4580660	Gland

Item	Part No.	Description
5	181.4580680	Switch Box
6	181/2021480	Gland
7	181.3080580	Cable Gland
8	181.4581050	Power Cable

NOTE: It is our policy to continually improve products and as such we reserve the right to alter data, specifications and component parts without prior notice.

IMPORTANT: No liability is accepted for incorrect use of product. Spare parts must be fitted by a competent person

WARRANTY: Guarantee is 12 months from purchase date, proof of which will be required for any claim.



Item	Part No.	Description
1	181.4381482	Pressure Gun
2	181.3083700	O-Ring
3	181.4381492	Extension Lance
4	181.4580980	Soap Tank
5	181.3083370	O-Ring

Item	Part No.	Description
6	181.4581000	Lance Nozzle
7	181.4581010	Lance Nozzle Holder
8	181.4580990	Rotablast Nozzle
9	181.3083400	O-Ring
10	181.4581030	High Pressure Hose

NOTE: It is our policy to continually improve products and as such we reserve the right to alter data, specifications and component parts without prior notice.

IMPORTANT: No liability is accepted for incorrect use of product. Spare parts must be fitted by a competent person

WARRANTY: Guarantee is 12 months from purchase date, proof of which will be required for any claim.