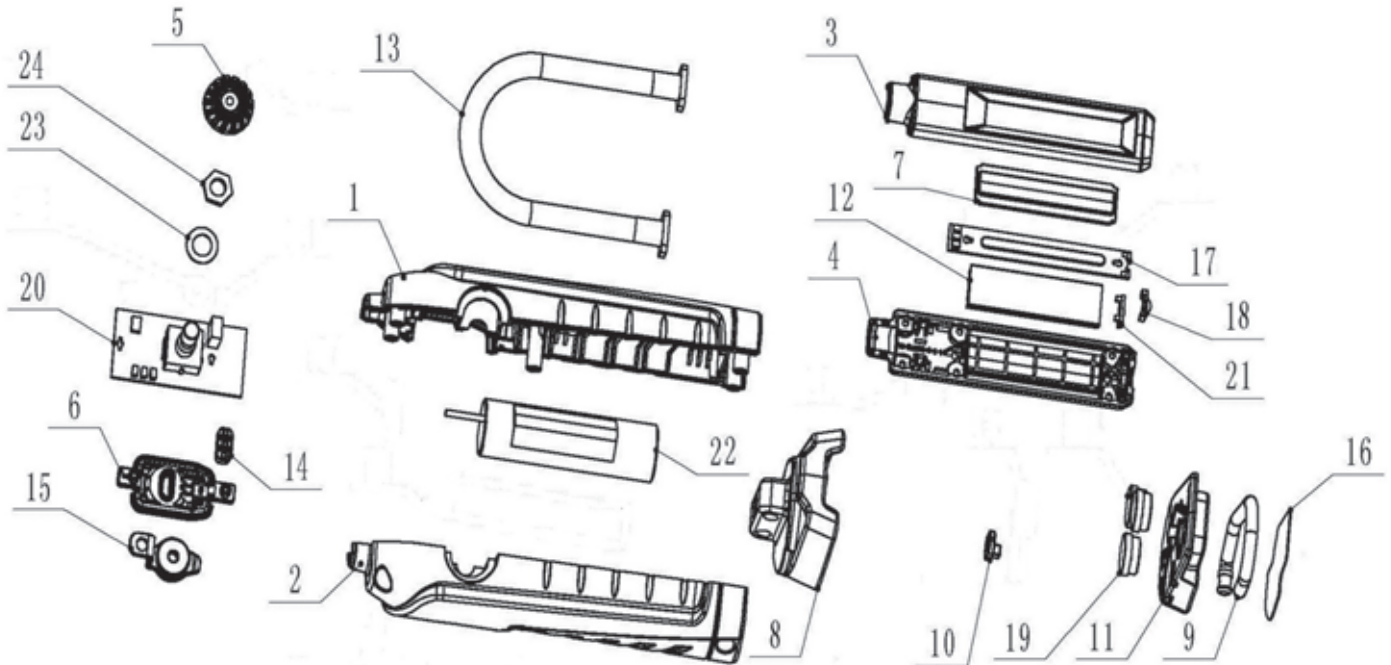


Parts Information:  
**Flexi Rechargeable Green Inspection  
 Lamp Li-ion 1 COB + 1 LED**  
**Model No: LEDFLEXG**



Item	Part No.	Description
1	LEDFLEXG.01	Left Side Housing
2	LEDFLEXG.02	Right Side Housing
3	LEDFLEXG.03	Front Base for COB
4	LEDFLEXG.04	Back Case COB
5	LEDFLEXG.05	Mode Selector Knob
6	LEDFLEXG.06	Battery Level Indicator
7	LEDFLEXG.07	Plastic Reflector
8	LEDFLEXG.08	Nylon Base
9	LEDFLEXG.09	Nylon Hook
10	LEDFLEXG.10	Hook Plate
11	LEDFLEXG.11	Base for Magnet
12	LEDFLEXG.12	COB Board
13	LEDFLEXG.13	Flexible Neck

Item	Part No.	Description
14	LEDFLEXG.14	Indicator Support
15	LEDFLEXG.15	Charging Socket Cover
16	LEDFLEXG.16	Bottom Sticker
17	LEDFLEXG.17	COB
18	LED3604.17	Head LED Lens
19	LEDFLEXG.19	Magnet
20	LEDFLEXG.20	PCB
21	LED3604.15	Head Led PCB
22	LED3604.30	Battery, 3.7v, 2.6ah/9.6wh (Li-Ion)(H:65 W:19)
23	LED3604.29	Washer 11mm
24	SN5.S	Steel Nut M5 Zinc
--	LED3602G.41	Micro USB with 5pin Cable ( <b>not shown</b> )

**NOTE:** It is our policy to continually improve products and as such we reserve the right to alter data, specifications and component parts without prior notice.

**IMPORTANT:** No liability is accepted for incorrect use of product. Spare parts must be fitted by a competent person

**WARRANTY:** Guarantee is 12 months from purchase date, proof of which will be required for any claim.