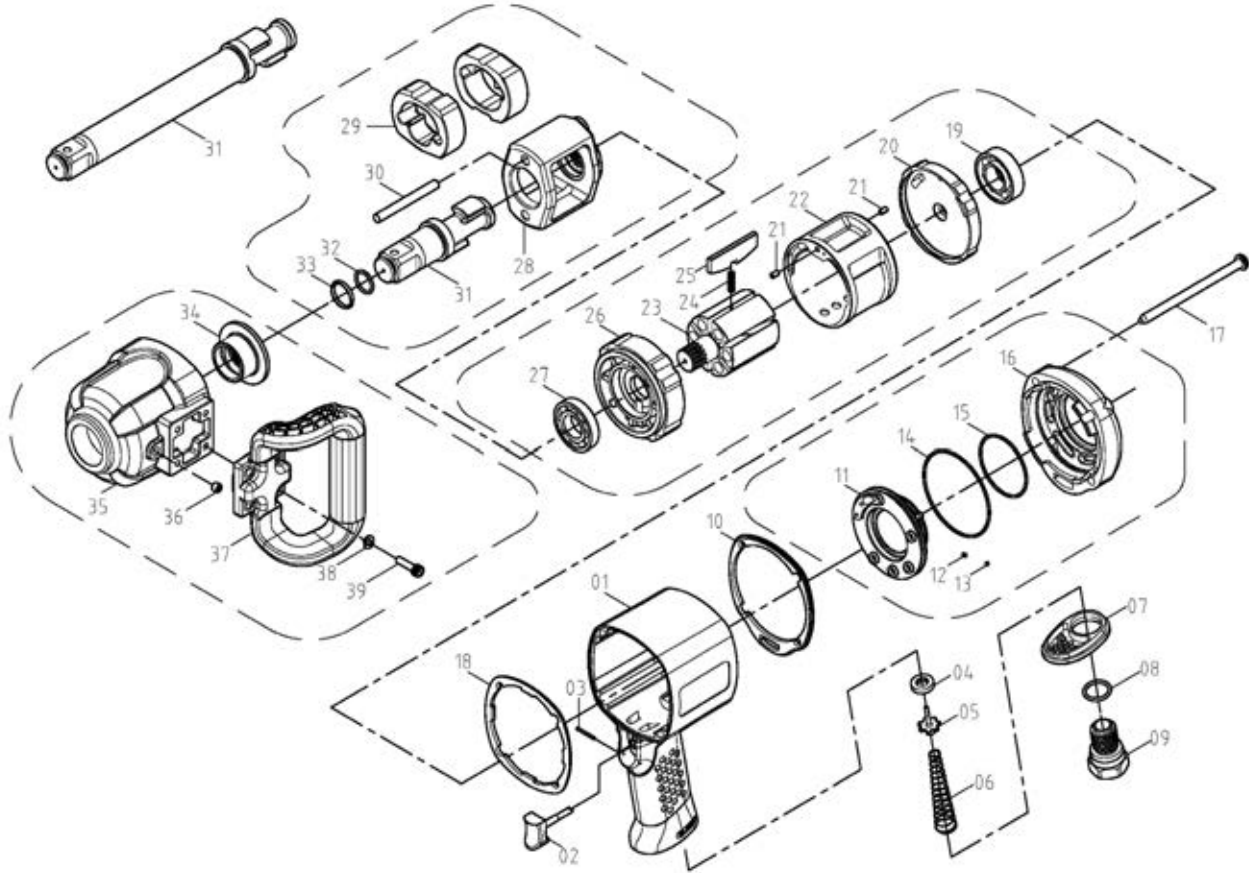


Parts Information:
Air Impact Wrench 1" Sq Drive Twin Hammer
Model No: SA6008



Item	Part No.	Description
1	SA6008.01	Housing
2	SA6008.02	Trigger
3	SA6008.03	Spring Pin
4	SA6008.04	Oil Seal
5	SA6008.05	Valve Rod Pin
6	SA6008.06	Cone Spring
7	SA6008.07	Exhaust Deflector
8	SA6008.08	O-Ring (20.29x2.62mm)
9	SA6008.09	Air Inlet
10	SA6008.10	Rear Gasket
11	SA6008.11	Reverse Lever
12	SA6008.12	Spring
13	SA6008.13	Steel Ball 1/8"
14	SA6008.14	O-Ring (74.4x3.1mm)
15	SA6008.15	O-Ring (44.4x3.1mm)
16	SA6008.16	Rear Cover
17	SA6008.17	Screw M8x1.25
18	SA6008.18	Front Gasket
19	B/6002ZZ	Bearing 6002ZZ
20	SA6008.20	Rear End Plate

Item	Part No.	Description
21	SA6008.21	Spring Pin
22	SA6008.22	Cylinder
23	SA6008.23	Rotor
24	SA6008.24	Rotor Blade Spring
25	SA6008.25	Rotor Blade
26	SA6008.26	Front End Plate
27	B/R14	Bearing R14
28	SA6008.28	Hammer Cage
29	SA6008.29	Hammer Dog
30	SA6008.30	Hammer Pin
31	SA6008.31	Anvil
32	SA6008.32	O-Ring (17.8x2.4mm)
33	SA6008.33	Anvil Collar
34	SA6008.34	Anvil Bushing
35	SA6008.35	Front Casing
36	SA6008.36	Front Casing Plug
37	SA6008.37	Side Handle
38	FWM6.SB	Flat Washer M6 Black
39	SCB620.SB	Socket Head Cap Screw M6x20 Black

NOTE: It is our policy to continually improve products and as such we reserve the right to alter data, specifications and component parts without prior notice. There may be alternative versions of this product, please contact us should you require this information.

IMPORTANT: No liability is accepted for incorrect use of product. Spare parts must be fitted by a competent person

WARRANTY: Guarantee is 12 months from purchase date, proof of which will be required for any claim.