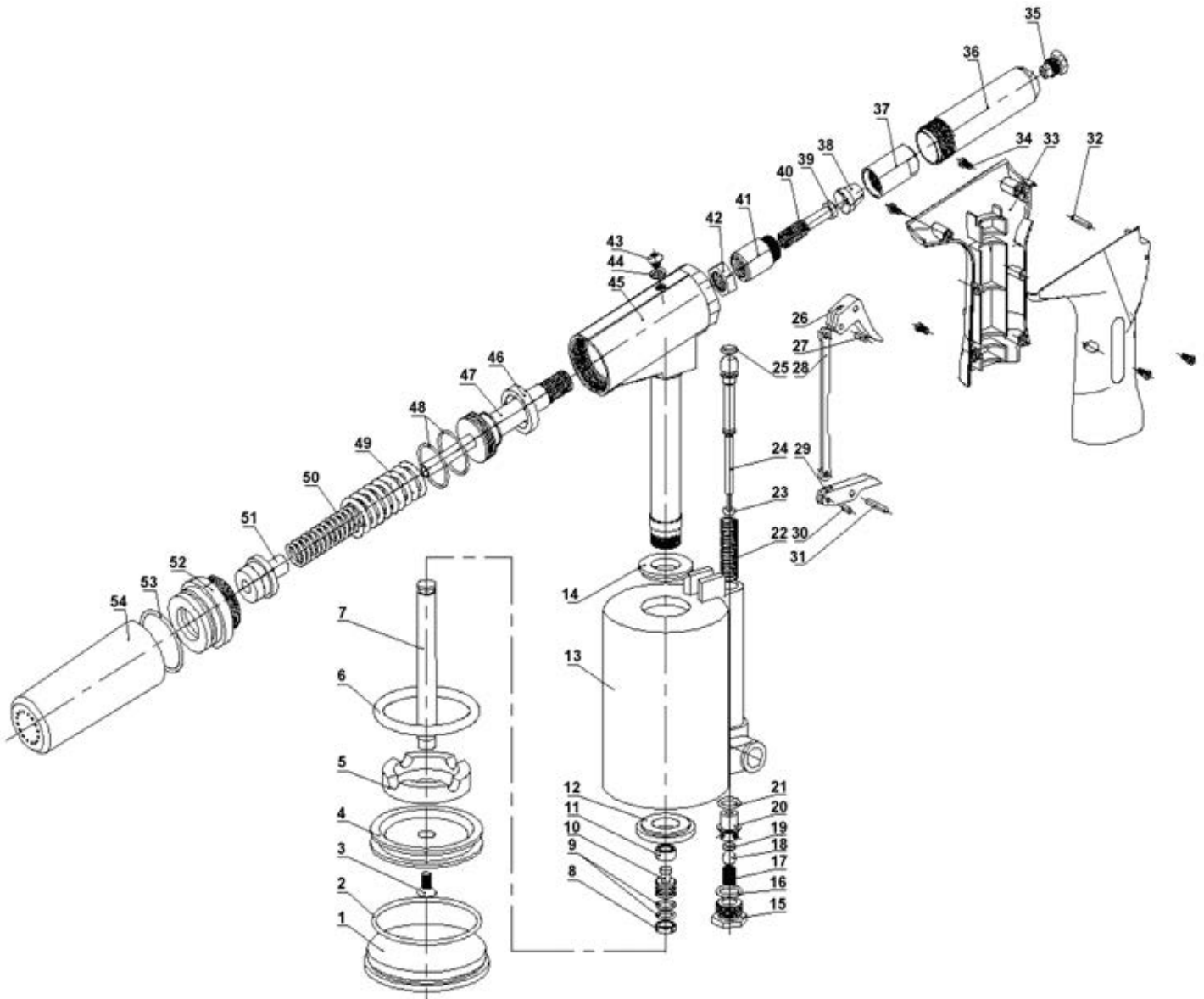




Parts Information:
Air/Hydraulic Riveter
Model No: GSA312 & GSA314



NOTE: It is our policy to continually improve products and as such we reserve the right to alter data, specifications and component parts without prior notice. There may be alternative versions of this product, please contact us should you require this information.

IMPORTANT: No liability is accepted for incorrect use of product. Spare parts must be fitted by a competent person

WARRANTY: Guarantee is 12 months from purchase date, proof of which will be required for any claim.

Sealey Group, Kempson Way, Suffolk Business Park, Bury St Edmunds, Suffolk. IP32 7AR



01284 757500



01284 703534



sales@sealey.co.uk



www.sealey.co.uk



Parts Information:
Air/Hydraulic Riveter
Model No: GSA312 & GSA314

Item	Part No.	Description
1	GSA312.01	Bottom Cover (for GSA312 only)
--	GSA314.01	Bottom Cover (for GSA314 only)
2	GSA312.02	O-Ring (for GSA312 only)
--	GSA314.02	O-Ring (for GSA314 only)
3	GSA314.03	Countersunk Screw
4	GSA312.04	Piston Disc (for GSA312 only)
--	GSA314.04	Piston Disc (for GSA314 only)
5	GSA312.05	Piston Cushion (for GSA312 only)
--	GSA314.05	Piston Cushion (for GSA314 only)
6	GSA312.06	O-Ring (for GSA312 only)
--	GSA314.06	O-Ring (for GSA314 only)
7	GSA314.07	Piston Rod
8	GSA314.08	Piston Ring
9	GSA314.09	O-Ring
10	GSA314.10	Piston
11	GSA314.11	Guide Ring
12	GSA314.12	Locking Nut
13	GSA312.13	Cylinder (for GSA312 only)
--	GSA314.13	Cylinder (for GSA314 only)
14	GSA312.14	Bushing (for GSA312 only)
--	GSA314.14	Bushing (for GSA314 only)
15	GSA314.15	End Plug
16	GSA314.16	O-Ring
17	GSA314.17	Spring
18	GSA314.18	Steel Ball
19	GSA314.19	O-Ring
20	GSA314.20	Valve Base
21	GSA314.21	O-Ring
22	GSA314.22	Valve Rod Spring
23	GSA314.23	O-Ring
24	GSA314.24	Valve Rod
25	GSA314.25	O-Ring
26	GSA314.26	Trigger
27	GSA314.27	Trigger Pin
28	GSA314.28	Connecting Rod
29	GSA314.29	Link Plate

Item	Part No.	Description
30	GSA314.30	Link Plate Pin
31	GSA314.31	Link Plate Pin
32	GSA314.32	Pin for Casing
33	GSA314.33	Handle Case Covers (Left & Right)
34	GSA314.34	Screw for Casing
35	GSA312.35A	Nosepiece 3/32" (for GSA312 only)
--	GSA314.35A	Nosepiece 3/32" (for GSA314 only)
--	GSA312.35B	Nosepiece 1/8" (for GSA312 only)
--	GSA314.35B	Nosepiece 1/8" (for GSA314 only)
--	GSA312.35C	Nosepiece 5/32" (for GSA312 only)
--	GSA314.35C	Nosepiece 5/32" (for GSA314 only)
--	GSA312.35D	Nosepiece 3/16" (for GSA312 only)
--	GSA314.35D	Nosepiece 3/16" (for GSA314 only)
--	GSA314.35E	Nosepiece 1/4" (for GSA314 only)
36	GSA314.36	Cylinder Head
37	GSA314.37	Jaw Sleeve
38	GSA314.38	Jaw Set (3pc)
39	GSA314.39	Jaw Pusher
40	GSA314.40	Jaw Pusher Spring
41	GSA314.41	Jaw Cylinder
42	GSA314.42	Adjusting Nut
43	GSA314.43	Screw for Main Handle
44	GSA314.44	Seal for Main Handle
45	GSA314.45	Main Handle
46	GSA314.46	Guide Ring
47	GSA314.47	Main Rod
48	GSA314.48	O-Ring
49	GSA314.49	Main Rod Spring (Large)
50	GSA314.50	Resetting Spring
51	GSA314.51	Resetting Spring Pusher
52	GSA314.52	Back Cover
53	GSA314.53	O-Ring
54	GSA314.54	Bottle
55	GSA314.55	Wrench
56	GSA314.56	Oil Bottle

NOTE: It is our policy to continually improve products and as such we reserve the right to alter data, specifications and component parts without prior notice. There may be alternative versions of this product, please contact us should you require this information.

IMPORTANT: No liability is accepted for incorrect use of product. Spare parts must be fitted by a competent person

WARRANTY: Guarantee is 12 months from purchase date, proof of which will be required for any claim.

Sealey Group, Kempson Way, Suffolk Business Park, Bury St Edmunds, Suffolk. IP32 7AR



01284 757500



01284 703534



sales@sealey.co.uk



www.sealey.co.uk