



# TROLLEY (FOR HEATER - IR20)

MODEL NO: IR20T

Thank you for purchasing a Sealey product. Manufactured to a high standard, this product will, if used according to these instructions, and properly maintained, give you years of trouble free performance.

**IMPORTANT:** PLEASE READ THESE INSTRUCTIONS CAREFULLY. NOTE THE SAFE OPERATIONAL REQUIREMENTS, WARNINGS & CAUTIONS. USE THE PRODUCT CORRECTLY AND WITH CARE FOR THE PURPOSE FOR WHICH IT IS INTENDED. FAILURE TO DO SO MAY CAUSE DAMAGE AND/OR PERSONAL INJURY AND WILL INVALIDATE THE WARRANTY. KEEP THESE INSTRUCTIONS SAFE FOR FUTURE USE.



Refer to instruction manual

## 1. SAFETY

- ✓ Before each use, check that there is no damage to the trolley and that all fixings and wheels are firmly attached.
- ✗ **DO NOT** use this item for any purpose other than that it is intended for.
- ✓ Replace or repair damaged parts. *Use only recommended parts. Other parts may be dangerous and will invalidate the warranty.*

## 2. INTRODUCTION

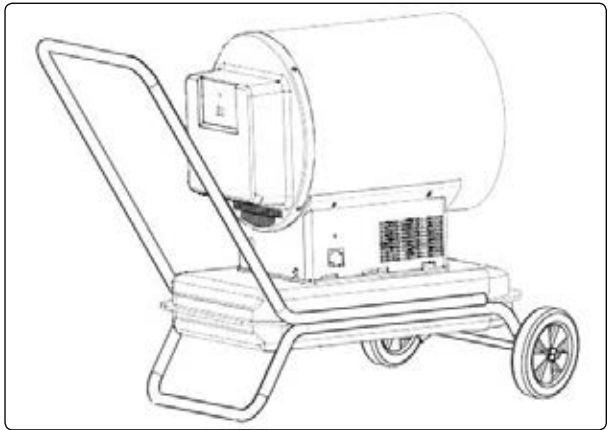
Optional trolley for Model No. IR20.

## 3. SPECIFICATION

Model No: ..... IR20T  
 Size (H x W x D): ..... 350 x 515 x 80mm  
 Nett weight: ..... 3.48kg

## 4. CONTENTS

ITEM	DESCRIPTION	QUANTITY
A	Wheel frame (2 sides + 1 end part)	3 pieces total
B	Handle (2 sides + 1 end part)	3 pieces total
C	Axle	1
D	Wheel	2
E	Spacer	2
F	Domed wheel nut M12	2
G	Hex head bolt M4 x 50 long	4
H	Coned washer M4	8
I	Locknut M4	4
J	Flange head bolt M5 x 25 long	4
K	Locknut M5	4



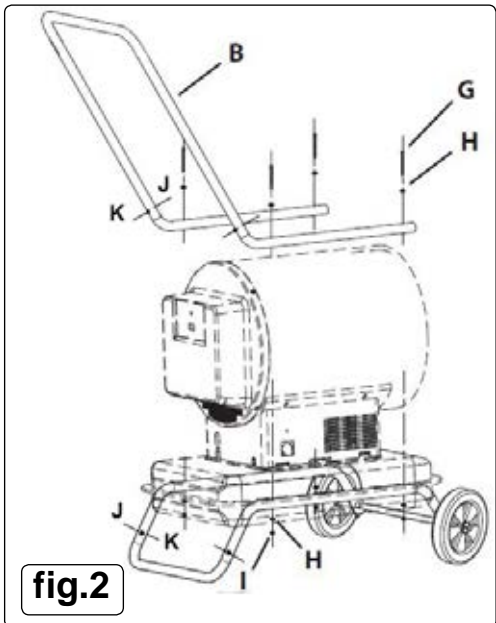
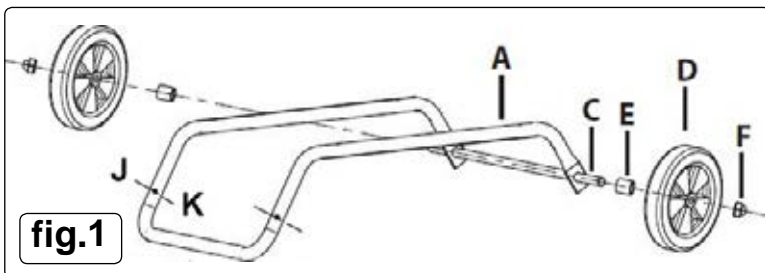
## 5. ASSEMBLY

### 5.1. TROLLEY AND HANDLE (fig.1, fig.2)

- 5.1.1. Following fig.1, assemble the components as shown.
- 5.1.2. Following fig.2, assemble the handle (Item B) as shown.

### 5.2. MOUNTING HEATER (fig.2)

- 5.2.1. Clear out the four screw holes in the heater case that align with the handle and trolley.
- 5.2.2. Use fixings G, H, and I to mount the handle and trolley on either side of the flange on the heater body.





#### ENVIRONMENT PROTECTION

Recycle unwanted materials instead of disposing of them as waste. All tools, accessories and packaging should be sorted, taken to a recycling centre and disposed of in a manner which is compatible with the environment. When the product becomes completely unserviceable and requires disposal, drain any fluids (if applicable) into approved containers and dispose of the product and fluids according to local regulations.

**Note:** It is our policy to continually improve products and as such we reserve the right to alter data, specifications and component parts without prior notice.

**Important:** No Liability is accepted for incorrect use of this product.

**Warranty:** Guarantee is 12 months from purchase date, proof of which is required for any claim.

Sealey Group, Kempson Way, Suffolk Business Park, Bury St Edmunds, Suffolk. IP32 7AR



01284 757500



01284 703534



sales@sealey.co.uk



www.sealey.co.uk