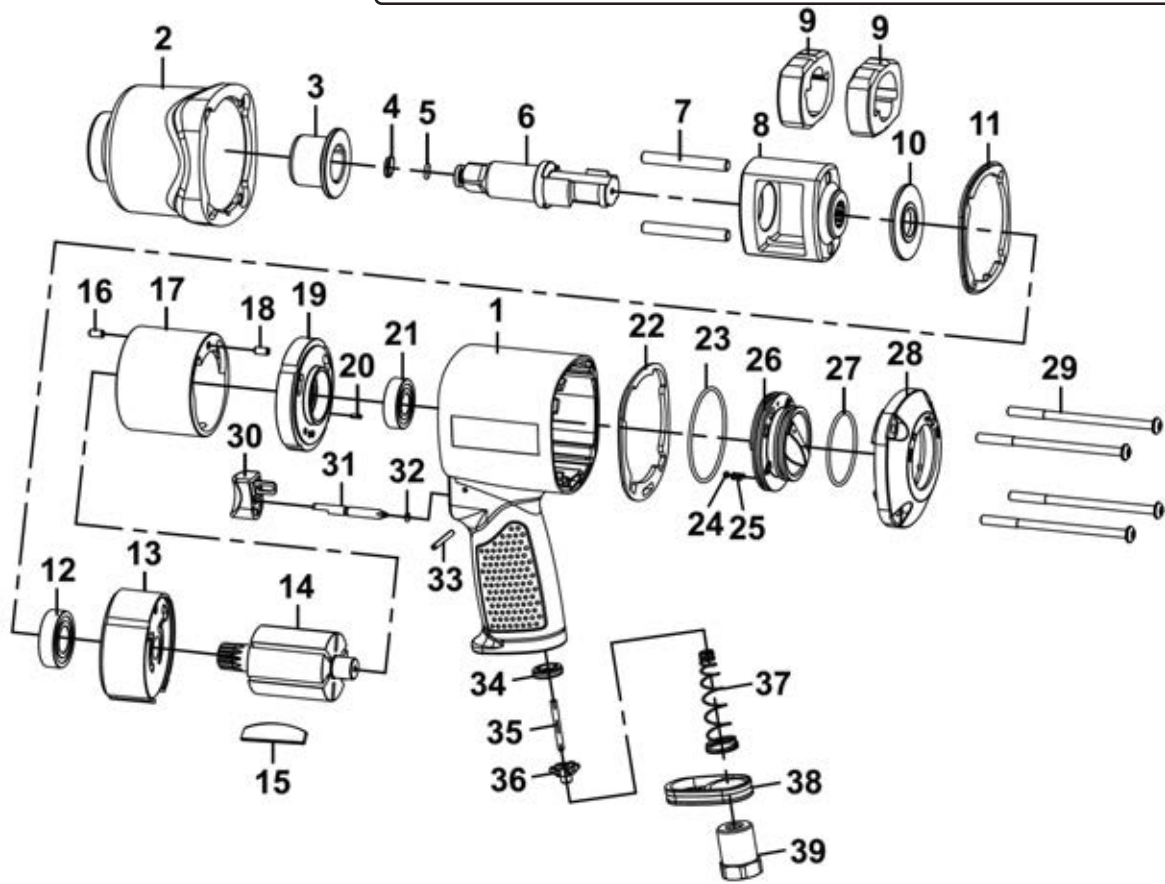


Parts Information:
**Air Impact Wrench 1/2" Sq Drive Composite
 Twin Hammer**
Model No: SA201



Item	Part No.	Description
1	SA201.01	Handle
2	SA201.02	Front Housing
3	SA201.03	Front Housing Bushing
4	SA201.04	Anvil Collet
5	SA201.05	O-Ring (6x1.8mm)
6	SA201.06	Anvil Assembly
7	SA201.07	Hammer Pin
8	SA201.08	Hammer Cage (c/w Pin)
9	SA201.09	Hammer Dog
10	SA201.10	Hammer Dog Gasket
11	SA201.11	Front Gasket
12	B/R8ZZ	Bearing R8ZZ
13	SA201.13	Front End Plate
14	SA201.14	Rotor
15	SA201.15	Rotor Blade
16	SA201.16	Straight Pin (4x8)
17	SA201.17	Cylinder
18	SA201.18	Straight Pin (3x8)
19	SA201.19	Rear End Plate
20	SA201.20	Straight Pin (2x6)

Item	Part No.	Description
21	B/6000ZZ	Bearing 6000ZZ
22	SA201.22	Rear Gasket
23	SA201.23	O-Ring (40x1.8mm)
24	SB-3.0	Steel Ball 3.0mm
25	SA201.25	Spring
26	SA201.26	Adjustment Knob
27	SA201.27	O-Ring (34.5x1.8mm)
28	SA201.28	Rear Cover
29	SA201.29	Socket Head Cap Screw M5x92mm
30	SA201.30	Trigger
31	SA201.31	Trigger Pin
32	SA201.32	O-Ring (2x1.5mm)
33	SA201.33	Straight Pin (2.5x22)
34	SA201.34	Seal Ring
35	SA201.35	Valve Pin
36	SA201.36	Throttle Valve
37	SA201.37	Taper Spring
38	SA201.38	Exhaust Deflector
39	SA201.39	Air Inlet Connector

NOTE: It is our policy to continually improve products and as such we reserve the right to alter data, specifications and component parts without prior notice. There may be alternative versions of this product, please contact us should you require this information.

IMPORTANT: No liability is accepted for incorrect use of product. Spare parts must be fitted by a competent person

WARRANTY: Guarantee is 12 months from purchase date, proof of which will be required for any claim.