



HEAVY-DUTY SACK TRUCK WITH PU TYRES 250KG CAPACITY

MODEL NO:

CST983HD, CST986HD and CST987HD

Thank you for purchasing a Sealey product. Manufactured to a high standard, this product will, if used according to these instructions, and properly maintained, give you years of trouble free performance.

IMPORTANT: PLEASE READ THESE INSTRUCTIONS CAREFULLY. NOTE THE SAFE OPERATIONAL REQUIREMENTS, WARNINGS & CAUTIONS. USE THE PRODUCT CORRECTLY AND WITH CARE FOR THE PURPOSE FOR WHICH IT IS INTENDED. FAILURE TO DO SO MAY CAUSE DAMAGE AND/OR PERSONAL INJURY AND WILL INVALIDATE THE WARRANTY. KEEP THESE INSTRUCTIONS SAFE FOR FUTURE USE.



Refer to
instructions



Wear safety
footwear

1. SAFETY

- ✓ Always load evenly with the centre of gravity of the load as near the centre and rear of the plate as possible.
- ✓ Obtain additional support for large or wide loads to prevent tipping.
- ✗ **DO NOT** overload the truck - see Specification.
- ✗ **DO NOT** leave unattended, especially when loaded, unless the wheels are chocked or the truck is otherwise secured.
- ✗ **DO NOT** use truck on uneven ground and do not run over curbs or steps - use a ramp.
- ✗ **DO NOT** allow others to ride on the truck.
- ✗ **DO NOT** use the truck if any part is damaged, paying particular attention to the wheels.

2. INTRODUCTION

Heavy-duty tubular steel construction with welded joints with an extra 50kg capacity to the standard models. Puncture proof heavy-duty PU tyres with powder coated steel hubs and fitted with knuckle protecting D-shaped handle grips. 3 year warranty.

3. SPECIFICATION

Model No:	CST983HD	CST986HD	CST987HD
Capacity:	200kg	250kg	250kg
Height(s):	1150mm	1150mm	1220mm
Nett Weight:	8.3kg	9.4kg	10.4kg
Overall Width:	470mm	525mm	540mm
Platform Depth:	220mm	180mm	250mm
Wheel Bore Size:	Ø16mm	Ø16mm	Ø16mm
Wheel Size:	Ø210mm	Ø250mm	Ø250mm
Wheel Width:	55mm	85mm	85mm

4. ASSEMBLY

- 4.1. Wheels. Ensure axle is clean from dust and dirt to allow free movement of the wheel.
- 4.2. For Model No's. CST987HD and the axle (fig.1.1) needs to be put through the frame before the wheels can be attached.
- 4.3. Slide the wheel (fig.1.2) onto the axle, put on the washer (fig.1.3) and complete by pushing the split pin (fig.1.4) through the hole in the end of the axle and bending over to retain.
- 4.4. Repeat for the other side.

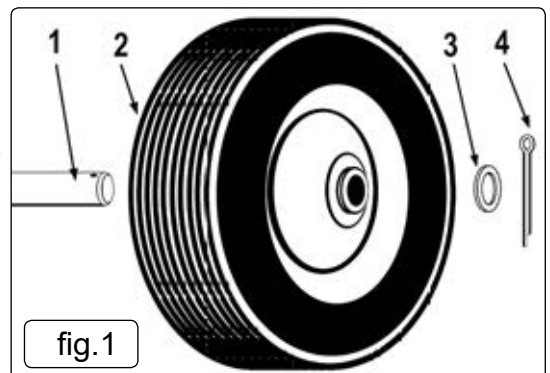


fig.1



ENVIRONMENT PROTECTION

Recycle unwanted materials instead of disposing of them as waste. All tools, accessories and packaging should be sorted, taken to a recycling centre and disposed of in a manner which is compatible with the environment. When the product becomes completely unserviceable and requires disposal, drain any fluids (if applicable) into approved containers and dispose of the product and fluids according to local regulations.

Note: It is our policy to continually improve products and as such we reserve the right to alter data, specifications and component parts without prior notice.

Important: No Liability is accepted for incorrect use of this product.

Warranty: Guarantee is 3 years from purchase date, proof of which is required for any claim.

Sealey Group, Kempson Way, Suffolk Business Park, Bury St Edmunds, Suffolk. IP32 7AR



01284 757500



01284 703534



sales@sealey.co.uk



www.sealey.co.uk