



HEAVY-DUTY 3-IN-1 SACK TRUCK WITH PU TYRES 300KG CAPACITY

MODEL NO: **CST989HD**

Thank you for purchasing a Sealey product. Manufactured to a high standard, this product will, if used according to these instructions, and properly maintained, give you years of trouble free performance.

IMPORTANT: PLEASE READ THESE INSTRUCTIONS CAREFULLY. NOTE THE SAFE OPERATIONAL REQUIREMENTS, WARNINGS & CAUTIONS. USE THE PRODUCT CORRECTLY AND WITH CARE FOR THE PURPOSE FOR WHICH IT IS INTENDED. FAILURE TO DO SO MAY CAUSE DAMAGE AND/OR PERSONAL INJURY AND WILL INVALIDATE THE WARRANTY. KEEP THESE INSTRUCTIONS SAFE FOR FUTURE USE.



Refer to instructions



Wear safety footwear

1. SAFETY

- ✓ Always load evenly with the centre of gravity of the load as near the centre and rear of the plate as possible.
- ✓ Obtain additional support for large or wide loads to prevent tipping.
- ✗ **DO NOT** overload the truck - see Specification.
- ✗ **DO NOT** leave unattended, especially when loaded, unless the wheels are chocked or the truck is otherwise secured.
- ✗ **DO NOT** use truck on uneven ground and do not run over curbs or steps - use a ramp.
- ✗ **DO NOT** allow others to ride on the truck.
- ✗ **DO NOT** use the truck if any part is damaged, paying particular attention to the wheels.

2. INTRODUCTION

Heavy-duty tubular steel construction with welded joints with 300kg capacity. Puncture proof heavy-duty PU tyres with powder coated steel hubs. Features foldaway toe plate for added extension when transporting larger loads. Can be used as a traditional sack truck or at a 45° with support castors. Three year warranty.

3. SPECIFICATION

Model No: CST989HD
 Capacity: 300kg
 Height(s): 1220mm
 Nett Weight: 19.1kg
 Overall Width: 600mm
 Platform Depth: 300mm
 Wheel Bore Size: Ø20mm
 Wheel Size: Ø250mm
 Wheel Width: 85mm

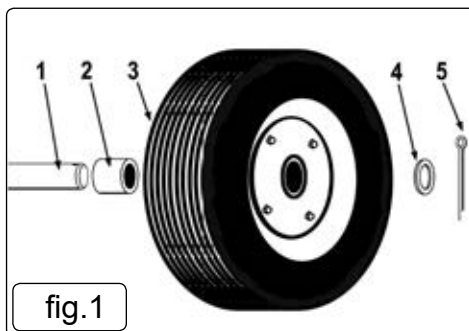


fig.1



fig.2

4. ASSEMBLY

4.1. ATTACHING THE WHEELS

- 4.1.1. Make sure the axle is free from dust and dirt to allow free rotation of the wheel.
- 4.1.2. Place spacer (Fig.1.2) onto axle first. Slide the wheel (Fig.1.3) onto the axle followed by a washer (Fig.1.4). Push a split pin (Fig.1.5) through the hole in the end of the axle and bend over the ends in order to secure the whole assembly.
- 4.1.3. Push axle through fame, repeat for the other side.

4.1.4. The truck can be used in three different configurations as shown in Figs. 2, 3 & 4.

4.2. STANDARD SACK TRUCK. To operate as a two wheel sack truck ensure that the castor wheels and secondary frames are secured flat against the main frame. The castor wheels should be turned sideways and the loop handle should be resting in the lower stowage bracket with the locking pin in place, as shown in Fig.2.

4.3. SACK TRUCK SUPPORTED AT 45°. To use as a 45° sack truck release the secondary frame and wheels by removing the locking pin from the lower bracket. Take hold of the loop handle with one hand and tip the truck towards you with the other hand until the loop handle can be placed into the upper bracket and secured with the locking pin, as shown in Fig.3.

4.4. FLAT BED TRUCK. To use as a flat bed truck release the secondary frame and castor wheels by removing the locking pin from the securing bracket. Take hold of the loop handle and tip it towards you so that it clears the square tube at the top of the main frame between the red handles. With the other hand lower the main frame until the square tube comes to rest on the slotted bracket about 12cm above the castor wheels, as shown in Fig.4. Fold up the load restraint at the other end of the frame until it rests against the platform. Manoeuvre the loaded trolley using the loop handle only. **DO NOT** lift the truck by the red handles when used in flat bed configuration.

☐ **WARNING!** When changing truck positions keep fingers well clear of all pinch points.



fig.3



fig.4

Parts support is available for this product. To obtain parts, please log on to www.sealey.co.uk, email sales@sealey.co.uk or telephone 01284 757500



ENVIRONMENT PROTECTION

Recycle unwanted materials instead of disposing of them as waste. All tools, accessories and packaging should be sorted, taken to a recycling centre and disposed of in a manner which is compatible with the environment. When the product becomes completely unserviceable and requires disposal, drain any fluids (if applicable) into approved containers and dispose of the product and fluids according to local regulations.

Note: It is our policy to continually improve products and as such we reserve the right to alter data, specifications and component parts without prior notice.

Important: No Liability is accepted for incorrect use of this product.

Warranty: Guarantee is 36 months from purchase date, proof of which is required for any claim.

Sealey Group, Kempson Way, Suffolk Business Park, Bury St Edmunds, Suffolk. IP32 7AR



01284 757500



01284 703534



sales@sealey.co.uk



www.sealey.co.uk