



20V Ø115MM BRUSHLESS ANGLE GRINDER - BODY ONLY

MODEL NO: CP20VAGX

Thank you for purchasing a Sealey product. Manufactured to a high standard, this product will, if used according to these instructions, and properly maintained, give you years of trouble free performance.

IMPORTANT: PLEASE READ THESE INSTRUCTIONS CAREFULLY. NOTE THE SAFE OPERATIONAL REQUIREMENTS, WARNINGS & CAUTIONS. USE THE PRODUCT CORRECTLY AND WITH CARE FOR THE PURPOSE FOR WHICH IT IS INTENDED. FAILURE TO DO SO MAY CAUSE DAMAGE AND/OR PERSONAL INJURY AND WILL INVALIDATE THE WARRANTY. KEEP THESE INSTRUCTIONS SAFE FOR FUTURE USE.



Refer to
instruction
manual



Wear eye
protection



Wear a
mask



Wear ear
protection



Wear protective
gloves

1. SAFETY

1.1. POWER TOOL SAFETY WARNINGS

- WARNING! Read all safety warnings, instructions, illustrations and specifications provided with this tool. Failure to follow all instructions listed below may result in electric shock, fire and/or serious injury.**
- WARNING!** Disconnect the tool from the battery unit before changing accessories, servicing, performing any maintenance or storing.
- ✓ Maintain the tool and battery in good condition. Check for alignment or binding of moving parts and any other condition that may affect the power tool's operation. If damaged have the tool repaired before use.
- ✓ Replace or repair damaged parts. Use an authorised service agent and recommended parts only. Unauthorised parts may be dangerous and will invalidate the warranty.
- ✓ Ensure the saw is switched off before installing the battery pack.
- ✓ Keep the tool and clean for best and safest performance.
- ✓ Dress properly. Remove ill fitting clothing. Remove ties, watches, rings and other loose jewellery and contain long hair.
- ✓ Evaluate your working area before using the multi-tool e.g. ceilings, floors and enclosures may contain electrical items or water piping.
- ✓ Keep work area clean and well lit.
- ✓ Ensure battery pack is correctly inserted into the tool handle and latched in place before attempting to switch it on.
- ✓ Secure loose work pieces with a clamp, vice or other adequate holding device.
- ✓ Stay alert, watch what you are doing and use common sense when operating a power tool.
- ✗ **DO NOT** operate the tool when you are tired or under the influence of alcohol, drugs or intoxicating medication.
- ✓ Prevent unintentional starting. Ensure the switch is in the off position before connecting the battery pack, picking up or carrying the tool.
- ✓ Remove any adjusting key or wrench before turning the tool on.
- ✗ **DO NOT** over reach. Maintain correct balance and footing. Ensure the floor is not slippery and wear non-skid shoes.
- ✓ Keep children and unauthorised persons away from the working area.
- ✓ Keep tool and charger in the case and store in a safe, dry, childproof area.
- ✓ Store idle power tools out of reach of children and **DO NOT** allow persons unfamiliar with the power tool or these instructions to operate the power tool.
- ✓ Use power tool, accessories in accordance with these instructions, taking into account the working conditions and the work to be performed.
- ✓ Keep handles and grasping surfaces clean and free from oil and grease.
- ✓ Have the tool serviced by a qualified repair person using only identical replacement parts.
- ✗ **DO NOT** force the tool. Use the correct power tool for the application.
- ✗ **DO NOT** use the tool if the switch does not turn it on and off.
- ✗ **DO NOT** allow children to operate the tool.
- ✗ **DO NOT** operate the tool if any parts are missing as this may cause failure and/or personal injury.
- ✗ **DO NOT** hold unsecured work piece in your hand.
- ✗ **DO NOT** leave the tool operating unattended.
- ✗ **DO NOT** carry the tool with your finger on the power switch.
- ✗ **DO NOT** use the tool for a task it is not designed to perform.
- ✗ **DO NOT** get the tool or battery charger wet or use in damp or wet locations.

1.2. SPECIFIC GRINDER SAFETY PRECAUTIONS

- ✗ **DO NOT** use accessories which are not specifically designed and recommended by the tool manufacturer. Just because the accessory can be attached to your power tool, it does not assure safe operation.
- ✓ The rated speed of the accessory must be at least equal to the maximum speed marked on the power tool. Accessories running faster than their rated speed can break and fly apart.
- ✓ The outside diameter and the thickness of your accessory must be within the capacity rating of your power tool. Incorrectly sized accessories cannot be adequately guarded or controlled.
- ✓ The arbour size of wheels, flanges, backing pads or any other accessory must match the mounting hardware of the power tool will run out of balance, vibrate excessively and may cause loss of control.
- ✓ Position the cord clear of the spinning accessory. If you lose control, the cord may be cut or snagged and your hand or arm may be pulled into the spinning accessory.
- ✓ Never lay the power tool down until the accessory has come to a complete stop. The spinning accessory may grab the surface and pull the power tool out of your control.

- ✗ **DO NOT** run the power tool while carrying it at your side. Accidental contact with the spinning accessory could snag your clothing, pulling the accessory into your body.
- ✓ Regularly clean the power tool's air vents. The motor's fan will draw the dust inside the housing and excessive accumulation of powdered metal may cause electrical hazards.
- ✗ **DO NOT** operate the power tool near flammable materials. Sparks could ignite these materials.
- ✗ **DO NOT** use accessories that require liquid coolants. Using water or other liquid coolants may result in electrocution or shock.
- ✓ Properly fit the spindle of the power tool. Accessories with arbour holes that do not and may cause loss of control.
- ✗ **DO NOT** use a damaged accessory. Before each use inspect the accessory such as abrasive wheels for chips and cracks, backing pad for cracks, tear or excess wear, wire brush for loose or cracked wires. If power tool or accessory is dropped, inspect for damage or install an undamaged accessory. After inspecting and installing an accessory, position yourself and bystanders away from the plane of the rotating accessory and run the power tool at maximum no-load speed for one minute. Damaged accessories will normally break apart during this test time.
- ✓ Wear personal protective equipment. Depending on application, use face shield, safety goggles or safety glasses. As appropriate, wear dust mask, hearing protectors, gloves and workshop apron capable of stopping small abrasive or workpiece fragments. The eye protection must be capable of stopping flying debris generated by various operations. The dust mask or respirator must be capable of filtering particles generated by your operation. Prolonged exposure to high intensity noise may cause hearing loss.
- ✓ Keep bystanders a safe distance away from work area. Anyone entering the work area must wear personal protective equipment. Fragments of workpiece or of a broken accessory may fly away and cause injury beyond immediate area of operation.
- ✓ Hold the power tool by insulated gripping surfaces only, when performing an operation where the cutting accessory may contact hidden wiring or its own cord. Cutting accessory contacting a "live" wire may make exposed metal parts of the tool live and could give the operator an electric shock.
- ✓ Maintain a firm grip on the tool and position your body and arm to resist kickback forces. Always use the auxiliary handle, if provided for maximum control over kickback or torque reaction during start up.
- ✓ Never place your hand near a rotating accessory.
- ✗ **DO NOT** position your body in the area where a power tool will move if kickback occurs.
- ✓ Use special care when working corners, sharp edges etc. Avoid bouncing and snagging the accessory.
- ✗ **DO NOT** attach any other type of blade to the tool.
- ✓ Only use recommended wheel types.
- ✓ The grinding surface of centre depressed wheels must be mounted below the plane of the guard lip.
- ✓ The guard must be securely attached to the tool and positioned for maximum safety, so the least amount of wheel is exposed towards the operator.
- ✓ Wheels must only be used for recommended applications e.g. do not grind with the side of a cut off wheel.
- ✓ Always use undamaged wheel flanges that are of the correct size and shape for the selected wheel. **DO NOT** use worn down wheels from larger power tools.

DANGER OF FIRE/EXPLOSION HAZARD

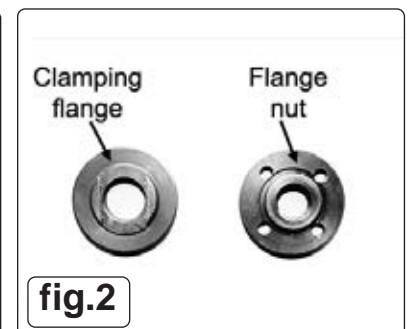
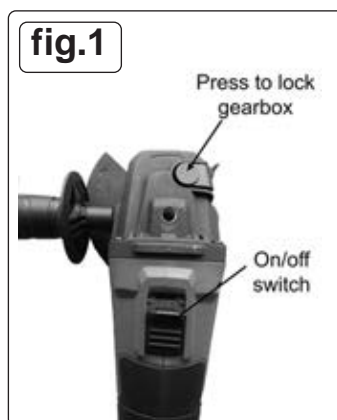
- ❑ **WARNING! The grinding process can produce streams of sparks which are a potential source of ignition, especially when grinding metal.**
- ✗ **DO NOT use the grinder where there are flammable liquids, solids or gases.**
- ✗ **DO NOT allow grinder sparks to make contact with the operator's clothing or any other fabric such as cleaning rags. Fabrics contaminated with flammable materials such as petrol, oil, grease, paint and solvents are a particular fire hazard.**
- ✓ **To reduce the risk of clothing catching fire the operator should wear wool or cotton outer garments treated with a fire retardant in preference to man-made fibres.**

2. INTRODUCTION

Ergonomic, lightweight and compact design. Brushless motor, which gives an improved performance and requires less maintenance than the brushed equivalent, giving you a more efficient, longer lasting tool. Features spindle lock for quick disc changes and adjustable disc guard. Supplied with side/top handle and soft grip for added comfort and control. Slide on/off lock on switch. Disc not included - Grinding Disc, order Model No. PTC/115G, Cutting Disc, order Model No. PTC/115C. Requires compatible 20V battery and mains charger, sold separately.

3. SPECIFICATION

Model No:CP20VAGX
 Battery 20V 2Ah - 6Ah Lithium-ion (not included)
 Consumable parts:
 CP20VBP2 - 2Ah Battery, CP20VBP4 - 4Ah Battery,
 CP20VBP6 - 6Ah Battery
 Disc sizeØ115mm
 Free speed..... 10000rpm
 Motor power48W
 Noise power/pressure 97/86dB(A)
 Replacement parts:
 CP20VMC - Mains Charger (not included)
 Spindle sizeM14
 Vibration/uncertainty 5.598/1.5m/s²



4. OPERATION

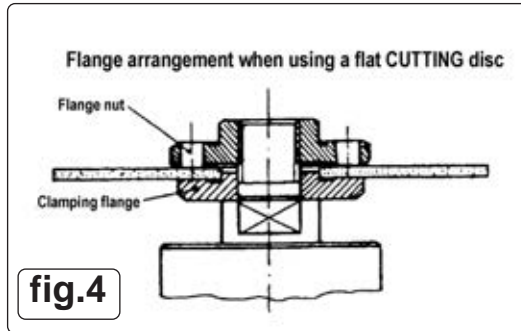
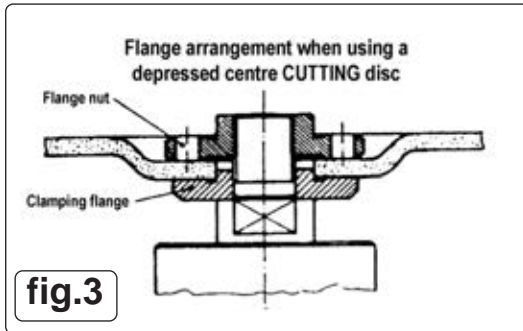
- ❑ **WARNING:** Remove battery before fitting / removing wheels or maintenance is carried out.
- 4.1. Ensure that you have read, understood and comply with all the safety instructions in Section 1.
- 4.2. **TO REMOVE BATTERY**
- 4.2.1. To remove the battery from the equipment, depress the spring loaded buttons on the battery pack. Remove the battery pack by sliding out. **DO NOT** touch the metal battery terminals.

4.3. FITTING A DISK

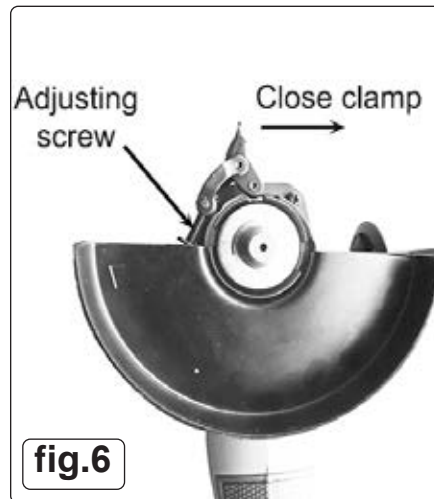
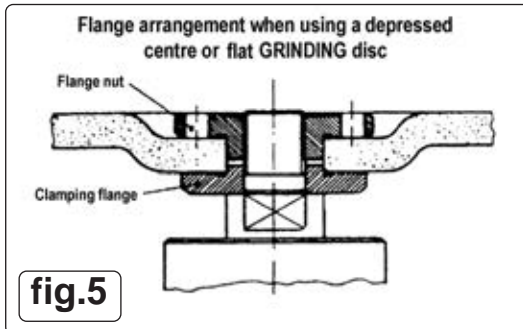
4.3.1. Lock gearbox in order to undo or tighten flange and clamp nut (fig.2). Depress button on the top surface of the tool head (fig.1).

4.3.2. **FLAT CUTTING DISK fig.3**

4.3.3. **DEPRESSED CENTRE CUTTING DISK fig.4**



4.3.4. **DEPRESSED CENTRE OR FLAT GRINDING DISK fig.5**



4.4. GUARD ADJUSTMENT fig.6

- WARNING:** Always work with guard in place.
- WARNING:** Remove battery before fitting / removing wheels or maintenance is carried out.

4.4.1. Open clamp by raising lever and rotate to required location.

4.4.2. Clamping force can be adjusted by screwing in the adjusting screw.

4.5. PREPARATION

4.5.1. Attach grinding/cutting disc according to section 4.3 and position the handle grip conveniently for the task.

4.5.2. Ensure the disc safety guard is correctly positioned.

- WARNING!** When the grinder first starts it will kick to the right. You must ensure, therefore, that the tool is securely gripped in both hands. Especially important is the position you choose for the side handle in order to maintain stability.
- WARNING!** Before use, ensure that you are wearing approved safety goggles, ear defenders, appropriate dust mask if dust will be generated and safety gloves, and that all other safety instructions in Section 1 are followed carefully.

4.6. ON/OFF SWITCH fig.1

4.6.1. The ON/OFF (I/O) switch (fig.1) is designed to avoid accidental starting. Slide it forward and then depress to lock in the ON position.

4.6.2. To release the ON switch press it's rear edge and it will return to the OFF position.

5. CONSUMABLES

- WARNING! DO NOT USE DISCS THAT ARE DAMAGED, OR SUSPECTED TO BE DAMAGED.**

5.1. Before using a grinding/cutting disc ensure that there are no fissures or cracks. Once mounted on the grinder, test the disc before use by facing the grinder in a safe direction (point away from yourself, others and vulnerable items) and run for a short time.

- ▲ **DANGER!** Use of damaged discs is dangerous and may cause personal injury.

5.2. Grinding and cutting discs used in association with this machine shall be of an adequate speed rating and be suitable for the job in hand. The discs shall be made in accordance with British Standard 4481:Part 1 1989. Only persons holding a grinding wheel certificate are authorised to change grinding discs. Ensure that the speed rating on the disc is equal to, or higher than, that of the grinder.

6. MAINTENANCE

- WARNING:** Always disconnect the battery before carrying out any inspection, maintenance or cleaning.

6.1. GENERAL INSPECTION

6.1.1. Regularly check that all the fixing screws are tight.

6.1.2. Repairs should be carried out by an authorised service centre.

6.2. CLEANING

- WARNING:** Always wear protective equipment including eye protection and gloves when cleaning this tool.

6.2.1. Keep your tool clean at all times. Dirt and dust will cause internal parts to wear quickly, and shorten the device's service life.

6.2.2. Clean the body of your machine with a soft brush, or dry cloth.

6.2.3. Never use caustic agents to clean plastic parts. If dry cleaning is not sufficient, a mild detergent on a damp cloth is recommended.

6.2.4. Water must never come into contact with the tool. Ensure the tool is thoroughly dry before using it.

6.2.5. If available, use clean, dry, compressed air to blow through the ventilation holes (where applicable).

6.3. LUBRICATION

6.3.1. Lightly lubricate all moving parts at regular intervals with a suitable spray lubricant.

6.4. STORAGE

6.4.1. Store this tool carefully in a secure, dry place out of the reach of children.

WARNING! – Risk of Hand Arm Vibration Injury.

This tool may cause Hand Arm Vibration Syndrome if its use is not managed adequately.

This tool is subject to the vibration testing section of the Machinery Directive 2006/42/EC.

This tool is to be operated in accordance with these instructions.

Measured vibration emission value (a):5.598m/s²

Uncertainty value (k):.....1.5m/s²

Please note that the application of the tool to a sole specialist task may produce a different average vibration emission. We recommend that a specific evaluation of the vibration emission is conducted prior to commencing with a specialist task.

A health and safety assessment by the user (or employer) will need to be carried out to determine the suitable duration of use for each tool.

NB: Stated Vibration Emission values are type-test values and are intended to be typical.

Whilst in use, the actual value will vary considerably from and depend on many factors.

Such factors include; the operator, the task and the inserted tool or consumable.

NB: ensure that the length of leader hoses is sufficient to allow unrestricted use, as this also helps to reduce vibration.

The state of maintenance of the tool itself is also an important factor, a poorly maintained tool will also increase the risk of Hand Arm Vibration Syndrome.

Health surveillance.

We recommend a programme of health surveillance to detect early symptoms of vibration injury so that management procedures can be modified accordingly.

Personal protective equipment.

We are not aware of any personal protective equipment (PPE) that provides protection against vibration injury that may result from the uncontrolled use of this tool. We recommend a sufficient supply of clothing (including gloves) to enable the operator to remain warm and dry and maintain good blood circulation in fingers etc. Please note that the most effective protection is prevention, please refer to the Correct Use and Maintenance section in these instructions. Guidance relating to the management of hand arm vibration can be found on the HSC website www.hse.gov.uk - Hand-Arm Vibration at Work.



WEEE REGULATIONS

Dispose of this product at the end of its working life in compliance with the EU Directive on Waste Electrical and Electronic Equipment (WEEE). When the product is no longer required, it must be disposed of in an environmentally protective way. Contact your local solid waste authority for recycling information.



ENVIRONMENT PROTECTION

Recycle unwanted materials instead of disposing of them as waste. All tools, accessories and packaging should be sorted, taken to a recycling centre and disposed of in a manner which is compatible with the environment. When the product becomes completely unserviceable and requires disposal, drain any fluids (if applicable) into approved containers and dispose of the product and fluids according to local regulations.

Note: It is our policy to continually improve products and as such we reserve the right to alter data, specifications and component parts without prior notice.

Important: No Liability is accepted for incorrect use of this product.

Warranty: Guarantee is 36 months labour and two years parts warranty from purchase date, proof of which is required for any claim.

Sealey Group, Kempson Way, Suffolk Business Park, Bury St Edmunds, Suffolk. IP32 7AR



01284 757500



01284 703534



sales@sealey.co.uk



www.sealey.co.uk