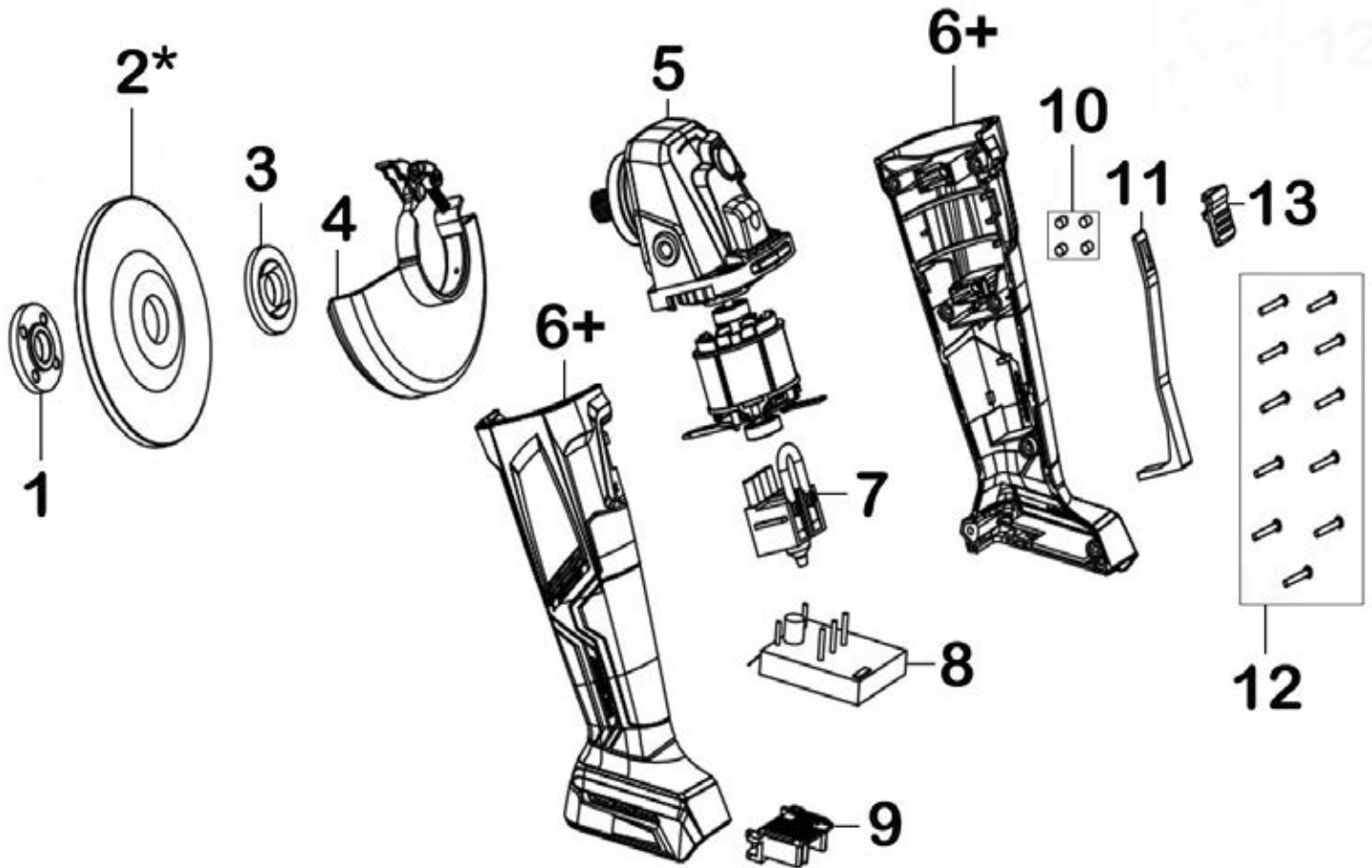


Parts Information:
**Brushless Angle Grinder Ø115mm 20V -
 Body Only**
Model No:CP20VAGX



Item	Part No.	Description
1	CP20VAGX.01	Disc Nut (Upper)
2*	PTC/115G	Grinding Disc Ø115 x 6mm 22mm Bore (NOT Included)
2*	PTC/115C	Cutting Disc Ø115 x 3mm 22mm Bore (NOT Included)
3	CP20VAGX.03	Disc Nut (Lower)
4	CP20VAGX.04	Protection Guard
5	CP20VAGX.05	Gearbox
6+	CP20VAGX.06	Casing Complete

Item	Part No.	Description
7	CP20VAGX.07	Switch
8	CP20VAGX.08	Control Board
9	CP20VAGX.09	Battery Connection Plate
10	CP20VAGX.10	Rubber Pin
11	CP20VAGX.11	Pull Rod
12	DAS150TV4-42	Rd Head S/T Screw M4 X 14 Black
13	CP20VAGX.13	Pull Rod Button

NOTE: It is our policy to continually improve products and as such we reserve the right to alter data, specifications and component parts without prior notice. There may be alternative versions of this product, please contact us should you require this information.

IMPORTANT: No liability is accepted for incorrect use of product. Spare parts must be fitted by a competent person

WARRANTY: Guarantee is 12 months from purchase date, proof of which will be required for any claim.