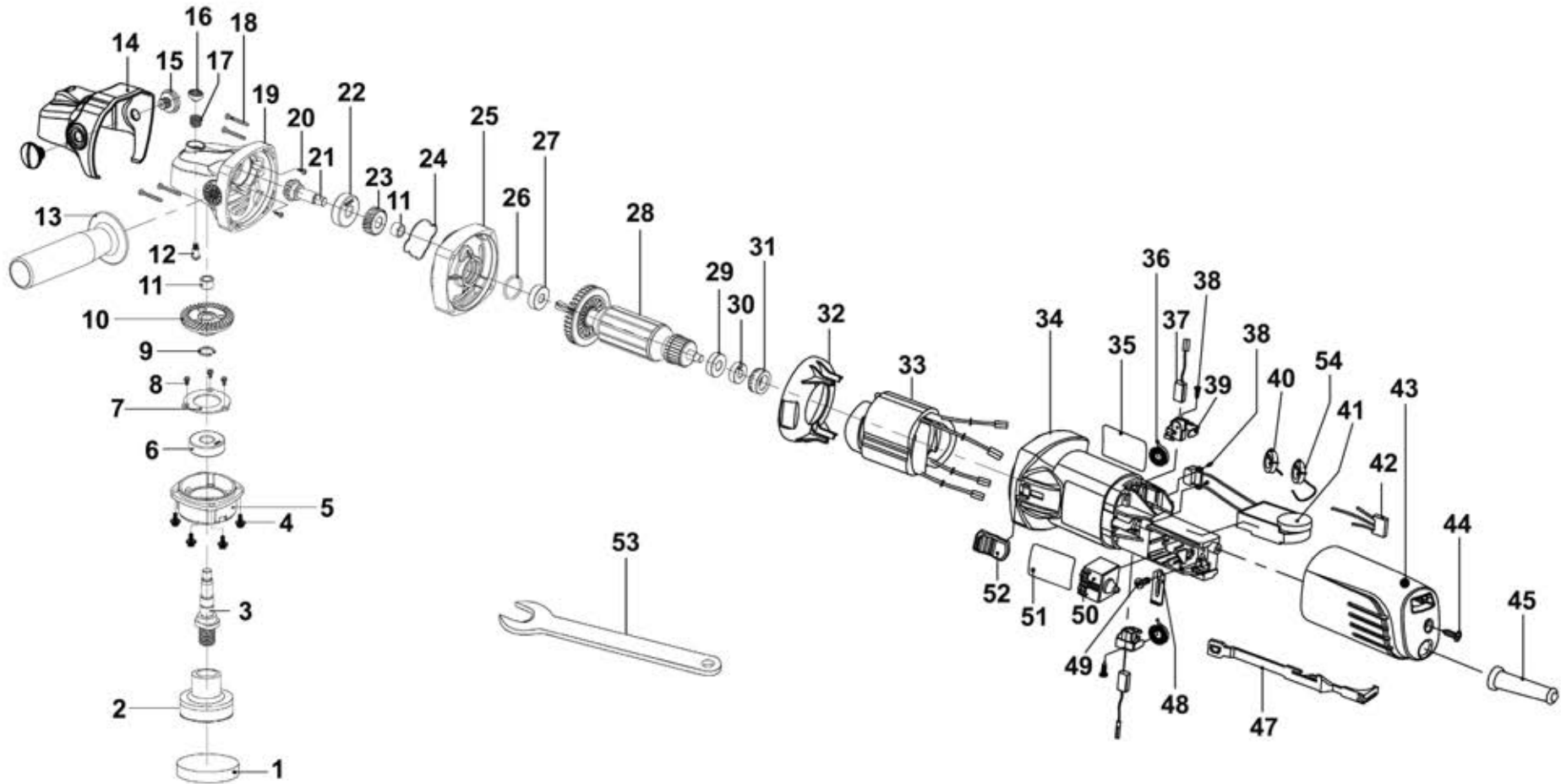




Parts Information:  
Spot Polisher Kit 600W/230V  
Model No: SPK600



**NOTE:** It is our policy to continually improve products and as such we reserve the right to alter data, specifications and component parts without prior notice.

There may be alternative versions of this product, please contact us should you require this information.

**IMPORTANT:** No liability is accepted for incorrect use of product. Spare parts must be fitted by a competent person

**WARRANTY:** Guarantee is 12 months from purchase date, proof of which will be required for any claim.

Sealey Group, Kempson Way, Suffolk Business Park, Bury St Edmunds, Suffolk. IP32 7AR



01284 757500



01284 703534



sales@sealey.co.uk



www.sealey.co.uk



Parts Information:  
**Spot Polisher Kit 600W/230V**  
**Model No: SPK600**

Item	Part No.	Description
1	SPK600.01	Foam Pad
2	SPK600.02	Backing Pad
3	SPK600.03	Output Shaft
4	MSP414.SB	Pan Hd Machine Screw M4x14
5	SPK600.05	Gear Case Cover
6	B/6201-2RS	Bearing 6201-2rs
7	SPK600.07	Bearing Clamp
8	MSP410.SB	Pan Hd Machine Screw M4x10
9	SPK600.09	Circlip For Shaft
10	SPK600.10	Gear
11	SPK600.11	Needle Bearing
12	SPK600.12	Spindle-Lock Pin
13	SPK600.13	Side Handle
14	SPK600.14	Plastic Cover Case
15	SPK600.15	Plastic Cover Screw
16	SPK600.16	Lock Pin Cap
17	SPK600.17	Lock Pin Spring
18	SPK600.18	S/t Screw M4.2X40
19	SPK600.19	Gear Case
20	MSP48.SB	Pan Hd Machine Screw M4X8
21	SPK600.21	Gear Shaft
22	B/6200-2RS	Bearing 6200-2rs
23	SPK600.23	Bevel Gear Z2
24	SPK600.24	Rubber Seal Ring
25	SPK600.25	Bearing Retainer
26	SPK600.26	O-Ring 21.2x1.8
27	B/608	Bearing 608

Item	Part No.	Description
28	SPK600.28	Armature
29	SPK600.29	Magnetic Ring
30	B/607-2RS	Bearing 607-2rs
31	SPK600.31	Rubber Bearing Seat
32	SPK600.32	Air Guide
33	SPK600.33	Field Coil
34	SPK600.34	Field Coil Case
35	SPK600.35	Label (Speed)
36	SPK600.36	Carbon Brush Spring
37	SPK600.37	Carbon Brush 5x8x15
38	SG115.V2-39	S/t Screw M2.9X8
39	SPK600.39	Carbon Brush Holder
40	SPK600.40	Inductor (Short)
41	SPK600.41	Speed Control Ass'y
42	SPK600.42	Capacitor
43	SPK600.43	Rear Cover
44	G1000EV4-CPT	S/t Screw M4.2X13
45	SPK600.45	Cord Sleeve
47	SPK600.47	Switch Push Lever
48	SPK600.48	Cord Clamp
49	SM1302.01	S/t Screw M4.2x10
50	SPK600.50	Switch
51	SPK600.51	Label (Product)
52	SPK600.52	Switch Push Button
53	SPK600.53	Wrench 17mm
54	SPK600.54	Inductor (Long)

**NOTE:** It is our policy to continually improve products and as such we reserve the right to alter data, specifications and component parts without prior notice. There may be alternative versions of this product, please contact us should you require this information.

**IMPORTANT:** No liability is accepted for incorrect use of product. Spare parts must be fitted by a competent person

**WARRANTY:** Guarantee is 12 months from purchase date, proof of which will be required for any claim.

**Sealey Group**, Kempson Way, Suffolk Business Park, Bury St Edmunds, Suffolk. IP32 7AR



01284 757500



01284 703534



sales@sealey.co.uk



www.sealey.co.uk