



6 TONNE VERTICAL TYPE LOG SPLITTER

550MM CAPACITY

MODEL NO: **LS550V**

Thank you for purchasing a Sealey product. Manufactured to a high standard, this product will, if used according to these instructions, and properly maintained, give you years of trouble free performance.

IMPORTANT: PLEASE READ THESE INSTRUCTIONS CAREFULLY. NOTE THE SAFE OPERATIONAL REQUIREMENTS, WARNINGS & CAUTIONS. USE THE PRODUCT CORRECTLY AND WITH CARE FOR THE PURPOSE FOR WHICH IT IS INTENDED. FAILURE TO DO SO MAY CAUSE DAMAGE AND/OR PERSONAL INJURY AND WILL INVALIDATE THE WARRANTY. KEEP THESE INSTRUCTIONS SAFE FOR FUTURE USE.



Refer to instruction manual



Wear protective gloves



Wear eye protection



Wear ear protection



Wear protective clothing



Warning!



Warning!: No reaching in.



Keep out of rain



Wear safety footwear

1. SAFETY

1.1. ELECTRICAL SAFETY

- ❑ **WARNING!** It is the user's responsibility to check the following:

Check all electrical equipment and appliances to ensure that they are safe before using. Inspect power supply leads, plugs and all electrical connections for wear and damage. Sealey recommend that an RCD (Residual Current Device) is used with all electrical products. You may obtain an RCD by contacting your local Sealey stockist.

If the product is used in the course of business duties, it must be maintained in a safe condition and routinely PAT (Portable Appliance Test) tested.

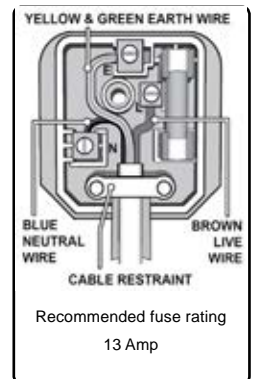
Electrical safety information, it is important that the following information is read and understood.

- 1.1.1. Ensure that the insulation on all cables and on the appliance is safe before connecting it to the power supply.
- 1.1.2. Regularly inspect power supply cables and plugs for wear or damage and check all connections to ensure that they are secure.
- 1.1.3. **Important:** Ensure that the voltage rating on the appliance suits the power supply to be used and that the plug is fitted with the correct fuse - see fuse rating in these instructions.

- * **DO NOT** pull or carry the appliance by the power cable.
- * **DO NOT** pull the plug from the socket by the cable.
- * **DO NOT** use worn or damaged cables, plugs or connectors. Ensure that any faulty item is repaired or replaced immediately by a qualified electrician.

- ❑ **WARNING!** Before starting any repair, maintenance or cleaning always disconnect the power.

- 1.1.4. This product is fitted with a BS1363/A 13 Amp 3 pin plug.
If the cable or plug is damaged during use, switch the electricity supply and remove from use.
Ensure that repairs are carried out by a qualified electrician.
Replace a damaged plug with a BS1363/A 13 Amp 3 pin plug. If in doubt contact a qualified electrician.
a) Connect the GREEN/YELLOW earth wire to the earth terminal 'E'.
b) Connect the BROWN live wire to the live terminal 'L'.
c) Connect the BLUE neutral wire to the neutral terminal 'N'.
Ensure that the cable outer sheath extends inside the cable restraint and that the restraint is tight.
Sealey recommend that repairs are carried out by a qualified electrician.



1.2. SAFETY AND MAINTENANCE

- ✓ Keep the log splitter clean for best and safest performance.
- ✓ Maintain the log splitter in good condition (use an authorised service agent).
- ✓ Prior to every use check all electrical connections, hydraulic pipes, hoses and safety / stopping devices.
- ✓ Use a qualified person to lubricate and maintain the log splitter.
- * **DO NOT** use brake fluid to top up hydraulic unit.
- * **DO NOT** operate the log splitter if damaged.
- ✓ Replace or repair damaged parts. *Use genuine parts only. Unauthorised parts may be dangerous and will invalidate the warranty.*

1.3. WORKSHOP/ENVIRONMENTAL SAFETY

- ✓ Locate the log splitter on dry, level and solid ground in a suitable work area with adequate lighting. Fix securely in place using anchor bolts.
- ✓ Keep the area clean and tidy and free from unrelated materials. **DO NOT** leave tools, logs or other items lying around where they could become a tripping hazard.
- * **DO NOT** operate the log splitter in wet or damp areas or expose it to rain.
- * **DO NOT** operate the log splitter in areas where fumes from paint, solvents, or flammable liquids pose a potential hazard.

1.4. OPERATOR SAFETY

- ✓ Remove ill fitting clothing. Remove ties, watches, rings and other loose jewellery, and contain long hair.
- ✓ Wear protective, electrically non conductive gloves.
- ✓ Always wear safety goggles. Everyday spectacles are not sufficient protection.
- ✓ Maintain correct balance and footing, **DO NOT** over-reach. Ensure the floor is not slippery and wear non-slip, protective footwear.
- * **DO NOT** allow untrained persons to operate the log splitter.
- * **DO NOT** operate the log splitter with the guards or guides removed.
- * **DO NOT** operate the log splitter when you are tired or under the influence of alcohol, drugs or intoxicating medication.
- * **DO NOT** attempt to load a log until the log pusher has returned to the stop position.
- ✓ Stay alert and always pay attention to the movement of the machine and the work piece.
- ✓ The log splitter must always be operated by one person only.

- ✓ Keep hands away from the moving parts of the log splitter.
 - ✓ Keep hands away from splits and cracks which open in logs. They may close suddenly and crush or cut off parts of your hands.
 - ☐ **WARNING!** Ensure power is switched off before attempting to clear jammed logs.
 - ✓ For this reason do not attempt to remove jammed logs by hand. A jammed log is a log which is only partially split and continues to grip the splitting wedge. See section 6.5 for instruction on removing jammed logs.
- 1.5. SAFETY OF OTHERS**
- ✗ **DO NOT** allow another person to help you with a jammed log.
 - ✓ Keep children and unauthorised persons away from the work area.
 - ✓ The log splitter must always be operated by one person only. Other people must keep a safe distance from the log splitter especially when it is in operation.
 - ✓ Store the log splitter in a safe area away from children and other people not qualified to use the log splitter.
- 1.6. GENERAL SAFETY**
- ✗ **DO NOT** make any modifications to the log splitter.
 - ✗ **DO NOT** leave the machine unattended when running.
 - ✗ **DO NOT** exceed the stated log capacity of the log splitter.
 - ✗ **DO NOT** use the log splitter for a task it is not designed to perform.
 - ✗ **DO NOT** leave the log splitter until the splitting wedge has returned to the start position.
 - ✗ **DO NOT** force the log splitter to work beyond its specified capacity.
 - ✓ Ensure that there are no nails, screws or other foreign objects in logs to be split.
 - ✓ The end of logs should be cut square
 - ✓ Logs should not be of an irregular shape.
 - ☐ **WARNING!** The warnings, cautions and instructions referred to in this manual cannot cover all possible conditions and situations that may occur. It must be understood that common sense and caution are factors which cannot be built into this product, but must be applied by the operator.

2. INTRODUCTION

Safe and easy way to split logs, offering continuous sizing and up to 6tonne of pressure. Adjustable wedge allows workpiece to be as near to wedge as possible minimising splitting time. Features a two hand safety operation, twin pull-in and push-down levers. Fitted with new CE standard guard.

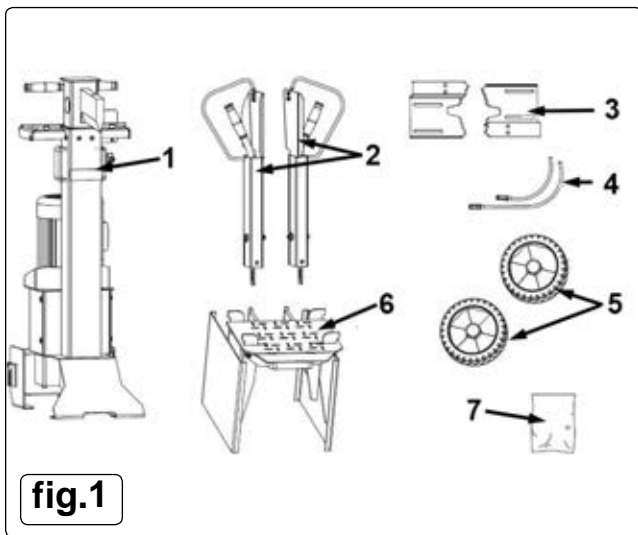
3. SPECIFICATION

Model No:LS550V
 Tier Log Lengths..... 100 - 550mm
 Maximum Log Diameter300mm
 Maximum Log Length.....550mm
 Minimum Log Diameter80mm
 Minimum Log Length.....100mm
 Vertical Ram Travel495mm

Maximum Load Pressure6tonne
 Motor Power:3000W - 230V
 Overall (W x L x H):915 x 840 x 1495mm

4. UNPACKING AND CONTENTS

- 4.1. UNPACKING**
- 4.1.1. At least two people will be required to unpack the log splitter as it is very heavy.
 - 4.1.2. Select a flat and clear area in which to work preferably at or near the working location for the splitter.
 - 4.1.3. Ensure the package is the correct way up (see labelling on package). Tip over at 45 degrees whilst fully supporting it (suggest against a wall and chock) and open it at the wheels/base end of the log splitter. Return the package to the upright position and rotate it through 180 degrees. Repeat the opening process.
 - 4.1.4. With the package in the upright position, carefully slide the packaging up and off the log splitter.
- 4.2. CONTENTS(fig.1)**



Item no.	Description	Quantity
1	Log splitter frame	1 off
2	Control lever and guard assy.	1 off
3	Adjustable log holder	2 parts
4	Retainer 1 and Retainer 2	1 each
5	Wheels	2 off
6	Support table	1 off
7	Hardware bag (see figs.2, 4, and 5 for content details)	1 off

5. ASSEMBLY

5.1. WHEELS (fig.2)

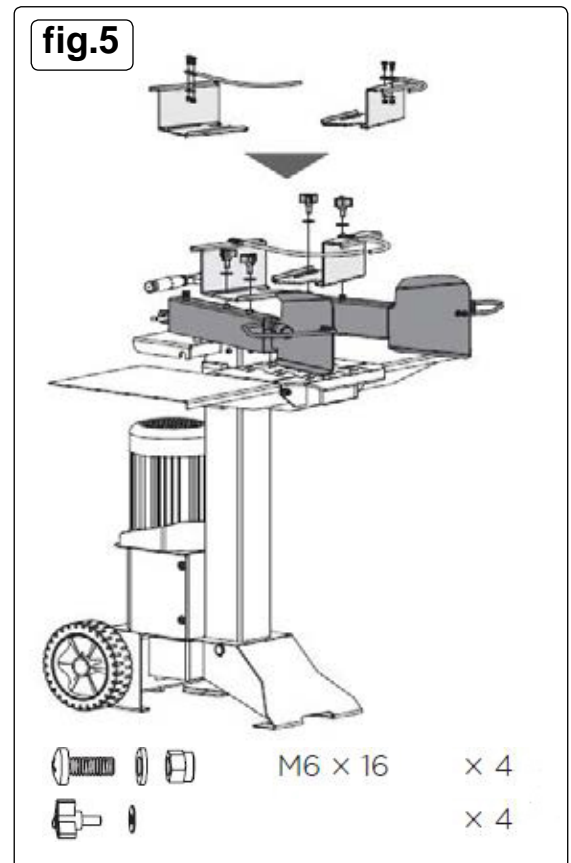
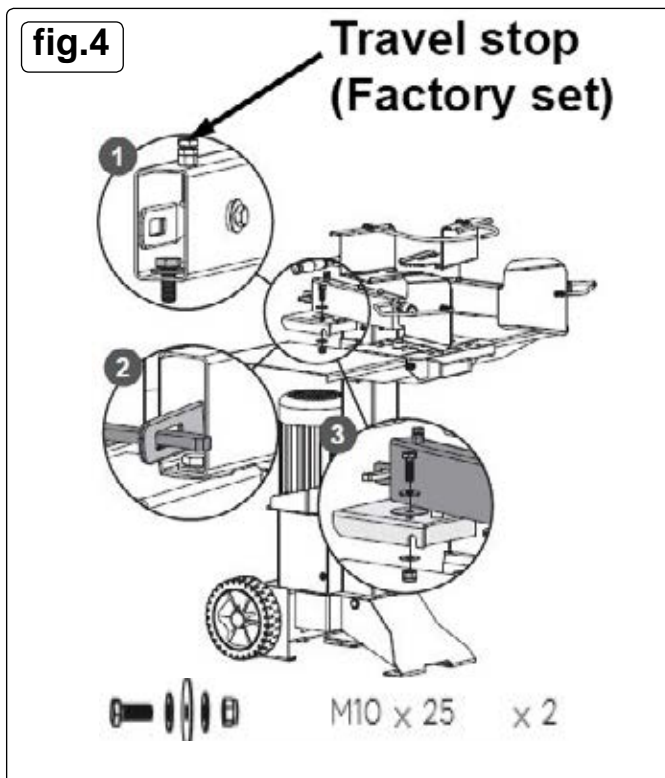
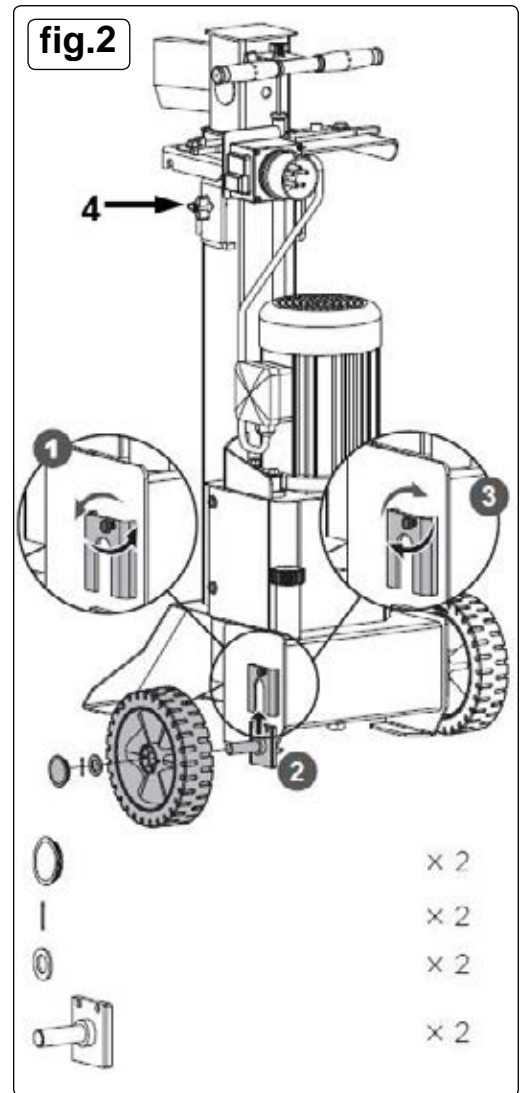
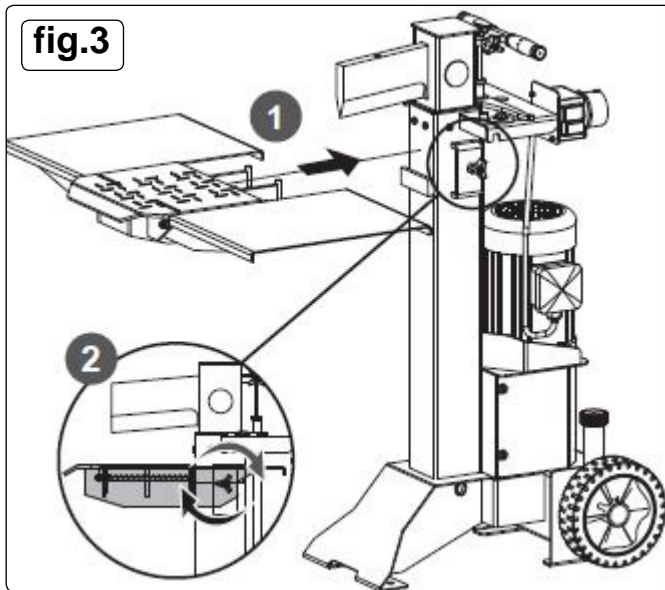
- 5.1.1. Loosen wheel hub mounting brackets (fig.2.1).
- 5.1.2. Slide wheel shaft assemblies into brackets and tighten in situ (fig.2.2, fig.2.3).
- 5.1.3. Slide wheels onto shafts followed by washers and pin in place using split pin.
- 5.1.4. Fit wheel hub caps into wheel centre.

5.2. SUPPORT TABLE (fig.2, fig.3)

- 5.2.1. Loosen support table locking knob on splitter frame (fig.2.4).
- 5.2.2. Fully unfold Support table (fig.1.6) and insert hook features into the mounting brackets on the splitter frame (fig.3.1). Re-tighten the locking knob to firmly hold support table in place (fig.3.2).

5.3. CONTROL LEVER AND GUARD ASSY (fig.1.2, fig.4)

- 5.3.1. Insert M10 x 25 bolts and washers into holes at end of guard tubes (fig.4.1).
- 5.3.2. Locate control lever section into slot at end of control arm (fig.4.2).
- 5.3.3. Place large flat washer (supplied) between lever support bracket and control lever section and secure firmly in place using washer and nut from underside (fig.4.3).
- 5.3.4. Factory set travel stops are positioned at the end of the control arm (fig.4.1). Arm travel can be adjusted if required by screwing the stops either in or out.



5.4. ADJUSTABLE LOG HOLDER (fig.5)

5.4.1. Use locking knobs and associated washers to mount the log holders (fig.1.3) in place.

5.4.2. Use M6 x 16 bolts, washers and nuts to fix retainers (fig.1.4) in place. Ensure that the retainers form an all-round figure when control levers are brought together.

6. OPERATION

6.1. TRANSPORT (fig.6, fig.7)

WARNING! The item is very heavy. Always get help to move it.

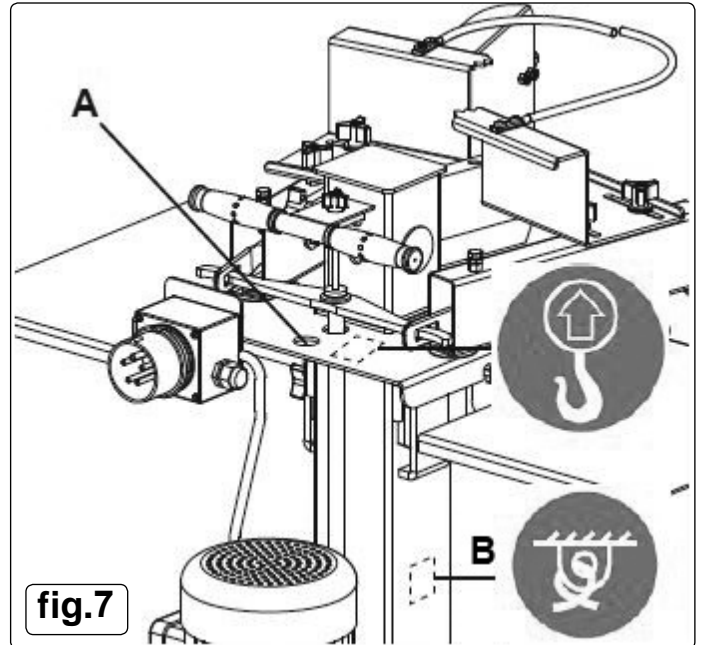
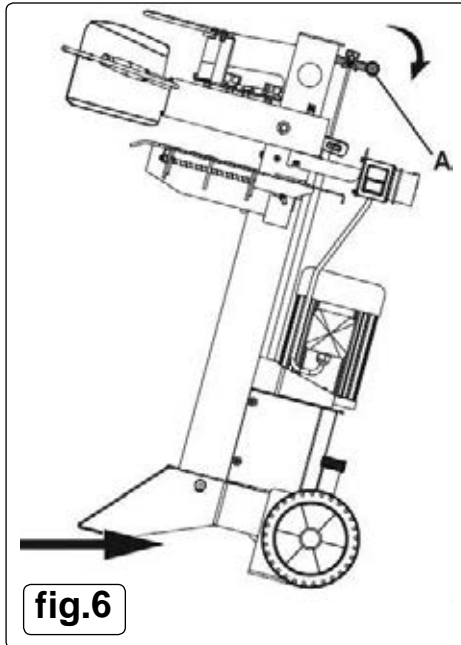
WARNING! Disconnect from power supply before attempting to move splitter.

6.1.1. To move the splitter small distances it has two wheels and a hand grip at its top.

6.1.2. Tilt the splitter slightly backward after making sure that the oil tank cap is firmly fitted to prevent any spillage.

6.1.3. If using a crane to move the splitter, lay hoist sling at the lifting point (fig.7A).

6.1.4. If transporting over distance, fasten the log splitter at fastening point (fig.7B) to prevent free movement during transportation.



6.1.5. Before starting splitting ensure the machine is on flat level ground and firmly fixed down i.e. use anchor bolts or similar (not supplied).

6.2. SPLITTER OPERATION

WARNING! Ensure you read, understand and apply the safety instructions before use.

WARNING! This system has been designed to prevent the operator from handling the log during the splitting process. For safety reasons the operator must not ask a second person to place or handle the log. The system is designed to be operated by one person only.

WARNING! Always split a log along its grain. Never attempt to split a log laid across the machine as this could be dangerous for the operator and could seriously damage the machine.

WARNING! Never attempt to split a log if it is sitting at an angle.

6.2.1. Ensure that the power supply cable to the log splitter is routed so as not to be a tripping hazard or be positioned in such a way as to be prone to damage or pulling.

6.2.2. In low temperature conditions preheat the hydraulic oil by running the motor under no load for 15 minutes prior to commencing work.

6.2.3. Before starting the motor, open the Air Bleed (fig.8), loosen the oil tank cap a few turns. Re-tighten cap when machine is not being used to avoid spillage.

6.2.4. Before splitting any logs you must check that the safety feature of two handed operation of the control levers functions properly by doing the following tests:

6.2.4.1. Turn on the motor. Push down on both control levers. The splitting wedge should lower to approximately 5cm above the highest table position.

6.2.4.2. If either of the control levers is released the splitting wedge should remain in the original position.

6.2.4.3. When both levers are released the ram should rise to its highest position automatically.

6.3. STROKE ADJUSTMENT (fig.9)

6.3.1. When many logs of approximately the same length are to be split, the ram stroke can be set to avoid having to wait for the ram to operate through its full stroke every time. See fig.9.

6.3.2. Hold down both control levers and move the splitting wedge down to the desired starting position being 3 to 5cm above the log to be split.

6.3.3. Release one of the control levers and switch the motor off. The splitting wedge should remain where it is.

6.3.4. Release the locking knob (fig.9.A) and raise the adjusting rod (fig.9.B) using the knob on its end until spring resistance is felt. Tighten the locking knob (fig.9.A).

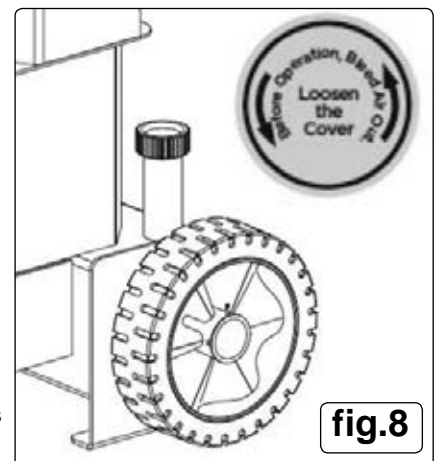
6.3.5. Release both levers and turn on motor. Check height setting is as required.

6.4. LOG SPLITTING (fig.10, fig.11)

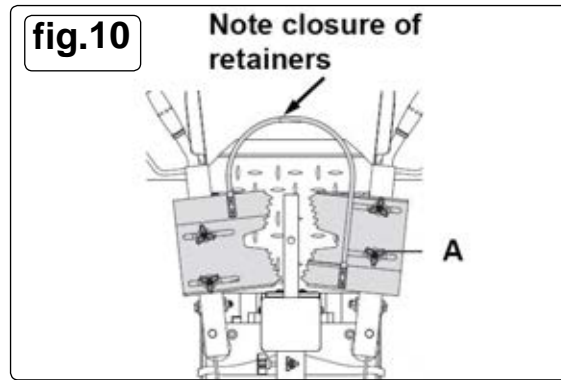
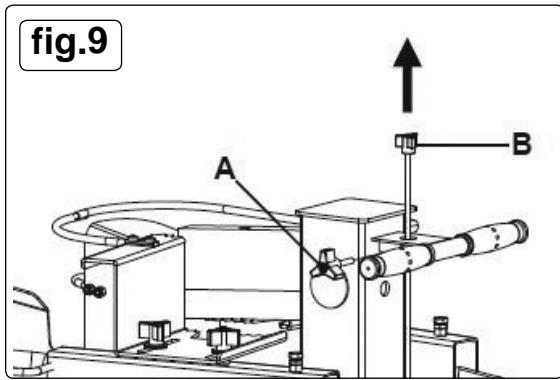
6.4.1. Place log vertically onto the support table. It is essential that the wedge and support table contact the log square on.

NOTE: Never attempt to split a log if it is sitting at an angle.

6.4.2. Adjust the log holders (fig.10.A) to suit the diameter of the log. This will allow the user to obtain the most comfortable angle for levers.

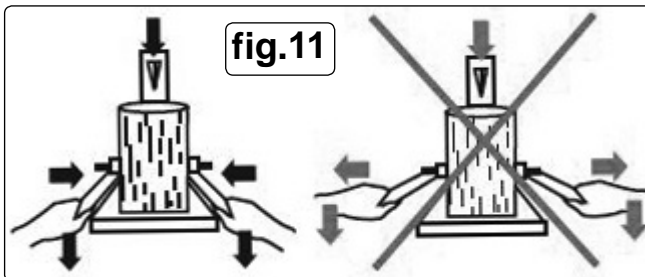


6.4.3. The retainers (fig.1.4) should meet to ensure additional safety and guarding for the user (fig.9, fig.10). Adjust if necessary.



6.4.4. Take hold of the control handles and move the guard assemblies inwards (fig.11) until the serrated log clamps make contact with the log. **DO NOT** press the control handles down until the log is firmly gripped as shown in fig.11.

6.4.5. Push the control levers down to start the splitting. Releasing either lever stops the motion of the splitting wedge. When both handles are released the wedge returns to the start position.



6.5. JAMMED LOGS

6.5.1. Use extreme care when dealing with log jams. **DO NOT** attempt to reach into the machine.

6.5.2. If a log jam occurs release both control arms and switch off the motor.

6.5.3. Using a previously split log section and a large mallet (wooden or rubber) to strike the jammed log from above in order to dislodge it from the splitter blade. Be aware that the jammed log may fall off the blade with little warning so proceed with ever increasing hard strikes until it shows signs of detaching from the blade.

7. MAINTENANCE

WARNING! Disconnect from power supply before undertaking any maintenance.

7.1. CHECKING THE OIL

7.2. Check the oil level regularly as low oil levels can damage the pump. **Sealey hydraulic oil is available in 500ml containers (Part no: HJO500MLS) or 5ltr containers (Part no: HJO5LS).**

7.2.1. Ensure the log splitter is disconnected from the mains power supply.

7.2.2. Ensure that no dirt or debris enters the oil tank.

7.2.3. Unscrew the oil filler cap which has a dipstick attached to it. The oil should reach the top of the flattened portion of the dipstick which is equivalent to the oil being 1 to 2cm lower than the upper surface of the tank.

7.2.4. The oil should be completely changed once a year.

7.2.5. Following an oil change the log splitter should be operated a few times without actually splitting.

7.2.6. The old oil should be responsibly recycled according to local authority regulations.

7.3. **SHARPENING THE WEDGE** After prolonged use the splitting wedge may become dulled. When required sharpen using a fine toothed file.

8. TROUBLESHOOTING

Symptom	POSSIBLE CAUSE	SOLUTION
Motor does not start	No current present.	Check main fuse
	Extension cable defective	Unplug, check and /or replace
	Switch or capacitor defective	Contact service agent and/or electrician
Incorrect motor rotation	Incorrect connection	Contact service agent and/or electrician
Motor is running but log splitter does not work	Valve not opening due to loosening of mechanism	Check and tighten parts
	Control levers or connection parts bent	Repair/replace bent parts
	Hydraulic oil level low	Top up oil level
Abnormal vibration and noise when log splitter is working	Hydraulic oil level low	Top up oil level



ENVIRONMENT PROTECTION

Recycle unwanted materials instead of disposing of them as waste. All tools, accessories and packaging should be sorted, taken to a recycling centre and disposed of in a manner which is compatible with the environment. When the product becomes completely unserviceable and requires disposal, drain any fluids (if applicable) into approved containers and dispose of the product and fluids according to local regulations.



WEEE REGULATIONS

Dispose of this product at the end of its working life in compliance with the EU Directive on Waste Electrical and Electronic Equipment (WEEE). When the product is no longer required, it must be disposed of in an environmentally protective way. Contact your local solid waste authority for recycling information.

Note: It is our policy to continually improve products and as such we reserve the right to alter data, specifications and component parts without prior notice.

Important: No Liability is accepted for incorrect use of this product.

Warranty: Guarantee is 12 months from purchase date, proof of which is required for any claim.

Sealey Group, Kempson Way, Suffolk Business Park, Bury St Edmunds, Suffolk. IP32 7AR



01284 757500



01284 703534



sales@sealey.co.uk



www.sealey.co.uk