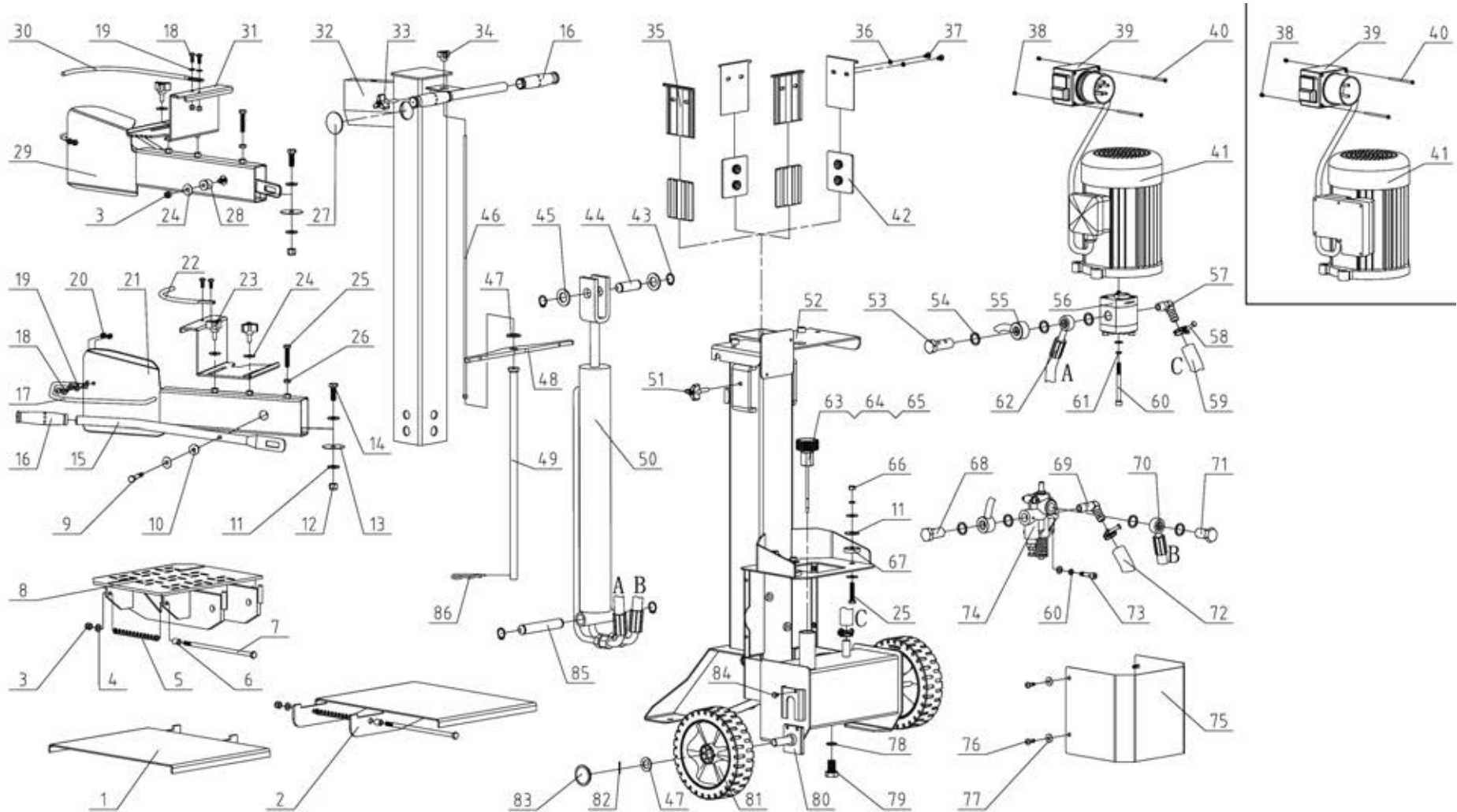




Parts Information:
Log Splitter 6tonne 550mm Capacity Vertical Type
Model No: LS550V



NOTE: It is our policy to continually improve products and as such we reserve the right to alter data, specifications and component parts without prior notice.

There may be alternative versions of this product, please contact us should you require this information.

IMPORTANT: No liability is accepted for incorrect use of product. Spare parts must be fitted by a competent person

WARRANTY: Guarantee is 12 months from purchase date, proof of which will be required for any claim.

Sealey Group, Kempson Way, Suffolk Business Park, Bury St Edmunds, Suffolk. IP32 7AR



01284 757500



01284 703534



sales@sealey.co.uk



www.sealey.co.uk



Parts Information:
**Log Splitter 6tonne 550mm Capacity
 Vertical Type
 Model No: LS550V**

Item	Part No.	Description
1	LS550V.01	Side Support Plate (B)
2	LS550V.02	Side Support Plate (A)
3	NLN8.S	Nyloc Nut M8 Zinc
4	FWM8.S	Flat Washer M8 Zinc
5	LS550V.05	Support Plate Spring
6	LS550V.06	Bush / Bush
7	LS550V.07	Hex Head Bolt M8x210mm
8	LS550V.08	Log Support
9	HHB860.S	Hex Head Bolt M8 x 60 Zinc
10	LS550V.10	Bush
11	FWM10.S	Flat Washer M10 Zinc
12	NLN10.S	Nyloc Nut M10 Zinc
13	FWM10.S	Flat Washer M10 Zinc
14	SS1025.S	Hex Head Set Screw M10 x 25 Zinc
15	LS550V.15	Operating Handle
16	LS550V.16	Handle Grip
17	LS550V.17	Guard Ring
18	SS816.S	Hex Head Set Screw M8 x 16 Zinc
19	FWM6.S	Flat Washer M6 Zinc
20	NLN6.S	Nyloc Nut M6 Zinc
21	LS550V.21	Right Arm Ass'y
22	LS550V.22	Retainer (1)
23	LS550V.23	Clamp Threaded Knob
24	FWM8.S	Flat Washer M8 Zinc
25	SS845.S	Hex Head Set Screw M8 x 45 Zinc
26	SN8.S	Steel Nut M8 Zinc
27	LS550V.27	Side Cap
28	LS550V.28	Bush
29	LS550V.29	Left Arm Ass'y
30	LS550V.30	Retainer
31	LS550V.31	Clamp
32	LS550V.32	Splitting Pipe
33	LS550V.33	Threaded Clamp Knob (M6)
34	LS550V.34	Star Nut M5 (Black)
35	LS550V.35	Upper Slide Plate
36	SWM6.S	Spring Washer M6 Zinc
37	SCB68.S	Socket Head Cap Screw Zinc M6x8
38	NLN4.S	Nyloc Nut M4 Zinc
39	LS550V.39	Switch
40	MSP460.S	Machine Screw Pan Head Phillips M4x60mm (Single)
41	LS550V.41	Motor
42	LS550V.42	Lower Slide Plate

Item	Part No.	Description
43	LS550V.43	Retaining Ring 20mm
44	LS550V.44	Short Pin
45	FWM20.S	Flat washer m20 single
46	LS550V.46	Pull Rod
47	FWM16.S	Flat Washer M16 Zinc
48	LS550V.48	Lever
49	LS550V.49	Drawer Sleeve
50	LS550V.50	Cylinder
51	LS550V.51	Threaded Clamp Knob (Black)
52	LS550V.52	Main Frame
53	LS550V.53	Oil Plug
54	FWM20.S	Flat Washer M20 Single
55	LS550V.55	Oil Hose
56	LS550V.56	Oil Pump
57	LS550V.57	Nozzle
58	LS550V.58	Hose Clamp
59	LS550V.59	Oil Hose (C)
60	HHB890.S	Hex Head Bolt M8x90mm Single
61	SWM8.S	Spring Washer M8 Zinc
62	LS550V.62	Oil Hose (A)
63	LS550V.63	Oil Cap
64	LS550V.64	Oil Dipstick
65	LS550V.65	O-Ring 25x2.65
66	SN8.S	Steel Nut M8 Zinc
67	LS550V.67	Motor Support
68	LS550V.68	Oil Plug
69	LS550V.69	Nozzle
70	LS550V.70	Oil Hose (B)
71	LS550V.71	Oil Plug
72	LS550V.72	Oil Hose
73	SCB835.S	Socket Head Cap Screw M8x35
74	LS550V.74	Valve
75	LS550V.75	Motor Guard
76	MSP612.S	Machine Screw Pan Head Phillips M6 x 12mm
77	FWM6.S	Flat Washer M6 Zinc
78	FWM16.S	Flat Washer M16 Zinc
79	SS1630.S	Hex Head Set Screw M16 x 30 Zinc
80	LS550V.80	Wheel Axle
81	LS550V.81	Fixed Wheel
82	LS550V.82	Cotter Pin 2x20
83	LS550V.83	Wheel Cap
84	MSP68.S	Machine Screw Pan Head Phillips M6 x 8mm
85	LS550V.85	Long Pin

NOTE: It is our policy to continually improve products and as such we reserve the right to alter data, specifications and component parts without prior notice. There may be alternative versions of this product, please contact us should you require this information.

IMPORTANT: No liability is accepted for incorrect use of product. Spare parts must be fitted by a competent person

WARRANTY: Guarantee is 12 months from purchase date, proof of which will be required for any claim.

Sealey Group, Kempson Way, Suffolk Business Park, Bury St Edmunds, Suffolk. IP32 7AR



01284 757500



01284 703534



sales@sealey.co.uk



www.sealey.co.uk