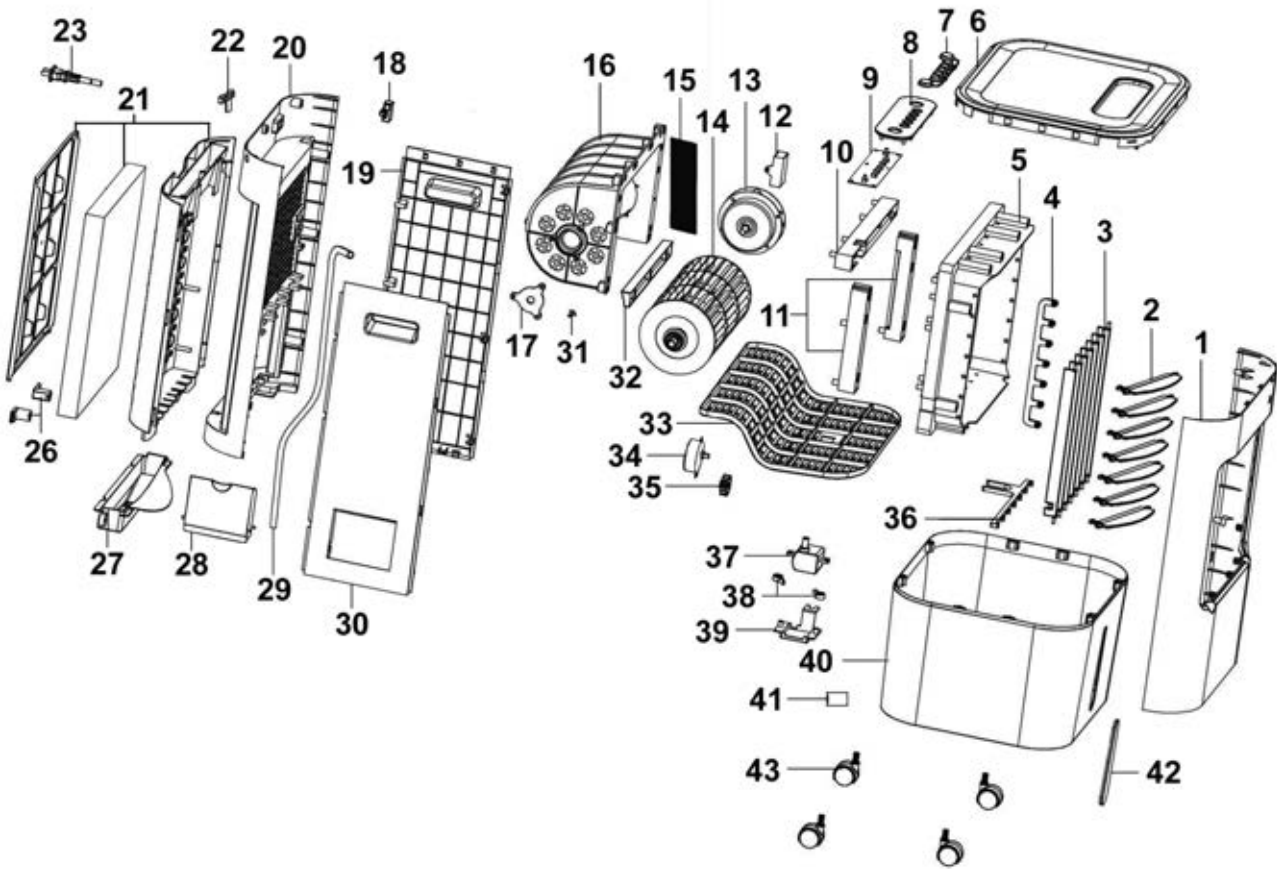


Parts Information:
Air Cooler/Purifier/Humidifier with Remote Control
Model No: SAC13



| Item | Part No. | Description |
|------|----------|-------------------------|
| 1 | SAC13.01 | Front Pane |
| 2 | SAC13.02 | Horizontal Vane |
| 3 | SAC13.03 | Vertical Vane |
| 4 | SAC13.04 | Vane Support Bracket |
| 5 | SAC13.05 | Vane Support Cover |
| 6 | SAC13.06 | Top Cover |
| 7 | SAC13.07 | Control Board |
| 8 | SAC13.08 | LED Display Window |
| 9 | SAC13.09 | Control PCB |
| 10 | SAC13.10 | Support, Left Side |
| 11 | SAC13.11 | Support, Right Side |
| 12 | SAC13.12 | Capacitor |
| 13 | SAC13.13 | Motor |
| 14 | SAC13.14 | Fan |
| 15 | SAC13.15 | Filter |
| 16 | SAC13.16 | Fan Cover |
| 17 | SAC13.17 | Fan Cover Bracket |
| 18 | SAC13.18 | Water Inlet |
| 19 | SAC13.19 | Panel, Left Side |
| 20 | SAC13.20 | Rear Panel |
| 21 | SAC13.21 | Filter Frame c/w filter |

| Item | Part No. | Description |
|------|----------|----------------------------|
| 22 | SAC13.22 | Tension Disc |
| 23 | SAC13.23 | Power Cord |
| 26 | SAC13.26 | Filter Screen Buckle |
| 27 | SAC13.27 | Water Tray |
| 28 | SAC13.28 | Side, Water Tray |
| 29 | SAC13.29 | Water Pipe |
| 30 | SAC13.30 | Panel, Right Side |
| 31 | SAC13.31 | Plastic Clip |
| 32 | SAC13.32 | Fan Deflector |
| 33 | SAC13.33 | Baffle |
| 34 | SAC13.34 | Synchronised Motor |
| 35 | SAC13.35 | Eccentric Gear |
| 36 | SAC13.36 | Vertical Vane Support |
| 37 | SAC13.37 | Pump |
| 38 | SAC13.38 | Pump Lock |
| 39 | SAC13.39 | Pump Holder |
| 40 | SAC13.40 | Water Tank |
| 41 | SAC13.41 | Water Tank Lock |
| 42 | SAC13.42 | Water Level Display Window |
| 43 | SAC13.43 | Universal Wheel |
| -- | SAC13.RC | Remote Control (Not Shown) |

NOTE: It is our policy to continually improve products and as such we reserve the right to alter data, specifications and component parts without prior notice. There may be alternative versions of this product, please contact us should you require this information.

IMPORTANT: No liability is accepted for incorrect use of product. Spare parts must be fitted by a competent person

WARRANTY: Guarantee is 12 months from purchase date, proof of which will be required for any claim.