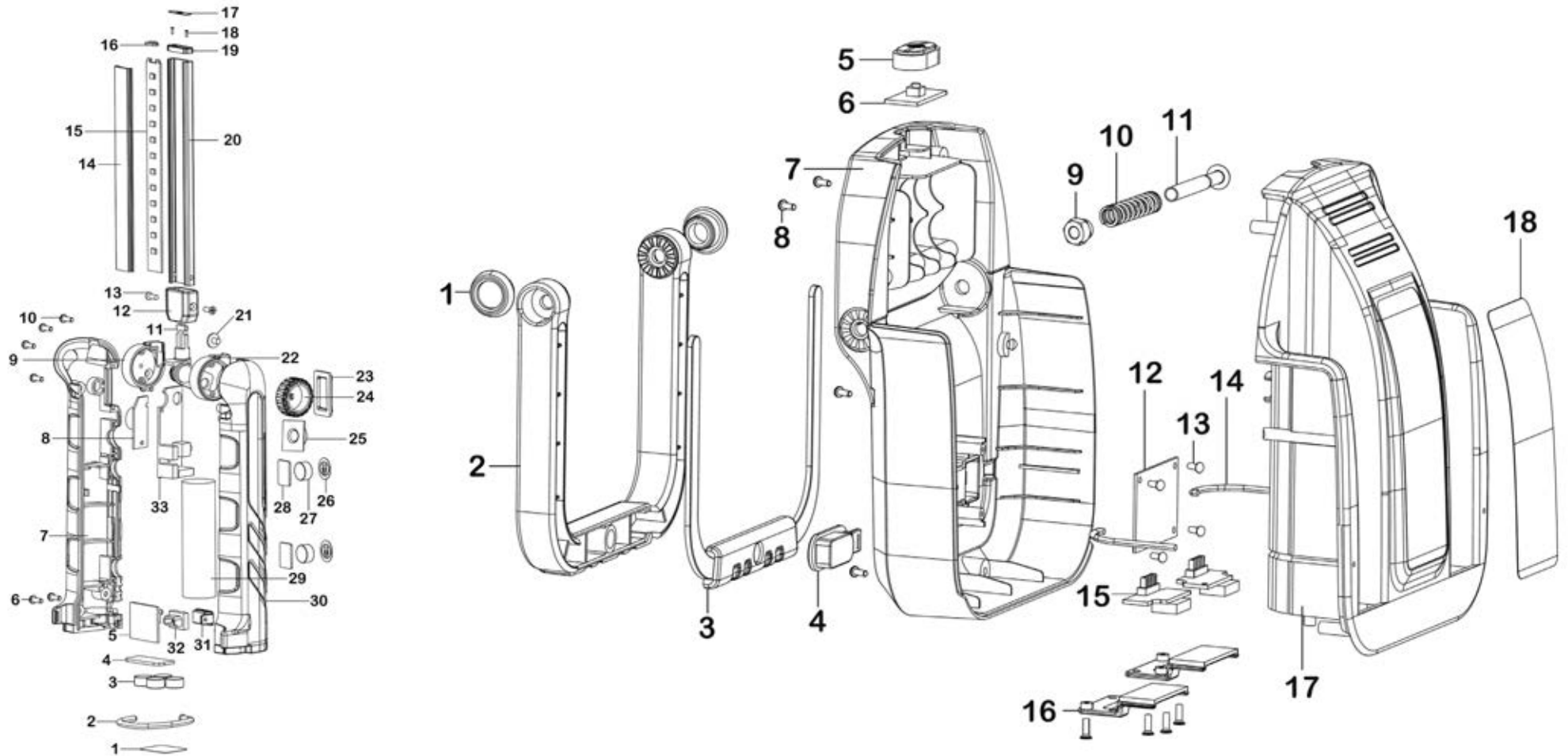




Parts Information:
Rechargeable Floodlight / Inspection Lamp Docking Station Kit
Model No: LED10801K



NOTE: It is our policy to continually improve products and as such we reserve the right to alter data, specifications and component parts without prior notice.

There may be alternative versions of this product, please contact us should you require this information.

IMPORTANT: No liability is accepted for incorrect use of product. Spare parts must be fitted by a competent person

WARRANTY: Guarantee is 12 months from purchase date, proof of which will be required for any claim.

Sealey Group, Kempson Way, Suffolk Business Park, Bury St Edmunds, Suffolk. IP32 7AR



01284 757500



01284 703534



sales@sealey.co.uk



www.sealey.co.uk



Parts Information:
**Rechargeable Floodlight /
Inspection Lamp Docking Model
No: LED10801K**

Item	Part No.	Description
1	LED1801.01	Rubber Pad
2	LED1801.02	Hook
3	LED1801.03	Magnet 10x6
4	LED1801.04	Bottom Plate
5	LED1801.05	USB Charging PCB
6	LED1801.06	Casing Screw 2.5x10
7	LED1801.07	Front Cover
8	LED1801.08	VR Board
9	LED1801.09	Swinging Strut (A)
10	LED1801.10	Casing Screw 2x6
11	LED1801.11	Metal Support Shaft
12	LED1801.12	Lamp Holder Bracket
13	LED1801.13	Lamp Holder Bracket Screw 2.5x7
14	LED1801.14	Front Lens
15	LED1801.15	Main LED Panel
16	LED1801.16	Head LED Plate
17	LED1801.17	Head LED Trim
18	LED1801.18	Screw 1.5x4
19	LED1801.19	Torch Holder
20	LED1801.20	Cooling Plate
21	MSP36.S	Machine Screw Pan Head Phillips M3 X 6mm
22	LED1801.22	Swinging Strut (B)
23	LED1801.23	Switch Bracket
24	LED1801.24	Master Switch
25	LED1801.25	Switch Button
26	LED1801.26	Protection Pad

Item	Part No.	Description
27	LED1801.27	Magnet 10x6
28	LED1801.28	Backing Plate (Metal)
29	LED1801.29	Li-ion Battery
30	LED1801.30	Rear Cover
31	LED1801.31	USB Cover
32	LED1801.32	USB Support
33	LED1801.33	Main Control PCB
1	LED1801K.01	Bracket Trim
2	LED1801K.02	Bracket
3	LED1801K.03	Bracket Cover
4	LED1801K.04	USB Cover
5	LED1801K.05	Switch Cover
6	LED1801K.06	Switch Board
7	LED1801K.07	Rear Cover
8	MSP36.S	Machine Screw Pan Head Phillips M3 X 6mm
9	SN6.S	Steel Nut M6 Zinc
10	LED1801K.10	Spring
11	LED1801K.11	Threaded Rod M6
12	LED1801K.12	USB Board
13	LED1801K.13	Screw 2x6
14	LED1801K.14	Light Guide
15	LED1801K.15	Contact Plate
16	LED1801K.16	Barrier
17	LED1801K.17	Front Cover
18	LED1801K.18	Paster

NOTE: It is our policy to continually improve products and as such we reserve the right to alter data, specifications and component parts without prior notice. There may be alternative versions of this product, please contact us should you require this information.

IMPORTANT: No liability is accepted for incorrect use of product. Spare parts must be fitted by a competent person

WARRANTY: Guarantee is 12 months from purchase date, proof of which will be required for any claim.

Sealey Group, Kempson Way, Suffolk Business Park, Bury St Edmunds, Suffolk. IP32 7AR



01284 757500



01284 703534



sales@sealey.co.uk



www.sealey.co.uk