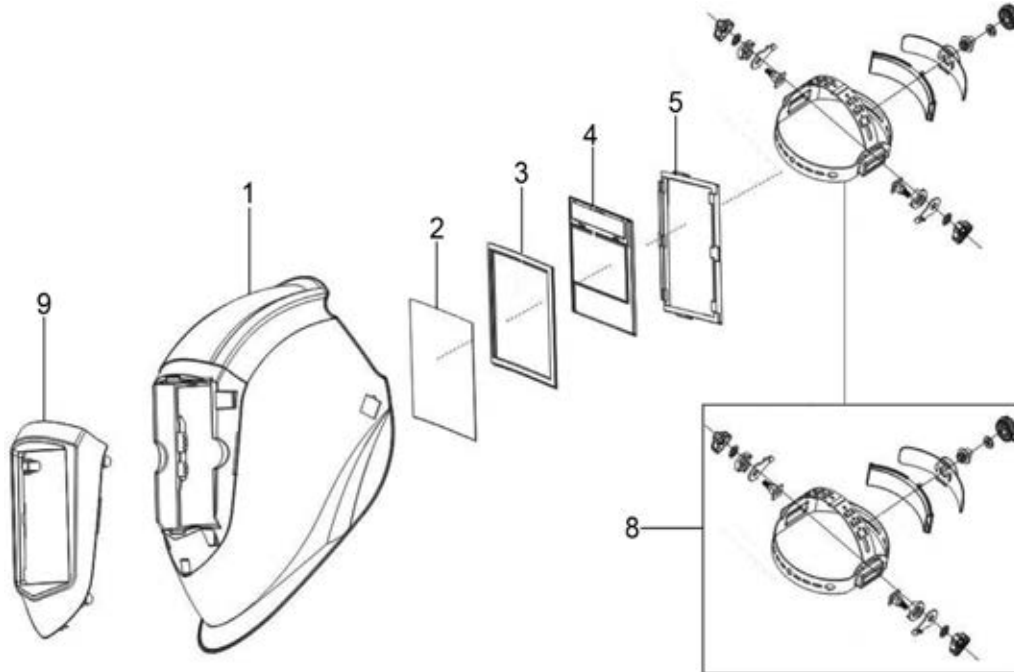


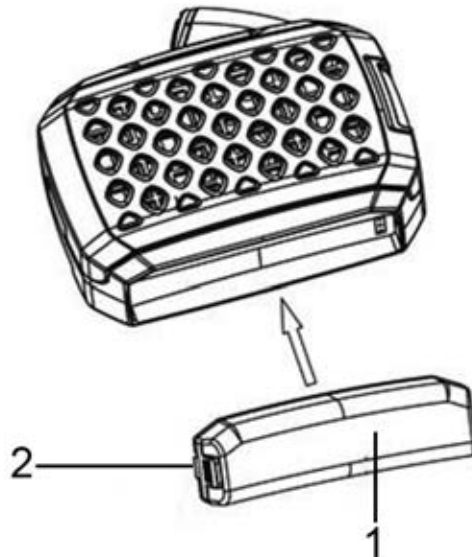


Parts Information:
**Welding Helmet with Powered Air
 Purifying Respirator (PAPR) Auto
 Darkening
 Model No: PWH615**



Item	Part No.	Description
1	PWH615.H01	Helmet
2	PWH615.H02	Front Cover Lens
3	PWH615.H03	Rubber Gasket Seal
4	PWH615.H04	Auto-Darkening Cartridge

Item	Part No.	Description
5	PWH615.H05	Welding Cartridge Frame
8	PWH615.H08	Headgear Adjusting Kit
9	PWH615.H09	Protective Plate



Item	Part No.	Description
1	PWH615.01	Battery
2	PWH615.01A	Lock, Battery

Item	Part No.	Description
--	PWH615.C	Mains Charger (Not Shown)

NOTE: It is our policy to continually improve products and as such we reserve the right to alter data, specifications and component parts without prior notice. There may be alternative versions of this product, please contact us should you require this information.

IMPORTANT: No liability is accepted for incorrect use of product. Spare parts must be fitted by a competent person

WARRANTY: Guarantee is 12 months from purchase date, proof of which will be required for any claim.

Sealey Group, Kempson Way, Suffolk Business Park, Bury St Edmunds, Suffolk. IP32 7AR



01284 757500



01284 703534



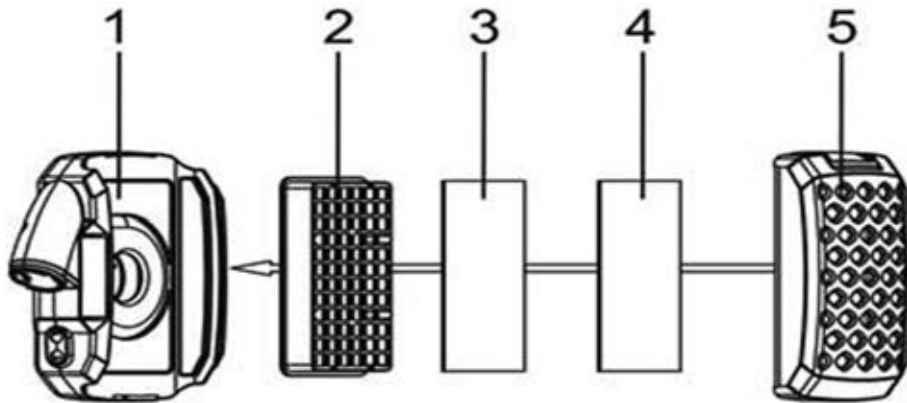
sales@sealey.co.uk



www.sealey.co.uk

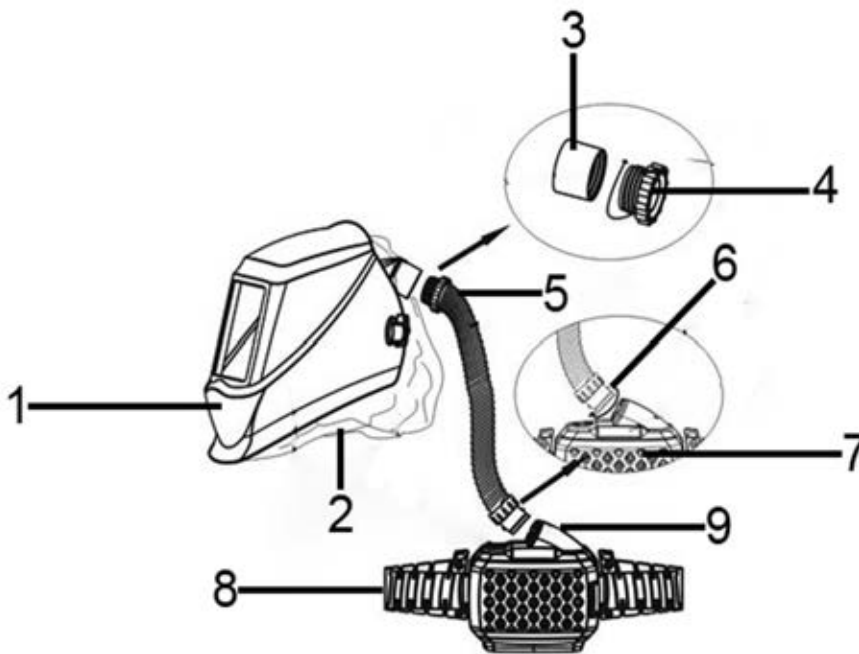


Parts Information:
**Welding Helmet with Powered Air
 Purifying Respirator (PAPR) Auto
 Darkening**
Model No: PWH615



Item	Part No.	Description
1	PWH615.RU01	Filter Body
2	PWH615.02	Filter
3	PWH615.RU03	Foam Filter

Item	Part No.	Description
4	PWH615.RU04	Filter Screen
5	PWH615.RU05	Filter Cover



Item	Part No.	Description
1	PWH615.M01	Headshield
2	PWH615.M02	Face Seal
3	PWH615.M03	Headgear Terminal
4	PWH615.M04	Breathing Tube A
5	PWH615.M05	Breathing Hose

Item	Part No.	Description
6	PWH615.M06	Breathing Tube B
7	PWH615.M07	Respirator Unit
8	PWH615.M08	Belt
9	PWH615.M09	Respirator Connector

NOTE: It is our policy to continually improve products and as such we reserve the right to alter data, specifications and component parts without prior notice. There may be alternative versions of this product, please contact us should you require this information.

IMPORTANT: No liability is accepted for incorrect use of product. Spare parts must be fitted by a competent person

WARRANTY: Guarantee is 12 months from purchase date, proof of which will be required for any claim.

Sealey Group, Kempson Way, Suffolk Business Park, Bury St Edmunds, Suffolk. IP32 7AR



01284 757500



01284 703534



sales@sealey.co.uk



www.sealey.co.uk