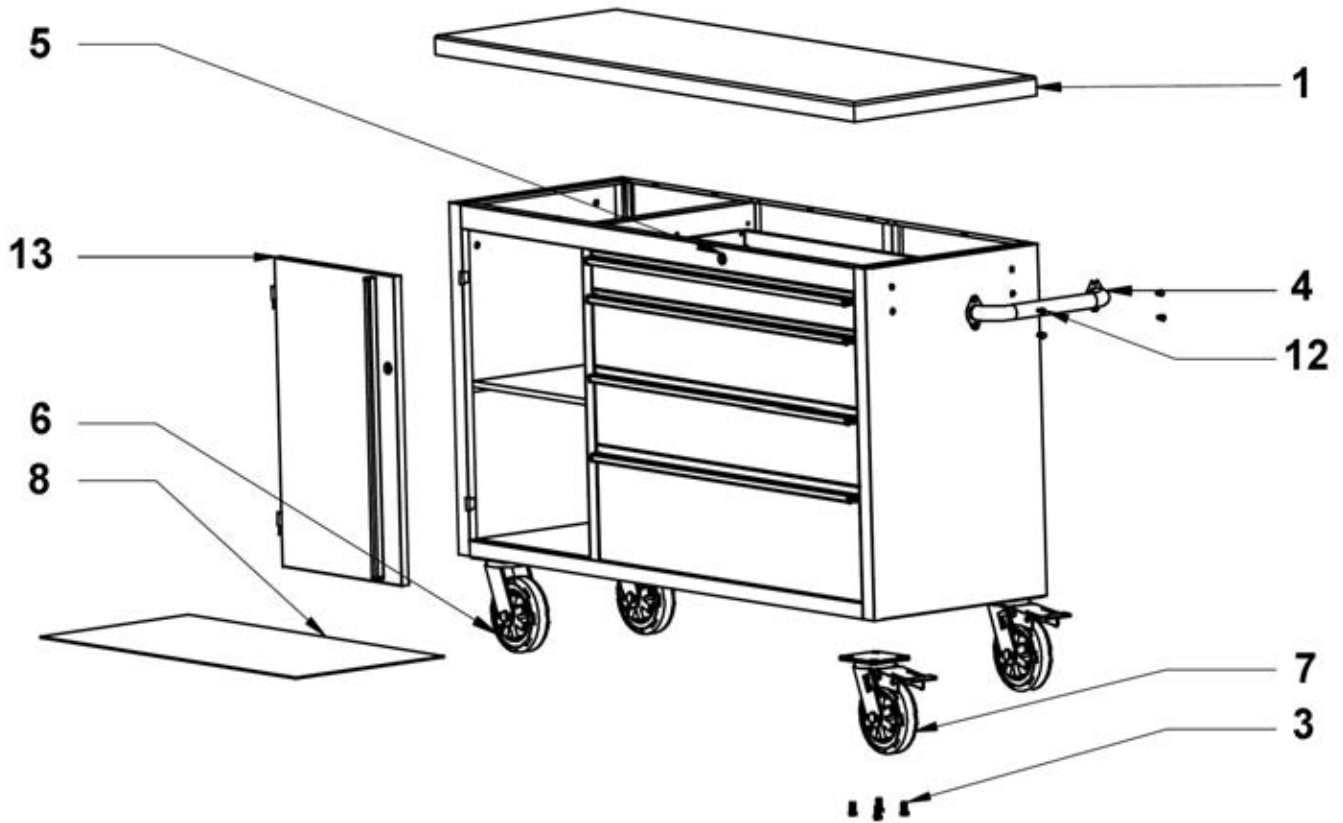




Parts Information:
Mobile Stainless Steel Tool Cabinet
4 Drawer
Model No: AP4804SS



Item	Part No.	Description
1	AP4804SS.01	Top Panel
3	SFS1025.S	Hex Head Flange Bolt M10 x 25 Zinc
4	AP5510SS.04	Hex Bolt 1/4"x12mm
5	AP4804SS.05	Lock & Key Set
6	AP4804SS.06	Fixed Castor 5"
7	AP4804SS.07	Swivel Castor w/brake 5"
8	AP4804SS.08	Drawer Liner

Item	Part No.	Description
12	AP4804SS.12	Side Handle
13	AP4804SS.13	Cabinet Door
--	AP4804SS.02	Bearing Slide Set (Not Shown)
--	AP4804SS.09	Aluminium Drawer Handle (Not Shown)
--	AP4804SS.10	Aluminium Door Handle (Not Shown)
--	AP4804SS.11	Side Trim (Not Shown)

NOTE: It is our policy to continually improve products and as such we reserve the right to alter data, specifications and component parts without prior notice. There may be alternative versions of this product, please contact us should you require this information.

IMPORTANT: No liability is accepted for incorrect use of product. Spare parts must be fitted by a competent person

WARRANTY: Guarantee is 12 months from purchase date, proof of which will be required for any claim.

Sealey Group, Kempson Way, Suffolk Business Park, Bury St Edmunds, Suffolk. IP32 7AR



01284 757500



01284 703534



sales@sealey.co.uk



www.sealey.co.uk