



4 DRAWER STAINLESS STEEL

MOBILE TOOL CABINET

MODEL NO: **AP4804SS**

Thank you for purchasing a Sealey product. Manufactured to a high standard, this product will, if used according to these instructions, and properly maintained, give you years of trouble free performance.

IMPORTANT: PLEASE READ THESE INSTRUCTIONS CAREFULLY. NOTE THE SAFE OPERATIONAL REQUIREMENTS, WARNINGS & CAUTIONS. USE THE PRODUCT CORRECTLY AND WITH CARE FOR THE PURPOSE FOR WHICH IT IS INTENDED. FAILURE TO DO SO MAY CAUSE DAMAGE AND/OR PERSONAL INJURY AND WILL INVALIDATE THE WARRANTY. KEEP THESE INSTRUCTIONS SAFE FOR FUTURE USE.



Refer to
Instruction
Manual



Wear
Protective
gloves

1. SAFETY

- WARNING!** Ensure Health & Safety, local authority, and general workshop practice regulations are adhered to when using this product.
- ✓ Locate in a suitable work area.
- ✗ **DO NOT** let children near the cabinet.
- ✗ **DO NOT** open more than one drawer at a time.
- ✓ Fill from the bottom drawer up. If the tool cabinet is filled from the top drawer down, it will be top heavy and may fall over.
- ✗ **DO NOT** attempt to lift by the side handles, use chains, ropes or other lifting devices.
- ✗ **DO NOT** step or climb on the product or on the drawers.
- ✗ **DO NOT** alter the product in any way, e.g. **DO NOT** weld on external lock bars or attach electrical equipment. This may cause damage to the product or cause personal injury.
- ✓ Keep on a level surface.
- ✓ When moving the cabinet **DO NOT** pull it. Push the cabinet to prevent injury.
- ✓ Close and lock the drawers before moving the cabinet. If the drawers came open they could make the cabinet unstable.
- ✓ Apply the brakes when in desired position.
- ✗ **DO NOT** mount on a truck bed or any other moving object.
- ✓ Be aware of sharp edges wear gloves.

2. INTRODUCTION

Anti-fingerprint stainless steel construction. Supplied with a 25mm thick wooden worktop. 4 Drawers with 45kg capacity each. Each drawer features aluminium pull handles and non-slip liners. Side storage cupboard with shelf and peg board inlay. Four large castor wheels, two fixed and two swivel that include brakes. Cabinet supplied with a heavy-duty side handle for comfort and control when manoeuvring. Supplied with a lock and 2 keys. Some simple assembly required.

3. SPECIFICATION

Model no: **AP4804SS**
 Overall size (W x D x H): 1220 x 460 x 950mm
 Small drawer (x1): 690 x 399 x 60mm
 Medium drawer (x2): 690 x 399 x 140mm
 Large drawer (x1): 690 x 399 x 220mm
 Cupboard: 440 x 440x 680mm



4. ASSEMBLY

4.1. FIT HANDLE

4.1.1. Attach handle with 6mm x 12mm hex bolts, spring and flat washers.

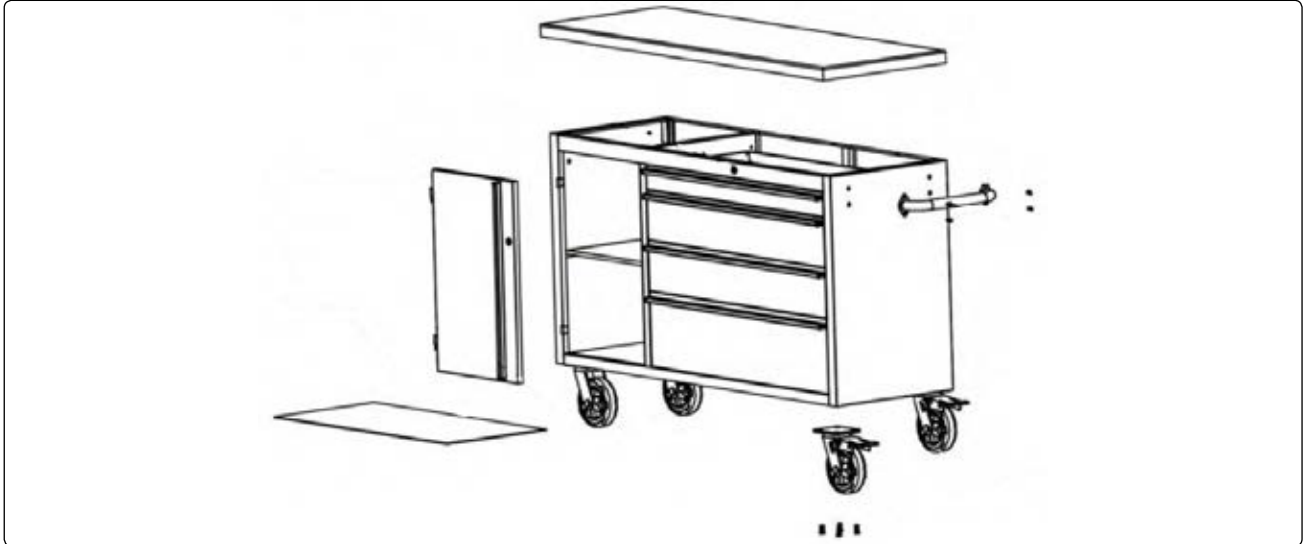
4.2. FIT CASTERS

- ☐ **WARNING!** Two or more people are required to lay down or stand up the cabinet. **DO NOT** stand in front or behind and lock drawers whilst turning over.

4.2.1. Carefully lay the cabinet upside down with a soft mat underneath for protection.

4.2.2. Fit the two swivel/braked castors, on the handle side using 10mm x 25mm bolts, through each castor and into the bottom of the cabinet. Tighten securely.

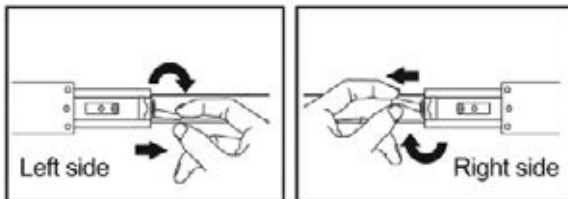
4.2.3. Repeat for the two rigid casters on the other side.



4.3. DRAWERS

4.3.1. New drawers slides may be stiff and difficult to open at first. A gentle outward pull should release the safety catch that prevents the drawer from opening whilst the cabinet is being moved.

4.3.2. Remove drawers from their slides as below (pull left side tab down and pull right side slide tab up).



5. MAINTENANCE

5.1. To clean use a soft cloth that will not scratch the surface.

- × **DO NOT** use solvents of any kind they may damage the surface.

5.2. Liquid spills should be removed immediately, use a soft clean cloth to blot the spill gently - avoid rubbing.

5.3. Grease the casters with good quality grease once a year.

5.4. Lubricate the drawer slides twice a year with light duty oil.



ENVIRONMENT PROTECTION

Recycle unwanted materials instead of disposing of them as waste. All tools, accessories and packaging should be sorted, taken to a recycling centre and disposed of in a manner which is compatible with the environment. When the product becomes completely unserviceable and requires disposal, drain any fluids (if applicable) into approved containers and dispose of the product and fluids according to local regulations.

Note: It is our policy to continually improve products and as such we reserve the right to alter data, specifications and component parts without prior notice.

Important: No Liability is accepted for incorrect use of this product.

Warranty: Guarantee is 12 months from purchase date, proof of which is required for any claim.

Sealey Group, Kempson Way, Suffolk Business Park, Bury St Edmunds, Suffolk. IP32 7AR

☎ 01284 757500

📠 01284 703534

✉ sales@sealey.co.uk

🌐 www.sealey.co.uk