



15M HEAVY-DUTY RETRACTABLE WATER HOSE REEL Ø13MM ID RUBBER HOSE

MODEL NO: **WHR1512**

Thank you for purchasing a Sealey product. Manufactured to a high standard, this product will, if used according to these instructions, and properly maintained, give you years of trouble free performance.

IMPORTANT: PLEASE READ THESE INSTRUCTIONS CAREFULLY. NOTE THE SAFE OPERATIONAL REQUIREMENTS, WARNINGS & CAUTIONS. USE THE PRODUCT CORRECTLY AND WITH CARE FOR THE PURPOSE FOR WHICH IT IS INTENDED. FAILURE TO DO SO MAY CAUSE DAMAGE AND/OR PERSONAL INJURY AND WILL INVALIDATE THE WARRANTY. KEEP THESE INSTRUCTIONS SAFE FOR FUTURE USE.



Refer to instructions

1. SAFETY

- ✓ Familiarise yourself with the application and limitations of the hose reel, as well as the specific hazards.
- ❑ **WARNING!** Disconnect the hose reel from the water supply before changing accessories, servicing or performing any maintenance.
- ✓ Maintain the hose reel in good condition (use an authorised service agent).
- ✓ Replace or repair damaged parts. Use recommended parts only. Unauthorised parts may be dangerous and will invalidate the warranty.
- ✓ Locate and fix the hose reel in a suitable working area.
- ✗ **DO NOT** position the hose in direct sun light, or in areas of extreme heat or cold.
- ✓ Ensure there is adequate lighting.
- ❑ **WARNING!** Ensure maximum water pressure is not exceeded.
- ✓ Keep extended air hose away from heat, oil and sharp edges. Check hose for wear before each use, and ensure all connections are secure.
- ✓ Maintain correct balance and footing. Ensure the floor is not slippery and wear non-slip shoes.
- ✓ Remove ill fitting clothing. Remove ties, watches, rings, and other loose jewellery and contain and/or tie back long hair.
- ✓ Keep children and unauthorised persons away from the working area.
- ✗ **DO NOT** operate the hose reel if any parts are damaged or missing as this may cause failure and/or personal injury.
- ✗ **DO NOT** exceed the rated capacity of the hose reel.
- ✗ **DO NOT** use the hose reel for any purpose other than that for which it is designed.
- ✗ **DO NOT** operate the hose reel when you are tired or under the influence of alcohol, drugs or intoxicating medication.
- ✓ When not in use ensure the water supply is turned off and tools disconnected. Disconnect from water supply and retract hose into case.
- ❑ **WARNING! DO NOT** dismantle the hose reel casing, or attempt to remove the screws and covers on the sides. To do so may result in damage to the appliance and/or personal injury and will invalidate the warranty. Internal maintenance, which will require the opening of the casing, must only be undertaken by an authorised service agent.

2. INTRODUCTION

Heavy-duty durable steel case. Fitted with Heavy-duty 15m Ø13mm ultra-light, super-strong rubber hose with 2m leader hose. Features Metal spray gun with 9 pattern spray/jet nozzle. Finger grip bend restrictors for ease of use. Handles hot water up to 90°C and remains flexible in cold temperature as low as -40°C. Heavy-duty ratchet mechanism enables safe storage and use. Swivel wall mounting bracket included.

3. SPECIFICATION

Model No:.....**WHR1512**
Hose Size (ID):..... Ø13mm
Length: 15m

4. ASSEMBLY

- ❑ **WARNING!** To avoid a dangerous sudden release of pressure that can cause severe injury, ensure that the pressure source for the reel is turned off and the supply hose is not pressurized.

NOTE: Before beginning assembly/installation, purchase appropriate hardware for mounting the reel. The mounting base has four 1/2" (12.7mm) holes for mounting on a suitable flat surface.

NOTE: For overhead ceiling mounting: Install the reel at most 10 feet (3m) above the floor.

4.1. ASSEMBLING THE HOSE REEL

- 4.1.1. Prior to mounting the hose reel, ensure that the supply hose pressure does not exceed the maximum working pressure of the hose reel. Also check that the pressure source is turned off and the supply hose for the reel is not pressurized.
- 4.1.2. Unpack the reel then check that all parts are present and inspect for damage. Check reel function for smooth rotation.

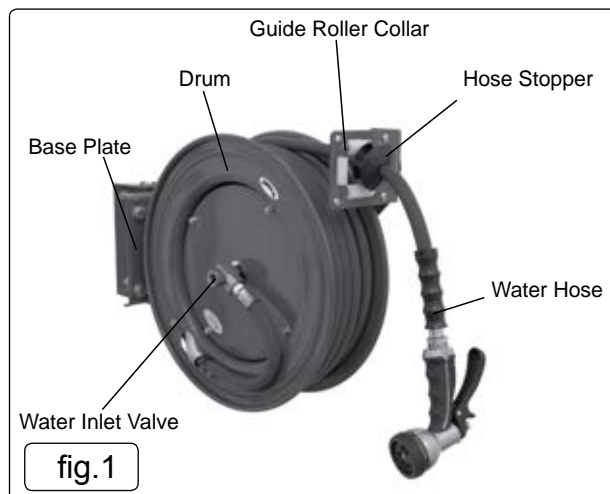
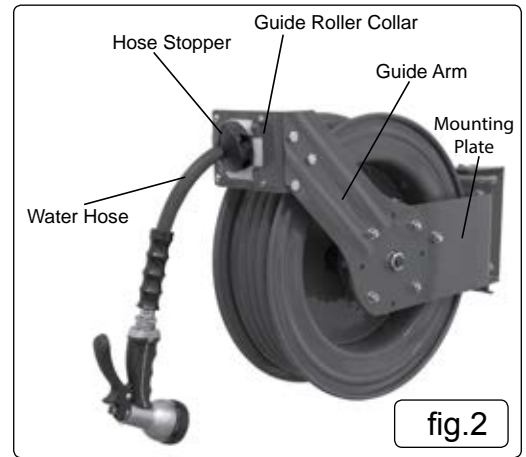
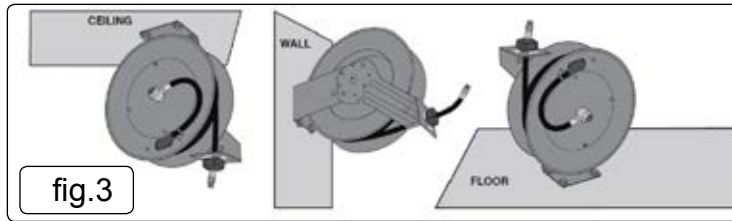


fig. 1

- 4.1.3. Fasten the mounting plate (fig.3) in the desired location. Reel dimensions and the pattern of the mounting holes in the base are shown below. Tighten all hardware securely.
- 4.1.4. The guide arm (fig.1) that guides the hose on and off the reel can be repositioned for better function as shown in the picture below. If desired, follow steps 4.1.5 through 4.1.7 to reposition the arm. Otherwise continue with step 4.2.1.

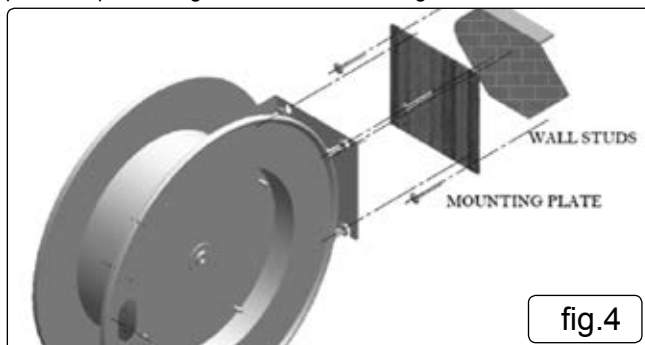


- 4.1.5. Pull out the hose until the reel latches.
- 4.1.6. Remove the four sets of nuts and washers holding the guide arm (fig.1) to the mounting plate (fig.3).
- 4.1.7. Turn the arm to a desired position, aligning the arm mounting holes with the holes in the flange of the base, and re-tighten the nuts and washers.
- 4.2. CONNECT THE HOSES**
- 4.2.1. Apply Teflon tape or pipe sealant to the supply hose threads then attach it to end fitting of the reel's swivel assembly (behind the water inlet valve) (fig.1) and tighten. If not already connected, the unpressurized supply hose can now be connected to the supply source. If the reel was supplied with hose already wound on it, continue with step 4.2.7. If not, continue with the next step.
- 4.2.2. Turn the reel drum by hand until the rewind spring is tight, and drum has latched. As an extra precaution while installing the new hose, secure the drum in its latched position.
- 4.2.3. Insert the end of the delivery hose through guide roller collar (fig.1) and feed it through the opening in the drum flange.
- 4.2.4. Use Teflon tape or pipe sealant on the hose fitting threads then screw it into the fitting of the short hose attached to the reel's swivel assembly under the water inlet valve (fig.1) and tighten.
- NOTE:** To avoid damage to the swivel, use a wrench to support the swivel while tightening the hose.
- 4.2.5. Attach the hose stopper (fig.1) to the other end of delivery hose.
- 4.2.6. Carefully release the drum latch, and slowly allow hose to wind onto the reel in a controlled way making sure the hose winds in even, straight turns on the reel.
- 4.2.7. Apply Teflon tape or pipe sealant to the outlet fitting on the delivery hose then attach it to a desired tool, or nozzle. Pressurize the reel and check all the connections for leakage. Also check the hose reel for correct rotation/latching and that system pressure is adequate to perform the intended function (see the Operating Instructions).
- 4.2.8. If a final adjustment to the hose stopper (fig.1) is required, pull the hose from the reel and allow it to latch at a desired length. Loosen the hose stopper bolts, and slide it to a position close to the guide roller collar (fig.1). Retighten the hose stopper bolts.

5. INSTALLATION

- ❑ **WARNING! DO NOT** position the reel in areas of extreme heat or cold.

NOTE: Prolonged exposure to direct and intense sunlight may affect the integrity of the polymers within the moulded components. Avoid, if possible, positioning the reel in direct sunlight.



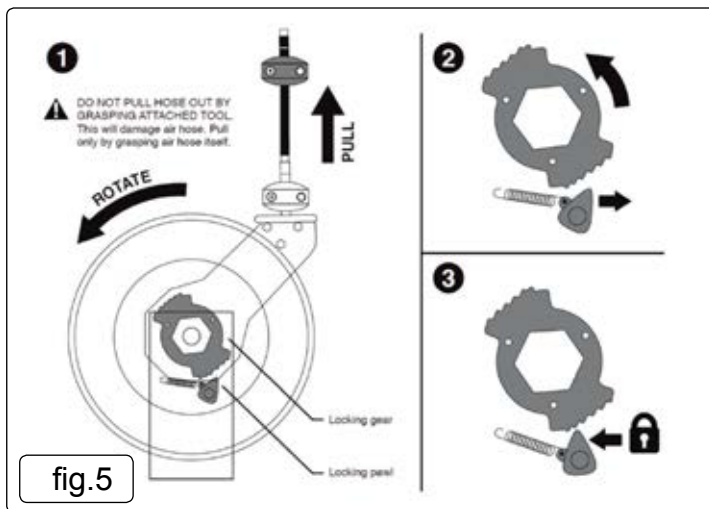
5.1. MOUNTING THE REEL

- 5.1.1. Due to the way the retractable hose operates, the reel should only be mounted in one of two positions shown below. The brackets supplied will enable you to mount the reel in either position.
- ❑ **WARNING!** Ensure the wall, ceiling or other structure, to which the hose reel is to be fixed, is of sound construction and that the securing points will hold the working strain of the hose when in use.
- 5.1.2. Using the mounting holes template (cut from box lid), drill appropriate holes for the desired mounting or see diagram below.
- 5.1.3. When wall mounted the hose exit point should not be more than 2.4m above floor level. Above this height ceiling mounting is recommended.
- 5.1.4. Fix one bracket to the chosen surface using fixings that are appropriate to the substrate and strong enough to carry the weight of the reel plus the working strain exerted on it when in use. Position the hose reel onto the first bracket, then proceed to fix the second bracket into place and ensure the reel is secure.

6. OPERATION

6.1. BEFORE EACH USE

- 6.1.1. Ensure that the hose reel is in proper working order before use.
- 6.1.2. Inspect the hose reel fittings, alignment, hoses and components periodically before use. Have damaged or worn components repaired or replaced by an authorized technician.



6.2. OPERATION

- 6.2.1. Check the reel for correct operation by slowly pulling out the hose. A “clicking” noise will be heard every half revolution of the drum.
- 6.2.2. To latch the reel, pull out the hose then allow it to retract after hearing the first, second, third, fourth, fifth, sixth “click”.
- 6.2.3. To unlatch the reel, slowly pull out the hose until the “clicking” noise stops then, holding on to the hose, let it retract in a controlled way until the stop/block rests against the hose guide/rollers.
- 6.2.4. Keep the hose and air-tools or nozzles dry, clean, and free from oil and grease.
- 6.2.5. Periodically clean the hose with a cloth dipped in warm water to remove dirt or deposits and ensure correct winding on the reel.
- 6.2.6. **DO NOT** use detergents or solvents which could prove incompatible with cable-winder materials.
- 6.2.6. Also periodically check the hose condition for wear or damage, and check the swivel fitting for leakage. See the maintenance section for tips to replace any worn, damaged, or leaking parts.
- 6.3. Pull out the hose to the required length. A clicking noise will be heard every half revolution of the drum.
- 6.4. To latch the reel, allow the reel to slowly retract after hearing the 1st, 2nd or 3rd click.
- 6.5. To unlatch the reel, slowly pull out the hose until the clicking noise stops, then let the hose slowly retract until the hose stopper rests against the reel mouth.

NOTE: Remove tools from the hose when they are no longer required for use.

- WARNING!** To prevent injury or damage occurring, **DO NOT** let go of the hose during rewinding.

7. MAINTENANCE

7.1. AFTER EACH USE

- 7.1.1. Inspect the hose reel fittings, alignment, hoses and components periodically after use so that worn or damaged components can be ordered and replaced before the next use. Have damaged or worn components repaired or replaced by an authorized technician.

7.2. SPRING TENSION ADJUSTMENT

- WARNING!** Avoid accidentally releasing the reel’s latching mechanism. The reel is under tension and accidental release can cause a wildly spinning reel and personal injury.
If necessary, adjust spring tension on reel by adding or removing wraps of hose from spool, one wrap at a time, until desired tension is obtained.
- WARNING!** When adding wraps of hose to the reel, be careful not to exceed the winding mechanism’s spring capacity. Add just enough wraps of hose to achieve the desired tension. Damage to the winding mechanism will result if spring is over-tensioned.
- 7.2.1. Pull out approximately 6 or 8 feet of hose and allow the drum to latch.
- 7.2.2. Remove hose stopper from the hose and pull the hose back through guide/rollers.
- 7.2.3. To increase spring tension, wrap the loose hose one extra turn around the drum or, to decrease tension, un-wrap the hose one turn from drum.
- 7.2.4. Re-insert the hose through guide/rollers and install the hose stopper at the desired distance from the hose end.
- 7.2.5. Unlatch the drum and check the tension. Readjust the tension by repeating these steps.

7.3. HOSE REPLACEMENT

- WARNING!** To avoid a dangerous sudden release of pressure that can cause severe injury, ensure that the pressure source for the reel is turned off and the supply hose is not pressurized before performing any maintenance or adjustment on the reel.
- WARNING!** Make sure reel drum is securely locked in the next step and cannot accidentally spin.
- 7.3.1. Turn off the pressure supply to reel and release pressure from the system in a controlled way.
- 7.3.2. Pull out all the old hose and lock the reel in position.
- 7.3.3. Take note of the hose connection, any hose clamps, and the position of the hose stopper.
- 7.3.4. Remove any hose clamps from the hose.
- 7.3.5. Carefully disconnect the hose from its connection and remove it.
- 7.3.6. Route a new equivalent type and size hose through guide/rollers to the old hose connection point.
- 7.3.7. Use Teflon tape or pipe sealant on the hose fitting threads then screw it into the connection fitting on the reel.
- NOTE:** To avoid damage to a swivel connection, use a wrench to support the swivel while tightening the hose.
- 7.3.8. Re-install any hose clamps and the hose stopper as noted in step 7.2.2.

- 7.3.9. Carefully release the drum latch, and slowly allow the hose to wind onto the reel.
 7.3.10. Apply Teflon tape or pipe sealant to the outlet fitting on the new hose then attach it to a desired tool, or nozzle. Pressurize the reel and check all the connections for leakage.
 7.3.11. If needed, adjust the spring tension. See Spring Tension Adjustment in the Operation section.

7.4. SWIVEL SEAL REPLACEMENT

- 7.4.1. Turn off the pressure source, release pressure from the system, and remove the supply hose connection from the swivel.
 7.4.2. Remove the swivel assembly (fig.6) from reel axle.

NOTE: Removal of the swivel is not absolutely necessary unless a new swivel is being installed.

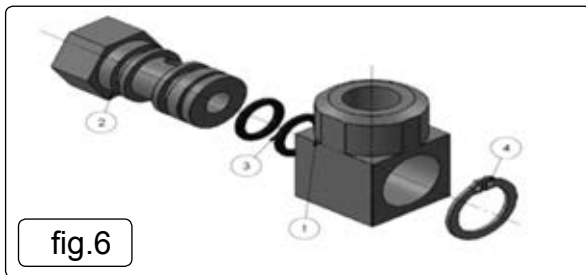
- 7.4.3. Remove the circlip from swivel, and take it apart. Please see the diagram above for reference.
 7.4.4. Replace the seals and reassemble the swivel.
 7.4.5. Use Teflon tape or thread sealant on the swivel threads and reconnect the swivel with the axle.
 7.4.6. Use Teflon tape or thread sealant on the inlet supply hose threads and reconnect it to the swivel.
 7.4.7. Pressurize the system and check for leaks.

7.5. The hose reel does not require special maintenance as it is lubricated for life. To ensure reliable operation, clean the hose and casing regularly.

- * **DO NOT** spray or wet the product, but clean with a cloth and warm water.
- * **DO NOT** use solvents or detergents, as these may permanently damage the plastic.

NOTE: There are no user serviceable parts. All maintenance and repairs which require the case to be opened or dismantled should be carried out by an authorised service agent only.

- **WARNING! DO NOT** dismantle the hose reel casing, or attempt to remove the screws and covers on the sides. To do so may result in damage to the appliance and/or personal injury and will invalidate the warranty.



7.6. STORAGE

7.6.1. Should you wish to store the hose, ensure it is clean and dry. Place the item in a dark, safe, dry, childproof location, where the temperature will remain reasonably stable.

- * **DO NOT** store in a nylon or plastic bag, as this will encourage condensation.

8. TROUBLESHOOTING

PROBLEMS	POSSIBLE CAUSE	SOLUTION
Hose will not retract	Hose bunching within reel. Spring tension too tight. Replacement hose too heavy Spring has lost all tension or has possibly broken.	Pull hose out of reel and guide back in. Have spring tension adjusted by authorised service agent. Have correct hose fitted by authorised service agent. Reinstall Spring Tension Replace Spring Canister.
Hose will not fully retract	Outlet Nozzle, gun or tool is too heavy. Spring is fatigued. Field installed hose is too long.	Add spring tension. See "Spring Tension Adjustment". Add spring tension. See "Spring Tension Adjustment". Replace spring canister if required. Call local Distributor for correct specified hose length.
Reel will not latch	The hose has been pulled past the latching teeth. Broken latching pawl or pawl spring.	Allow reel to retract slowly after hearing 1st, 2nd or 3rd click. Have new latching pawl or pawl spring fitted by authorised service agent.
Reel Leaks	Damaged hose.	Have new hose fitted by authorised service agent.
Fluid leaks from Swivel	Swivel seals are damaged or worn. Inlet hose is not flexible.	Replace swivel seals. See "Swivel Seal Replacement". Caution: Be sure leak is not Hose fitting!
Hose locks up when fully extended	Hose Clamp is in the incorrect position	Relocate hose clamp to optional location.
Swivel Assembly is not moving freely of locking up	Inlet hose fitting has been over-tightened. Inlet hose is not flexible causing Side force on swivel.	Remove and examine swivel assembly for damage. Replace as necessary. Properly tighten inlet hose. Hand tightens fitting, plus 1/2 turn with wrench.

**ENVIRONMENT PROTECTION**

Recycle unwanted materials instead of disposing of them as waste. All tools, accessories and packaging should be sorted, taken to a recycling centre and disposed of in a manner which is compatible with the environment. When the product becomes completely unserviceable and requires disposal, drain any fluids (if applicable) into approved containers and dispose of the product and fluids according to local regulations.

Note: It is our policy to continually improve products and as such we reserve the right to alter data, specifications and component parts without prior notice.

Important: No Liability is accepted for incorrect use of this product.

Warranty: Guarantee is 12 months from purchase date, proof of which is required for any claim.

Sealey Group, Kempson Way, Suffolk Business Park, Bury St Edmunds, Suffolk. IP32 7AR



01284 757500



01284 703534



sales@sealey.co.uk



www.sealey.co.uk