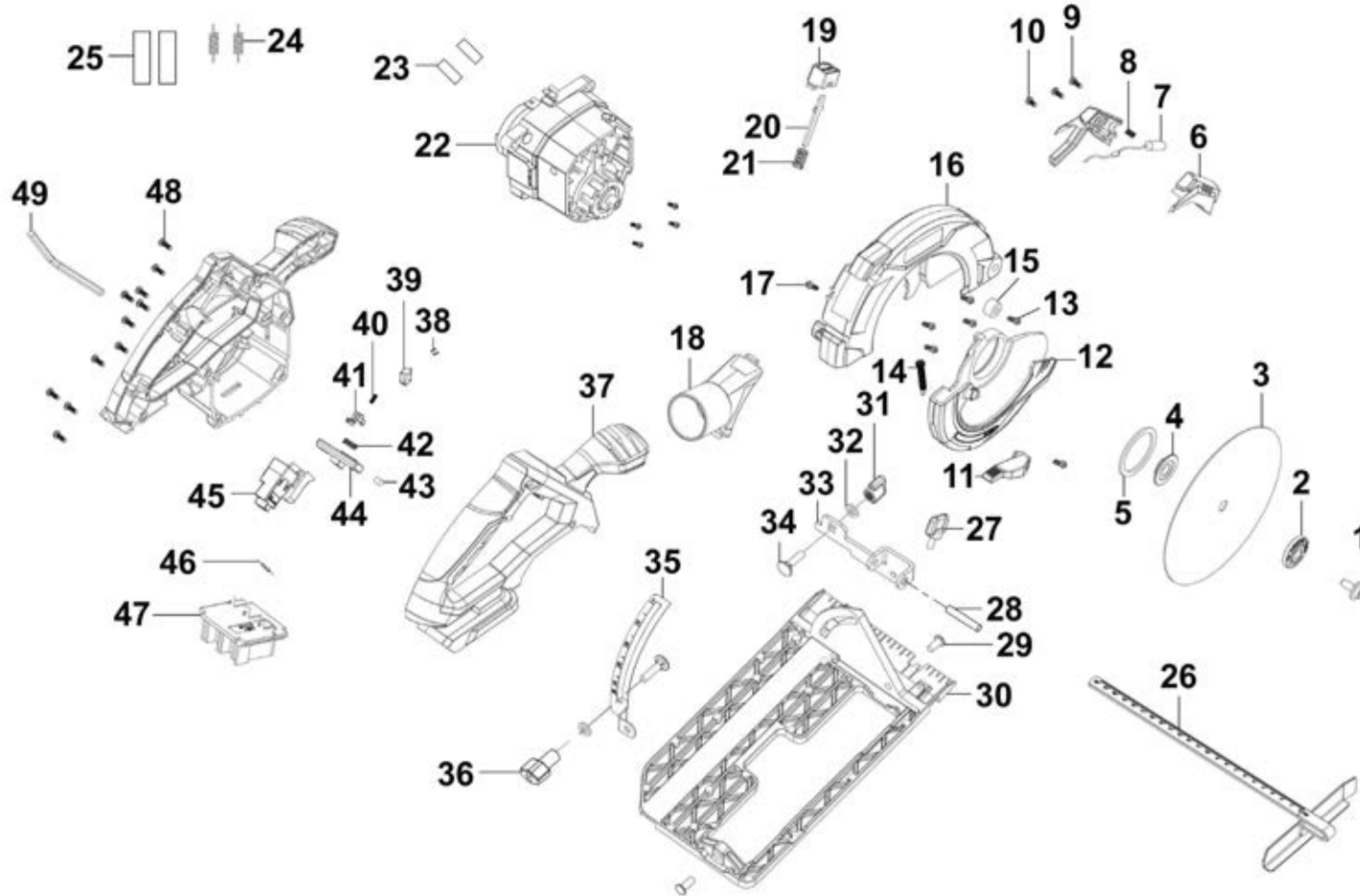




Parts Information:
Circular Saw 20V Ø150mm - Body Only
Model No: CP20VCS



NOTE: It is our policy to continually improve products and as such we reserve the right to alter data, specifications and component parts without prior notice.

There may be alternative versions of this product, please contact us should you require this information.

IMPORTANT: No liability is accepted for incorrect use of product. Spare parts must be fitted by a competent person

WARRANTY: Guarantee is 12 months from purchase date, proof of which will be required for any claim.

Sealey Group, Kempson Way, Suffolk Business Park, Bury St Edmunds, Suffolk. IP32 7AR



01284 757500



01284 703534



sales@sealey.co.uk



www.sealey.co.uk



Parts Information:
Circular Saw 20V Ø150mm - Body Only
Model No: CP20VCS

Item	Part No.	Description
1	CP20VCS.01	Flange Screw
2	CP20VCS.02	Outer Blade Flange
3	CP20VCS.03	Saw Blade Ø150mm
4	CP20VCS.04	Inner Blade Flange
5	CP20VCS.05	Locating Plate
6	CP20VCS.06	Lamp Holder
7	CP20VCS.07	Laser Light
8	CP20VCS.08	Spring
9	MSP310.S	Machine Screw Pan Head Phillips M3x10mm (Single)
10	CP20VCS.10	Lamp Holder Screw 3x10
11	CP20VCS.11	Guard Bar
12	CP20VCS.12	Plastic Guard
13	MSP412.S	Machine Screw Pan Head Phillips M4 X 12mm
14	CP20VCS.14	Tension Spring
15	CP20VCS.15	Locating Pin
16	CP20VCS.16	Rear Guard
17	MSP38.SB	Machine Screw Pan Head Phillips M3x8mm Black
18	CP20VCS.18	Extraction Dust Tube
19	CP20VCS.19	Locking Knob Button
20	CP20VCS.20	Locking Knob Bracket
21	CP20VCS.21	Locking Knob Spring
22	CP20VCS.22	Gearbox
23	CP20VCS.23	Clear Tube
24	CP20VCS.24	Inductance

Item	Part No.	Description
25	CP20VCS.25	Clear Tube
26	CP20VCS.26	Guide Ruler
27	CP20VCS.27	Plastic Thread Screw
28	CP20VCS.28	Elastic Pin
29	CP20VCS.29	Rivet
30	CP20VCS.30	Base Plate
31	CP20VCS.31	Plastic Nut
32	CP20VCS.32	Washer (11 x 6.2 x 1.5mm)
33	CP20VCS.33	Angular Guide
34	CBN618.SB	Coach Bolt M6x18mm Black
35	CP20VCS.35	Depth Guide
36	CP20VCS.36	Plastic Nut for Depth Gauge
37	CP20VCS.37	Casing Complete
38	CP20VCS.38	Clear Tube
39	CP20VCS.39	Microswitch
40	CP20VCS.40	Return Spring
41	CP20VCS.41	Connecting Rod
42	CP20VCS.42	Spring
43	CP20VCS.43	Rubber Ring
44	CP20VCS.44	Lock Lever
45	CP20VCS.45	Speed Switch
46	CP20VCS.46	Resistance
47	CP20VCS.47	Battery Connection Plate
48	MSP314.S	Machine Screw Pan Head Phillips M3x14mm (Single)
49	CP20VCS.49	Hex Wrench

NOTE: It is our policy to continually improve products and as such we reserve the right to alter data, specifications and component parts without prior notice. There may be alternative versions of this product, please contact us should you require this information.

IMPORTANT: No liability is accepted for incorrect use of product. Spare parts must be fitted by a competent person

WARRANTY: Guarantee is 12 months from purchase date, proof of which will be required for any claim.

Sealey Group, Kempson Way, Suffolk Business Park, Bury St Edmunds, Suffolk. IP32 7AR



01284 757500



01284 703534



sales@sealey.co.uk



www.sealey.co.uk