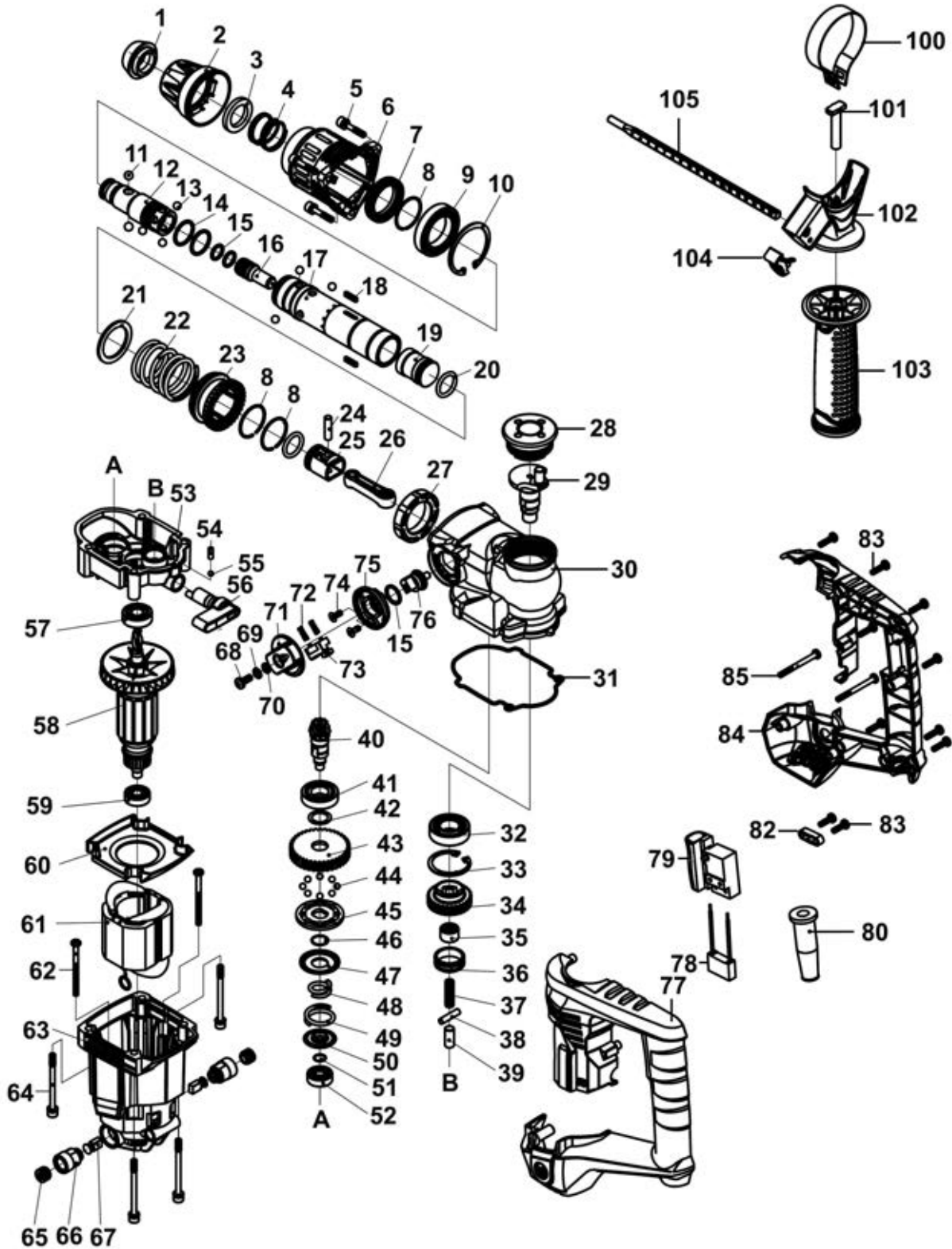




Parts Information:
Rotary Hammer Drill SDS Plus 26mm
900W/230V
Model No: SDSPLUS26



NOTE: It is our policy to continually improve products and as such we reserve the right to alter data, specifications and component parts without prior notice. There may be alternative versions of this product, please contact us should you require this information.

IMPORTANT: No liability is accepted for incorrect use of product. Spare parts must be fitted by a competent person

WARRANTY: Guarantee is 12 months from purchase date, proof of which will be required for any claim.

Sealey Group, Kempson Way, Suffolk Business Park, Bury St Edmunds, Suffolk. IP32 7AR



01284 757500



01284 703534



sales@sealey.co.uk



www.sealey.co.uk



Parts Information:
Rotary Hammer Drill SDS Plus 26mm
900W/230V
Model No: SDSPLUS26

| Item | Part No. | Description |
|------|--------------|-------------------------------|
| 1 | SDSPLUS26.01 | Front Cover |
| 2 | SDSPLUS26.02 | Steel Ball Rack |
| 3 | SDSPLUS26.03 | Steel Ball Rack Ring |
| 4 | SDSPLUS26.04 | Steel Ball Rack Spring |
| 5 | SDSPLUS26.05 | Self-Tapping Screw 4.8 x 25-F |
| 6 | SDSPLUS26.06 | Front Casing |
| 7 | SDSPLUS26.07 | Oil Seal |
| 8 | SDSPLUS26.08 | C-Ring 26.7 x 1.6mm |
| 9 | SDSPLUS26.09 | Bearing 61906 |
| 10 | SDSPLUS26.10 | C-Ring 47mm |
| 11 | SB-7.0 | Steel Ball 7.0mm |
| 12 | SDSPLUS26.12 | Rotary Sleeve |
| 13 | SB-6.4 | Steel ball 6.4mm |
| 14 | SDSPLUS26.14 | O-Ring 19.8 x 2mm |
| 15 | SDSPLUS26.15 | O-Ring 11 x 2mm |
| 16 | SDSPLUS26.16 | Impact Hammer |
| 17 | SDSPLUS26.17 | Cylinder |
| 18 | SDSPLUS26.18 | Cylinder Key A3 x 3 x 18 |
| 19 | SDSPLUS26.19 | Front Impact |
| 20 | SDSPLUS26.20 | O-Ring 18 x 3.05 |
| 21 | SDSPLUS26.21 | Spring Washer |
| 22 | SDSPLUS26.22 | Front Impact Spring |
| 23 | SDSPLUS26.23 | Gear (Large) |
| 24 | SDSPLUS26.24 | Piston Pin |
| 25 | SDSPLUS26.25 | Piston |
| 26 | SDSPLUS26.26 | Shaft for Piston |
| 27 | SDSPLUS26.27 | Oil Bearing |
| 28 | SDSPLUS26.28 | Oil Seal Cover |
| 29 | SDSPLUS26.29 | Work Spindle |
| 30 | SDSPLUS26.30 | Gearbox |
| 31 | SDSPLUS26.31 | Gearbox Seal |
| 32 | B/6003ZZ | Bearing 6003zz |
| 33 | SDSPLUS26.33 | Ext Circlip 35mm |
| 34 | SDSPLUS26.34 | Gear 1st |
| 35 | B/HK1210 | Needle Bearing HK1210 |
| 36 | SDSPLUS26.36 | Support Sleeve |
| 37 | SDSPLUS26.37 | Top Hammer Spring |
| 38 | SDSPLUS26.38 | Round Pin |
| 39 | SDSPLUS26.39 | Top Hammer |
| 40 | SDSPLUS26.40 | Gear (Small) |
| 41 | B/16002ZZ | Bearing 16002Z |
| 42 | SDSPLUS26.42 | Gear Washer (Small) |
| 43 | SDSPLUS26.43 | Gear 2nd |
| 44 | SB-5.0 | Steel Ball 5.0mm |
| 45 | SDSPLUS26.45 | Safety Clutch Plate (A) |

| Item | Part No. | Description |
|------|-----------------|-------------------------------|
| 46 | SDSPLUS26.46 | C-Ring 12.5 x 1mm |
| 47 | SDSPLUS26.47 | Safety Clutch Plate (B) |
| 48 | SDSPLUS26.48 | Safety Clutch Internal Spring |
| 49 | SDSPLUS26.49 | Safety Clutch External Spring |
| 50 | SDSPLUS26.50 | Safety Clutch Spring Seat |
| 51 | SDSPLUS26.51 | C-Ring 8.8 x 1mm |
| 52 | B/627ZZ | Bearing 627ZZ |
| 53 | SDSPLUS26.53 | Middle Cover |
| 54 | SDSPLUS26.54 | Rubber Pin |
| 55 | SB-4.0 | Steel ball 4.0mm |
| 56 | SDSPLUS26.56 | Function Knob |
| 57 | B/6000-2RS | Bearing 6000-2rs |
| 58 | SDSPLUS26.58 | Rotor |
| 59 | B/608ZZ | Bearing 608zz |
| 60 | SDSPLUS26.60 | Guide Ring |
| 61 | SDSPLUS26.61 | Stator |
| 62 | SDSPLUS26.62 | Self-Tapping Screw 4 x 55mm |
| 63 | SDSPLUS26.63 | Housing |
| 64 | SDSPLUS26.64 | Self-Tapping Screw 4.8 x 60-F |
| 65 | SDSPLUS26.65 | Carbon Brush Cover |
| 66 | SDSPLUS26.66 | Carbon Brush Holder |
| 67 | SDSPLUS26.67 | Carbon Brush |
| 68 | SDSPLUS26.68 | Screw for Button |
| 69 | SWM4.SB | Spring Washer M4 Black |
| 70 | FWM4.SB | Flat Washer M4 Black |
| 71 | SDSPLUS26.71 | Switch Button |
| 72 | SDSPLUS26.72 | Spring |
| 73 | SDSPLUS26.73 | Spring Holder |
| 74 | SDSPLUS26.74 | Self-Tapping Screw 4 x 9.5-F |
| 75 | SDSPLUS26.75 | Switch Button Base |
| 76 | SDSPLUS26.76 | Switch Button Base Support |
| 77 | SDSPLUS26.77 | Handle, Left Side |
| 78 | SDSPLUS26.78 | Capacitor 0.22uF |
| 79 | SDSPLUS26.79 | Switch |
| 80 | SDSPLUS26.80 | Cable Sleeve |
| 82 | SDSPLUS26.82 | Cable Grip |
| 83 | SDSPLUS26.83 | Self-Tapping Screw 4 x 16-F |
| 84 | SDSPLUS26.84 | Handle, Right Side |
| 85 | SDSPLUS26.85 | Self-Tapping Screw 4 x 45-F |
| 100 | SDSPLUS26.S-100 | Auxiliary Handle Clamp Ring |
| 101 | SDSPLUS26.S-101 | T-Bolt for Auxiliary Handle |
| 102 | SDSPLUS26.S-102 | Auxiliary Side Handle Bracket |
| 103 | SDSPLUS26.S-103 | Auxiliary Side Handle |
| 104 | SDSPLUS26.S-104 | Depth Gauge Ruler Button |
| 105 | SDSPLUS26.S-105 | Depth Gauge Ruler |

NOTE: It is our policy to continually improve products and as such we reserve the right to alter data, specifications and component parts without prior notice. There may be alternative versions of this product, please contact us should you require this information.

IMPORTANT: No liability is accepted for incorrect use of product. Spare parts must be fitted by a competent person

WARRANTY: Guarantee is 12 months from purchase date, proof of which will be required for any claim.

Sealey Group, Kempson Way, Suffolk Business Park, Bury St Edmunds, Suffolk. IP32 7AR



01284 757500



01284 703534



sales@sealey.co.uk



www.sealey.co.uk