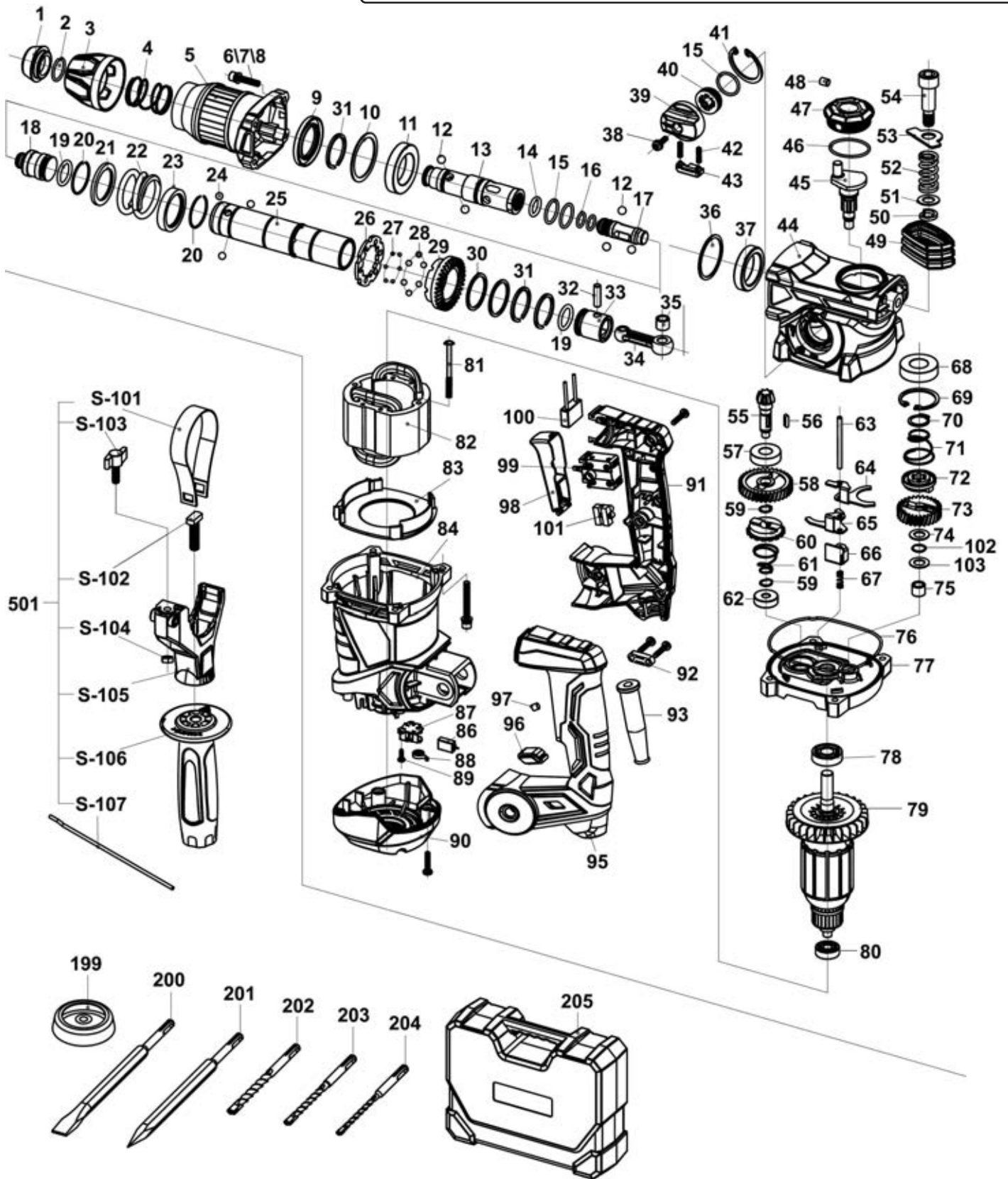




Parts Information:
Rotary Hammer Drill SDS Plus 32mm
1500W/230V
Model No: SDSPLUS32



NOTE: It is our policy to continually improve products and as such we reserve the right to alter data, specifications and component parts without prior notice. There may be alternative versions of this product, please contact us should you require this information.

IMPORTANT: No liability is accepted for incorrect use of product. Spare parts must be fitted by a competent person

WARRANTY: Guarantee is 12 months from purchase date, proof of which will be required for any claim.

Sealey Group, Kempson Way, Suffolk Business Park, Bury St Edmunds, Suffolk. IP32 7AR



01284 757500



01284 703534



sales@sealey.co.uk



www.sealey.co.uk



Parts Information:
**Rotary Hammer Drill SDS Plus 32mm
1500W/230V
Model No: SDSPLUS32**

Item	Part No.	Description
1	SDSPLUS32.01	Front Cover
2	SDSPLUS32.02	C-Ring 18 x 2mm
3	SDSPLUS32.03	Steel Ball Rack
4	SDSPLUS32.04	Steel Ball Spring
5	SDSPLUS32.05	Front Casing
6	SCB525.SB	Socket Cap Bolt M5 x 25 Bolt
7	FWM5.SB	Flat Washer M5 Black
8	SWM5.SB	Spring Washer M5 Black
9	SDSPLUS32.09	Oil Seal
10	SDSPLUS32.10	Bearing Washer
11	SDSPLUS32.11	Bearing 61906-2RS
12	SB-7.0	Steel Ball 7.0mm
13	SDSPLUS32.13	Rotary Sleeve
14	SDSPLUS32.14	O-Ring 13 x 3mm
15	SDSPLUS32.15	O-Ring 19.8 x 2mm
16	SDSPLUS32.16	O-Ring 11 x 2mm
17	SDSPLUS32.17	Impact Hammer
18	SDSPLUS32.18	Air Hammer
19	SDSPLUS32.19	O-Ring 18 x 3.05mm
20	SDSPLUS32.20	C-Ring 27 x 2mm
21	SDSPLUS32.21	Damping C-Ring
22	SDSPLUS32.22	Damping Spring
23	SDSPLUS32.23	Collar
24	SB-6.4	Steel ball 6.4mm
25	SDSPLUS32.25	Cylinder
26	SDSPLUS32.26	Fixed Seat
27	SB-3.0	Steel Ball 3.0mm
28	SB-5.0	Steel Ball 5.0mm
29	SDSPLUS32.29	Gear (Large)
30	SDSPLUS32.30	Gear Washer for Gear (Large)
31	SDSPLUS32.31	Block Ring 30 x 1.5mm
32	SDSPLUS32.32	Piston Pin
33	SDSPLUS32.33	Piston
34	SDSPLUS32.34	Connecting Rod
35	SDSPLUS32.35	Oil Bearing (Small)
36	SDSPLUS32.36	Clutch Washer (30.2 x 35 x 1.1mm)
37	SDSPLUS32.37	Oil Bearing
38	SDSPLUS32.38	Self-Tapping Screw 4 x 16-F
39	SDSPLUS32.39	Button
40	SDSPLUS32.40	Button Base
41	SDSPLUS32.41	C-Ring 24mm
42	SDSPLUS32.42	Button Spring

Item	Part No.	Description
43	SDSPLUS32.43	Button Knob
44	SDSPLUS32.44	Gearbox
45	SDSPLUS32.45	Work Spindle
46	SDSPLUS32.46	O-Ring 11 x 2mm
47	SDSPLUS32.47	Oil Cover
48	SDSPLUS32.48	Oil Cover Washer
49	SDSPLUS32.49	Rubber Sleeve
50	SDSPLUS32.50	Damping Washer
51	SDSPLUS32.51	Flat Washer 17.5 x 10.3mm
52	SDSPLUS32.52	Damping Spring
53	SDSPLUS32.53	Damping Plate
54	SDSPLUS32.54	Damping Screw
55	SDSPLUS32.55	Gear (Small)
56	SDSPLUS32.56	Flat Key 3 x 3 x 14.8
57	B/6001ZZ	Bearing 6001zz
58	SDSPLUS32.58	Gear 2nd
59	SDSPLUS32.59	Ext Circlip
60	SDSPLUS32.60	2nd Gear Clutch
61	SDSPLUS32.61	Damping Spring for Small Gear
62	B/627ZZ	Bearing 627zz
63	SDSPLUS32.63	Guide Post
64	SDSPLUS32.64	1st Gear Drive Plate
65	SDSPLUS32.65	2nd Gear Drive Plate
66	SDSPLUS32.66	Block Plate
67	SDSPLUS32.67	Block Plate Spring
68	B/6003ZZ	Bearing 6003zz
69	SDSPLUS32.69	Int Circlip 35mm
70	SDSPLUS32.70	Ext Circlip 17mm
71	SDSPLUS32.71	Spring for Spindle
72	SDSPLUS32.72	1st Gear Clutch
73	SDSPLUS32.73	1st Gear
74	SDSPLUS32.74	Cylinder Washer
75	B/HK0810	Needle bearing hk0810
76	SDSPLUS32.76	Middle Cover Sealing Ring
77	SDSPLUS32.77	Middle Cover
78	B/6001-2RS	Bearing 6001-2rs
79	SDSPLUS32.79	Rotor
80	B/608ZZ	Bearing 608zz
81	SDSPLUS32.81	Self-Tapping Screw 4.8 x 60
82	SDSPLUS32.82	Stator
83	SDSPLUS32.83	Top Plate
84	SDSPLUS32.84	Housing

NOTE: It is our policy to continually improve products and as such we reserve the right to alter data, specifications and component parts without prior notice. There may be alternative versions of this product, please contact us should you require this information.

IMPORTANT: No liability is accepted for incorrect use of product. Spare parts must be fitted by a competent person

WARRANTY: Guarantee is 12 months from purchase date, proof of which will be required for any claim.

Sealey Group, Kempson Way, Suffolk Business Park, Bury St Edmunds, Suffolk. IP32 7AR



01284 757500



01284 703534



sales@sealey.co.uk



www.sealey.co.uk



Parts Information:
**Rotary Hammer Drill SDS Plus 32mm
1500W/230V
Model No: SDSPLUS32**

Item	Part No.	Description
86	SDSPLUS32.86	Carbon Brush
87	SDSPLUS32.87	Carbon Brush Holder
88	SDSPLUS32.88	Carbon Brush Spring
89	SDSPLUS32.89	Carbon Brush Screw ST2.9 x 10
90	SDSPLUS32.90	Rear Cover
91	SDSPLUS32.91	Handle, Right Side
92	SDSPLUS32.92	Cable Grip
93	SDSPLUS32.93	Cable Sleeve
95	SDSPLUS32.95	Handle, Left Side
96	SDSPLUS32.96	Indicator Cover
97	SDSPLUS32.97	Indicator
98	SDSPLUS32.98	Switch Cover
99	SDSPLUS32.99	Variable Switch
100	SDSPLUS32.100	Capacitor 0.33uF
101	SDSPLUS32.101	Cable Connection Seat
102	SDSPLUS32.102	C-Ring 8.8 x 1mm

Item	Part No.	Description
103	SDSPLUS32.103	Cylinder Washer 12.2 x 17.8 x 1.2mm
S-101	SDSPLUS32.S-101	Auxiliary Handle Clamping Ring
S-102	SDSPLUS32.S-102	Auxiliary Handle Centre Screw
S-103	SDSPLUS32.S-103	Auxiliary Handle T-Bolt
S-104	SN6.S	Steel Nut M6 Zinc
S-105	SDSPLUS32.S-105	Auxiliary Handle Holder
S-106	SDSPLUS32.S-106	Auxiliary Handle
S-107	SDSPLUS32.S-107	Depth Gauge
199	SDSPLUS32.201	Dust Cover
200	SDSPLUS32.202	Cold Chisel 14 x 250mm
201	SDSPLUS32.203	Point Chisel 14 x 250mm
202	SDSPLUS32.204	Masonry Drill Bit 12mm
203	SDSPLUS32.205	Masonry Drill Bit 10mm
204	SDSPLUS32.206	Masonry Drill Bit 8mm
205	SDSPLUS32.207	Storage Case
501	SDSPLUS32.501	Auxiliary Handle Complete

NOTE: It is our policy to continually improve products and as such we reserve the right to alter data, specifications and component parts without prior notice. There may be alternative versions of this product, please contact us should you require this information.

IMPORTANT: No liability is accepted for incorrect use of product. Spare parts must be fitted by a competent person

WARRANTY: Guarantee is 12 months from purchase date, proof of which will be required for any claim.

Sealey Group, Kempson Way, Suffolk Business Park, Bury St Edmunds, Suffolk. IP32 7AR



01284 757500



01284 703534



sales@sealey.co.uk



www.sealey.co.uk