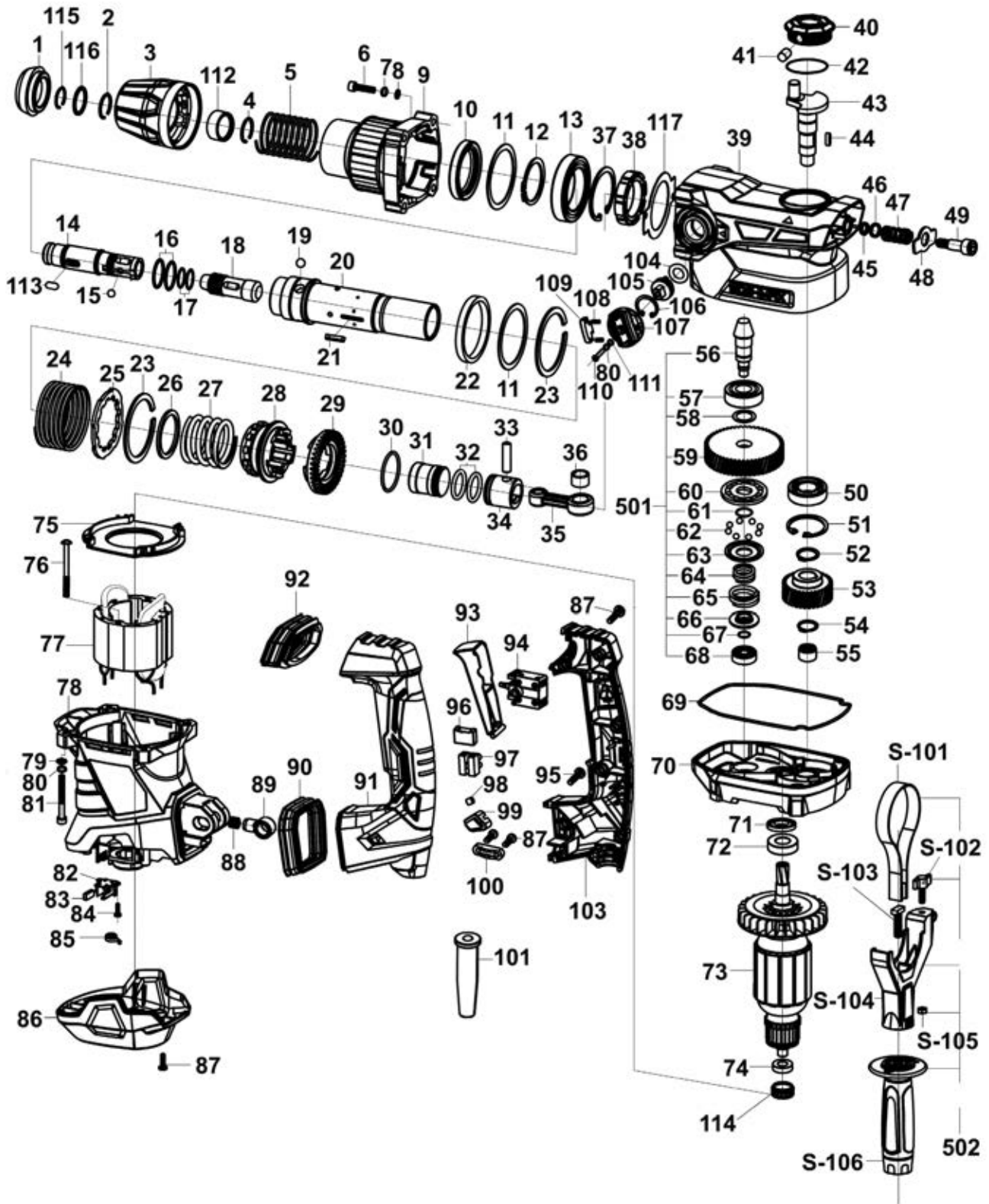




Parts Information:
Rotary Hammer Drill SDS Max 40mm
1500W/230V
Model No: SDSMAX40



NOTE: It is our policy to continually improve products and as such we reserve the right to alter data, specifications and component parts without prior notice. There may be alternative versions of this product, please contact us should you require this information.

IMPORTANT: No liability is accepted for incorrect use of product. Spare parts must be fitted by a competent person

WARRANTY: Guarantee is 12 months from purchase date, proof of which will be required for any claim.

Sealey Group, Kempson Way, Suffolk Business Park, Bury St Edmunds, Suffolk. IP32 7AR



01284 757500



01284 703534



sales@sealey.co.uk



www.sealey.co.uk



Parts Information:
**Rotary Hammer Drill SDS Max 40mm
1500W/230V
Model No: SDSMAX40**

Item	Part No.	Description
1	SDSMAX40.01	Front Cover
2	SDSMAX40.02	C-Ring
3	SDSMAX40.03	Front Casing Cap
4	SDSMAX40.04	C-Ring
5	SDSMAX40.05	Steel Ball Block Spring
6	SCB630.SB	Socket Cap Bolt M6 x 30 Black
7	SWM6.SB	Spring Washer M6 Black
8	FWM6.SB	Flat Washer M6 Black
9	SDSMAX40.09	Front Casing
10	SDSMAX40.10	Oil Seal (39 x 55 x 8)
11	SDSMAX40.11	Bearing Plate
12	SDSMAX40.12	C-Ring
13	SDSMAX40.13	Ball Bearing 61908
14	SDSMAX40.14	Rotary Sleeve
15	SB-7.9	Steel ball 7.9mm
16	SDSMAX40.16	O-Ring (24x2mm)
17	SDSMAX40.17	O-Ring (15x2mm)
18	SDSMAX40.18	Impact Hammer
19	SB-9.0	Steel ball 9.0mm
20	SDSMAX40.20	Cylinder
21	SDSMAX40.21	Flat Key (3 x 3 x 22)
22	SDSMAX40.22	Rubber Seal (62 x 54 x 6.5)
23	SDSMAX40.23	C-Clip
24	SDSMAX40.24	Clutch Spring
25	SDSMAX40.25	Clutch Locking Plate
26	SDSMAX40.26	Cylinder Ring
27	SDSMAX40.27	Spring (Large)
28	SDSMAX40.28	Clutch
29	SDSMAX40.29	Gear (Large)
30	SDSMAX40.30	C-Ring
31	SDSMAX40.31	Air Hammer
32	SDSMAX40.32	O-Ring (21.8 x 3.1)
33	SDSMAX40.33	Piston Pin
34	SDSMAX40.34	Piston
35	SDSMAX40.35	Connecting Rod
36	SDSMAX40.36	Needle Bearing
37	SDSMAX40.37	C-Ring
38	SDSMAX40.38	Oil Bearing
39	SDSMAX40.39	Gearbox
40	SDSMAX40.40	Oil Cover
41	SDSMAX40.41	Woolen Felt for Oil Cover
42	SDSMAX40.42	O-Ring (37 x 1.8)
43	SDSMAX40.43	Spindle

Item	Part No.	Description
44	SDSMAX40.44	Woodruff Key (4 x 4 x 12)
45	SDSMAX40.45	Spring Washer Plate
46	SDSMAX40.46	Washer 17.5 x 10.3
47	SDSMAX40.47	Damping Spring
48	SDSMAX40.48	Damping Plate
49	SDSMAX40.49	Damping Screw
50	B/6003-2RS	Bearing 6003-2rs
51	SDSMAX40.51	C-Ring
52	SDSMAX40.52	C-Ring
53	SDSMAX40.53	Gear 1st
54	SDSMAX40.54	C-Ring
55	B/HK1210	Needle bearing hk1210
56	SDSMAX40.56	Small Gear Trip
57	B/6202-2RS	Bearing 6202-2rs
58	SDSMAX40.58	Small Gear Bearing Plate
59	SDSMAX40.59	Gear 2nd
60	SDSMAX40.60	Trip Fixed Plate
61	SDSMAX40.61	C-Ring
62	B/6202-2RS	Bearing 6202-2rs
63	SDSMAX40.63	Trip Active Plate
64	SDSMAX40.64	Trip Spring (Inner)
65	SDSMAX40.65	Trip Spring (Outer)
66	SDSMAX40.66	Trip Spring Plate
67	SDSMAX40.67	C-Clip
68	B/608ZZ	Bearing 608zz
69	SDSMAX40.69	Middle Cover Plate
70	SDSMAX40.70	Middle Cover
71	SDSMAX40.71	Oil Seal for Bearing
72	B/6001-2RS	Bearing 6001-2rs
73	SDSMAX40.73	Rotor 1500W
74	B/608-2RS	Bearing 608-2rs
75	SDSMAX40.75	Top Plate
76	SDSMAX40.76	Self-Tapping Screw 4.8 x 60
77	SDSMAX40.77	Stator
78	SDSMAX40.78	Housing
79	FWM5.SB	Flat Washer M5 Black
80	SWM5.SB	Spring Washer M5 Black
81	SDSMAX40.81	Housing Screw M5x55
82	SDSMAX40.82	Carbon Brush Holder
83	SDSMAX40.83	Carbon Brush
84	SDSMAX40.84	Carbon Brush Screw
85	SDSMAX40.85	Carbon Brush Spring
86	SDSMAX40.86	Back Cover

NOTE: It is our policy to continually improve products and as such we reserve the right to alter data, specifications and component parts without prior notice. There may be alternative versions of this product, please contact us should you require this information.

IMPORTANT: No liability is accepted for incorrect use of product. Spare parts must be fitted by a competent person

WARRANTY: Guarantee is 12 months from purchase date, proof of which will be required for any claim.

Sealey Group, Kempson Way, Suffolk Business Park, Bury St Edmunds, Suffolk. IP32 7AR



01284 757500



01284 703534



sales@sealey.co.uk



www.sealey.co.uk



Parts Information:
**Rotary Hammer Drill SDS Max 40mm
1500W/230V
Model No: SDSMAX40**

Item	Part No.	Description
87	SDSMAX40.87	Self-Tapping Screw 4.8 x 25-F
88	SDSMAX40.88	Damping Spring (Small)
89	SDSMAX40.89	Spring Seat
90	SDSMAX40.90	Damping Rubber Sleeve (Lower)
91	SDSMAX40.91	Handle, Left Side
92	SDSMAX40.92	Damping Rubber Sleeve (Upper)
93	SDSMAX40.93	Switch Cover
94	SDSMAX40.94	Switch
95	SDSMAX40.95	Self-Tapping Screw ST4.8 x 25-F 8
96	SDSMAX40.96	Capacitor 0.33uF
97	SDSMAX40.97	Connecting Block
98	SDSMAX40.98	Indicator
99	SDSMAX40.99	Indicator Cover
100	SDSMAX40.100	Cable Clamp
101	SDSMAX40.101	Cable Sleeve
103	SDSMAX40.103	Handle, Right Side
104	SDSMAX40.104	O-Ring 16.3 x 2
105	SDSMAX40.105	Knob Shaft
106	SDSMAX40.106	C-Ring

Item	Part No.	Description
107	SDSMAX40.107	Control Knob
108	SDSMAX40.108	Button Spring
109	SDSMAX40.109	Button
110	SDSMAX40.110	Control Knob Screw M5 x 14
111	FWM5.SB	Flat Washer M5 Black
112	SDSMAX40.112	Steel Ball Baffle
113	SDSMAX40.113	Rotary Sleeve Pin
114	SDSMAX40.114	Bearing Sleeve
115	SDSMAX40.115	C-Ring
116	SDSMAX40.116	Steel Ball Block Plate
117	SDSMAX40.117	Gearbox Gasket
501	SDSMAX40.501	Small Gear Set
502	SDSMAX40.502	Auxiliary Handle Set
S-101	SDSMAX40.S-101	Auxiliary Side Handle Holder
S-102	SDSMAX40.S-102	T-Screw 8x50
S-103	SDSMAX40.S-103	Auxiliary Handle Clamp Holder
S-104	SDSMAX40.S-104	Auxiliary Handle Holder
S-105	SN6.S	Steel Nut M6 Zinc
S-106	SDSMAX40.S-106	Auxiliary Handle Clamp Holder

NOTE: It is our policy to continually improve products and as such we reserve the right to alter data, specifications and component parts without prior notice. There may be alternative versions of this product, please contact us should you require this information.

IMPORTANT: No liability is accepted for incorrect use of product. Spare parts must be fitted by a competent person

WARRANTY: Guarantee is 12 months from purchase date, proof of which will be required for any claim.

Sealey Group, Kempson Way, Suffolk Business Park, Bury St Edmunds, Suffolk. IP32 7AR



01284 757500



01284 703534



sales@sealey.co.uk



www.sealey.co.uk