



18MM SDS PLUS ROTARY HAMMER

750W/230V

MODEL NO: **SDSPLUS18**

Thank you for purchasing a Sealey product. Manufactured to a high standard, this product will, if used according to these instructions, and properly maintained, give you years of trouble free performance.

IMPORTANT: PLEASE READ THESE INSTRUCTIONS CAREFULLY. NOTE THE SAFE OPERATIONAL REQUIREMENTS, WARNINGS & CAUTIONS. USE THE PRODUCT CORRECTLY AND WITH CARE FOR THE PURPOSE FOR WHICH IT IS INTENDED. FAILURE TO DO SO MAY CAUSE DAMAGE AND/OR PERSONAL INJURY AND WILL INVALIDATE THE WARRANTY. KEEP THESE INSTRUCTIONS SAFE FOR FUTURE USE.



Refer to instructions



Wear eye protection



Wear protective gloves



Wear safety footwear



Wear protective clothing



Wear ear protection



Wear a mask

1. SAFETY

1.1. ELECTRICAL SAFETY

- ❑ **WARNING!** It is the user's responsibility to check the following:

Check all electrical equipment and appliances to ensure that they are safe before using. Inspect power supply leads, plugs and all electrical connections for wear and damage. Sealey recommend that an RCD (Residual Current Device) is used with all electrical products. You may obtain an RCD by contacting your local Sealey stockist.

If the product is used in the course of business duties, it must be maintained in a safe condition and routinely PAT (Portable Appliance Test) tested.

Electrical safety information, it is important that the following information is read and understood.

- 1.1.1. Ensure that the insulation on all cables and on the appliance is safe before connecting it to the power supply.
- 1.1.2. Regularly inspect power supply cables and plugs for wear or damage and check all connections to ensure that they are secure.
- 1.1.3. **Important:** Ensure that the voltage rating on the appliance suits the power supply to be used and that the plug is fitted with the correct fuse - see fuse rating in these instructions.
 - * **DO NOT** pull or carry the appliance by the power cable.
 - * **DO NOT** pull the plug from the socket by the cable. Remove the plug from the socket by maintaining a firm grip on the plug.
 - * **DO NOT** use worn or damaged cables, plugs or connectors. Ensure that any faulty item is repaired or replaced immediately by a qualified electrician.
- 1.1.4. This product is fitted with a BS1363/A 13 Amp 3 pin plug.

If the cable or plug is damaged during use, switch the electricity supply and remove from use.
Replace a damaged plug with a BS1363/A 13 Amp 3 pin plug. If in doubt contact a qualified electrician.

Class II products are wired with live (brown) and neutral (blue) only are marked with the Class II symbol;



A) Connect the BROWN live wire to the live terminal 'L'.

B) Connect the BLUE neutral wire to the neutral terminal 'N'.

C) After wiring, check that there are no bare wires and ensure that all wires have been correctly connected.

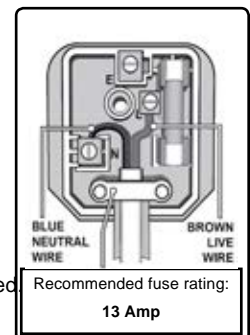
Ensure that the cable outer sheath extends inside the cable restraint and that the restraint is tight.

DO NOT connect either wire to the earth terminal.

Sealey recommend that repairs are carried out by a qualified electrician.

1.2. GENERAL SAFETY

- ✓ Disconnect the drill from the mains power before changing accessories, servicing or performing any maintenance.
- ✓ Maintain drill in good condition. Check moving parts and alignment and keep drill bits sharp. If necessary use an authorised service agent.
- ✓ Replace or repair damaged parts. *Use recommended parts only. Unauthorised parts may be dangerous and will invalidate the warranty.*
- ✓ Wear approved safety eye protection with side shields and a dust mask if drilling generates dust. Rubber gloves are recommended when using outdoors and safety gloves when drilling items such as steel, brick work etc.
- ✓ Remove ill fitting clothing. Remove ties, watches, rings, other loose jewellery and contain long hair.
- ✓ Use drill in an adequate working area for its function, keep area clean, tidy and free from unrelated materials and ensure adequate lighting.
- ✓ Prevent body contact with grounded surfaces to avoid electric shock i.e. pipes, radiators, ranges, refrigerators etc.
- ✓ Evaluate your working area before using the drill i.e. ceiling, floors and enclosures may contain hidden electrical wires or water piping.
- ✓ Maintain correct balance and footing.
- ✓ The supplementary handle grip should always be attached for use.
- ✓ Keep children and unauthorised persons away from the working area.
- ✓ Secure non stable work piece with a clamp, vice or other adequate holding device.
- ✓ Avoid unintentional starting and ensure the lock-on button is disengaged before use.
- ✓ Use suitable detectors to determine if utility lines are hidden in the work area or contact local utility companies for assistance. Contact



with electric lines can lead to fire and electric shock. Damaging a gas line can lead to explosion. Penetrating a water line causes property damage and may cause electric shock.

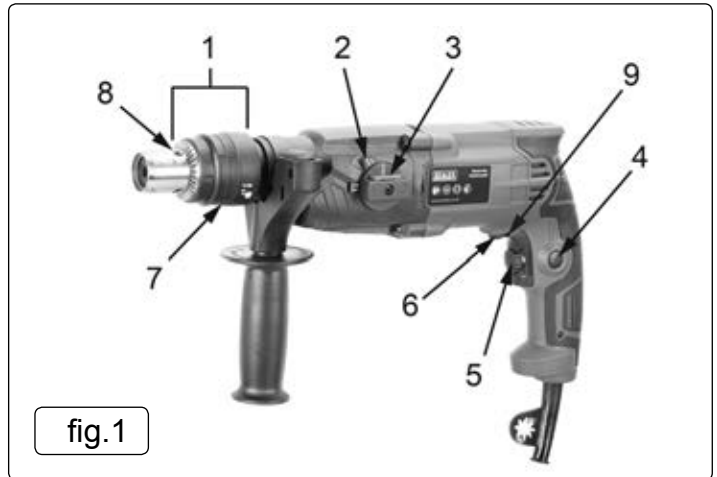
- ✓ Hold the tool only by the insulated gripping surfaces when performing an operation where the cutting tool may contact hidden wiring or its own cord. Contact with a "live" wire will also make the exposed metal parts of the power tool "live" and shock the operator.
- ✓ When working with machine, always hold it firmly with both hands and provide for a secure stance. The power tool is guided more securely with both hands.
- ✓ Always wait until the machine has come to a complete stop before placing it down. The tool insert can jam and lead to loss of control of the power tool.
- ✓ Take protective measures when dust can develop during working that is harmful to one's health, combustible or explosive.
- ✓ Always use the auxiliary handle supplied with the machine. Loss of control can cause personal injury.
- ✗ **DO NOT** work materials containing asbestos. Asbestos is considered carcinogenic.
- ✗ **DO NOT** force the drill to achieve a task it was not designed to perform.
- ✗ **DO NOT** operate drill where there are flammable liquids or gasses.
- ✗ **DO NOT** get the drill wet or use in damp or wet locations.
- ✗ **DO NOT** operate the drill if any parts are missing or the drill is damaged as this may cause failure and/or possible personal injury.
- ✗ **DO NOT** operate the drill when you are tired, under the influence of alcohol, drugs or intoxicating medication.
- ✗ **DO NOT** carry the drill with your finger on the power switch, or carry by the power cord, or leave the drill running whilst unattended.
- ✗ **DO NOT** over-reach and ensure the floor is not slippery and wear non skid shoes.
- ✗ **DO NOT** hold unsecured work in your hand.
- ✗ **DO NOT** use the machine with a damaged cable. **DO NOT** touch the damaged cable, but turn off the power supply at socket.
- ✗ **DO NOT** use the drill without the auxiliary handle fitted
- ✓ When not in use, switch drill off, remove plug from power supply, clean the drill and store in safe, dry, child proof area.

2. INTRODUCTION

Powerful rotary hammer drill with patented double chuck. Chuck can be used with SDS, SDS Plus and HSS drill bits. Three drilling functions. Variable speed control trigger. LED Mains power indicator. Supplied in storage case with 8mm,10mm and 12mm masonry drill bits and depth gauge. Fitted with 360° auxiliary handle.

3. SPECIFICATION

Model No.:..... **SDSPLUS18**
 No load speed..... 0-1700 / 0-3000 rpm
 Impact rate..... 0 - 5500 bpm
 Impact energy 2 Joules
 Concrete drilling diameter 18 mm
 Chuck type Double chuck system
 Noise power 99dB(A)
 Noise pressure..... 88dB(A)



4. OPERATION

- ☐ **WARNING!** Disconnect from power supply before attempting any tool change, mode change, handle repositioning, maintenance or cleaning.

4.1. AUXILIARY HANDLE

- 4.1.1. The auxiliary handle can be set to any position for a secure and low-fatigue working posture.
- 4.1.2. Turn the lower half of the handle counter-clockwise to loosen it and swivel the handle around the chuck to the desired position. To tighten, rotate the handle clockwise. Ensure a secure fitment is achieved.

4.2. CHANGING THE TOOL

- 4.2.1. The dust protection cap (fig.1.8) largely prevents the entry of drilling dust into the tool holder during operation. When inserting the tool take care to avoid damaging the cap. Immediately replace a damaged dust cap to avoid damage to the machine.
- 4.2.2. **INSERTING SDS-PLUS DRILLING TOOLS**
- 4.2.2.1. SDS drill chucks allow for simple and convenient tool changes without the use of additional tools.
- 4.2.2.2. Clean and lightly grease the shank end of the tool. Insert the tool in a twisting manner into the tool holder until it latches itself. Check the latching by pulling the tool.
- 4.2.2.3. To remove the tool from the chuck slide back the locking sleeve and withdraw the tool.

NOTE: SDS drilling tools can move freely. This can cause radial run-out at no-load. This has no effect on the accuracy of the drilled hole as the drill bit centres itself upon drilling.

4.3. OPERATING MODE

- 4.3.1. To select the operating mode depress the release button (fig.1.3) and turn the drilling/hammer selector (fig.1.2) to the required option. An audible click will be heard when correctly latched.

4.4. ROTATIONAL SETTING

- 4.4.1. Rotational direction switch (fig.1.6) is used to reverse the rotational direction of the machine. This cannot be used with the On/Off switch actuated.

4.5. SWITCHING ON/OFF

- 4.5.1. To start the machine, push the On/Off switch (fig.1.9).
- 4.5.2. To lock the On/Off switch keep it pressed and push the lock button (fig.1.4).
- 4.5.3. To turn machine off, release the On/Off switch.

ITEM No.	Description
1	SDS-plus/SDS-max tool holder
2	Mode selector switch
3	Release button
4	Lock button On/Off switch
5	Speed adjustment
6	Directional control
7	Locking sleeve
8	Dust protection cap
9	On/Off switch

4.6. SPEED / IMPACT RATE

4.6.1. Both speed and impact rate can be variably adjusted depending on how far the On/Off switch is being depressed. The greater the depression, the higher the speed.

4.7. SAFETY CLUTCH

4.7.1. If the tool insert becomes caught or jammed, the drive to the drill spindle is interrupted. Because of the forces that occur, always hold the power tool firmly in both hands and adopt a secure and stable stance.

4.7.2. If the power tool jams, switch the machine off and loosen the tool insert. When switching the machine on with a tool jammed, high reaction torques can occur.

5. MAINTENANCE

WARNING! Disconnect from power supply before attempting any tool change, mode change, handle repositioning, maintenance or cleaning.

5.1. For safe and proper working, always keep the machine and ventilation slots clean and clear of debris. If available blow dry, compressed air into the vents to clear any internal dust (safety goggles must be worn when undertaking this process).

5.1.1. Keep the outer case of the drill clean and free from grease.

× **DO NOT** wash with water or use solvents or abrasives.

5.2. A damaged dust protection cap should be changed immediately. any tool change, handle repositioning, maintenance or cleaning.

5.3. For safe and proper working keep the machine and all vents clean and free of obstruction.

5.4. A damaged dust protection cap (fig.1.8) should be changed immediately.

5.5. Thoroughly clean the tool holder (fig.1.1) after each use.

5.6. Store in a dry, child free place.

WARNING! – Risk of Hand Arm Vibration Injury.

This tool may cause Hand Arm Vibration Syndrome if its use is not managed adequately.

This tool is subject to the vibration testing section of the Machinery Directive 2006/42/EC.

This tool is to be operated in accordance with these instructions.

Measured vibration emission value (a): 15.154 m/s²

Uncertainty value (k): 1.5 m/s²

Please note that the application of the tool to a sole specialist task may produce a different average vibration emission. We recommend that a specific evaluation of the vibration emission is conducted prior to commencing with a specialist task.

A health and safety assessment by the user (or employer) will need to be carried out to determine the suitable duration of use for each tool.

NB: Stated Vibration Emission values are type-test values and are intended to be typical.

Whilst in use, the actual value will vary considerably from and depend on many factors.

Such factors include; the operator, the task and the inserted tool or consumable.

NB: ensure that the length of leader hoses is sufficient to allow unrestricted use, as this also helps to reduce vibration.

The state of maintenance of the tool itself is also an important factor, a poorly maintained tool will also increase the risk of Hand Arm Vibration Syndrome.

Health surveillance.

We recommend a program of health surveillance to detect early symptoms of vibration injury so that management procedures can be modified accordingly.

Personal protective equipment.

We are not aware of any personal protective equipment (PPE) that provides protection against vibration injury that may result from the uncontrolled use of this tool. We recommend a sufficient supply of clothing (including gloves) to enable the operator to remain warm and dry and maintain good blood circulation in fingers etc. Please note that the most effective protection is prevention, please refer to the Correct Use and Maintenance section in these instructions. Guidance relating to the management of hand arm vibration can be found on the HSC website www.hse.gov.uk - Hand-Arm Vibration at Work.



ENVIRONMENT PROTECTION

Recycle unwanted materials instead of disposing of them as waste. All tools, accessories and packaging should be sorted, taken to a recycling centre and disposed of in a manner which is compatible with the environment. When the product becomes completely unserviceable and requires disposal, drain any fluids (if applicable) into approved containers and dispose of the product and fluids according to local regulations.



WEEE REGULATIONS

Dispose of this product at the end of its working life in compliance with the EU Directive on Waste Electrical and Electronic Equipment (WEEE). When the product is no longer required, it must be disposed of in an environmentally protective way. Contact your local solid waste authority for recycling information.

Note: It is our policy to continually improve products and as such we reserve the right to alter data, specifications and component parts without prior notice.

Important: No Liability is accepted for incorrect use of this product.

Warranty: Guarantee is 12 months from purchase date, proof of which is required for any claim.

Sealey Group, Kempson Way, Suffolk Business Park, Bury St Edmunds, Suffolk. IP32 7AR



01284 757500



01284 703534



sales@sealey.co.uk



www.sealey.co.uk