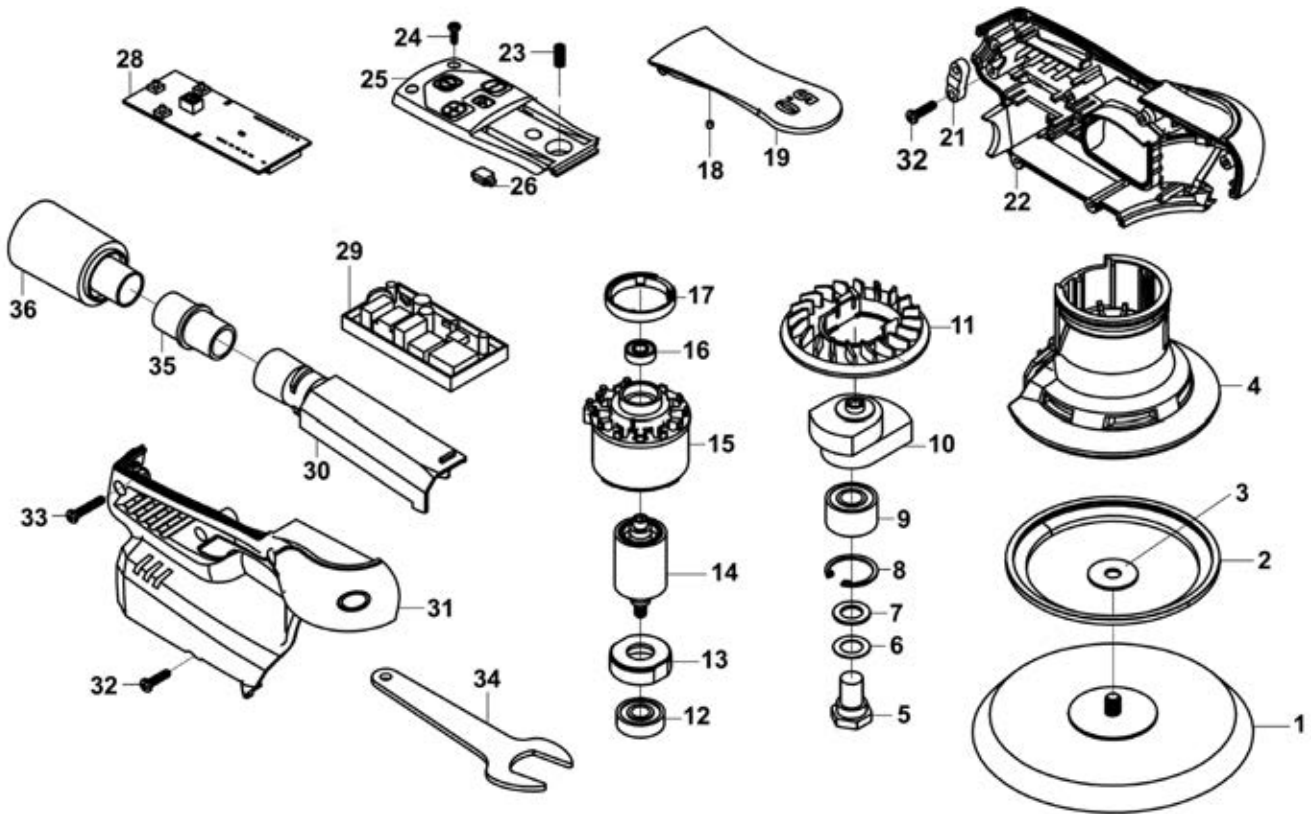


Parts Information:  
**Electric Palm Sander Ø150mm Variable  
 Speed 350W/230V  
 Model No: DAS150PS**



Item	Part No.	Description
1	AK289	Backing Pad
2	DAS150PS.02	Motor Casing Seal
3	DAS150PS.03	Spacer
4	DAS150PS.04	Motor Casing
5	DAS150PS.05	Spindle
6	FWM12.S	Flat Washer M12 Zinc
7	DAS150PS.07	Felt Washer (12 x 20 x 1.5)
8	DAS150PS.08	Int Circlip 28mm
9	DAS150PS.09	Double Bearing 5001RZ
10	DAS150PS.10	Counterbalance Weight
11	DAS150PS.11	Fan
12	B/6000-2RS	Bearing 6000-2RS
13	DAS150PS.13	Bearing Housing
14	DAS150PS.14	Rotor
15	DAS150PS.15	Stator
16	B/698ZZ	Bearing 698ZZ
17	DAS150PS.17	Alignment Ring
18	DAS150PS.18	Magnet

Item	Part No.	Description
19	DAS150PS.19	Start Button Kit
21	DAS150PS.21	Cable Grip
22	DAS150PS.22	Housing, Left Side
23	DAS150PS.23	Start Button Spring
24	PW2500.81	Screw (St3x12)
25	DAS150PS.25	Cover Plate
26	DAS150PS.26	Clear Lens
28	DAS150PS.28	Speed Controller
29	DAS150PS.29	Power PCB
30	DAS150PS.30	Dust Exhaust
31	DAS150PS.31	Housing, Right Side
32	CRM15.V5-37	Screw(St4x16)
33	DAS150PS.33	Self-Tapping Screw (ST4 x 30)
34	DAS150PS.34	Spindle Wrench
35	DAS150PS.35	Dust Extraction Adaptor (A)
36	DAS150PS.36	Dust Extraction Adaptor (B)
--	DAS150PS.37	Dust Extraction Hose (Not Shown)

**NOTE:** It is our policy to continually improve products and as such we reserve the right to alter data, specifications and component parts without prior notice. There may be alternative versions of this product, please contact us should you require this information.

**IMPORTANT:** No liability is accepted for incorrect use of product. Spare parts must be fitted by a competent person

**WARRANTY:** Guarantee is 12 months from purchase date, proof of which will be required for any claim.