



WORKSAFE HALF MASK RESPIRATORS AND FILTER CARTRIDGES

MODEL NOS: 9360, 9360/61, 9360/62, 9360/63, 9360/66

Thank you for purchasing a Sealey product. Manufactured to a high standard, this product will, if used according to these instructions, and properly maintained, give you years of trouble free performance.

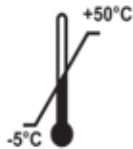
IMPORTANT: PLEASE READ THESE INSTRUCTIONS CAREFULLY. NOTE THE SAFE OPERATIONAL REQUIREMENTS, WARNINGS & CAUTIONS. USE THE PRODUCT CORRECTLY AND WITH CARE FOR THE PURPOSE FOR WHICH IT IS INTENDED. FAILURE TO DO SO MAY CAUSE DAMAGE AND/OR PERSONAL INJURY AND WILL INVALIDATE THE WARRANTY. KEEP THESE INSTRUCTIONS SAFE FOR FUTURE USE.



Refer to
instructions



Humidity to be
less than 80%



Store between
-5°C and 50°C

1. SAFETY

- WARNING!** Ensure all Health and Safety, local authority, and general workshop practice regulations are strictly adhered to when using this product.
- IMPORTANT!** NOT FOR USE WITH TOXIC PAINTS SUCH AS ISOCYANATE.
- WARNING! DO NOT** use in an oxygen deficient atmosphere (below 19% by volume).
- WARNING! DO NOT** use in an oxygen enriched atmosphere (above 25% by volume).
- ✓ Respirator selection must be undertaken by a competent person who is aware of the intended conditions of use. Only fit the respirator under the supervision of a competent person.
- ✓ If in doubt as to suitability of the equipment for the work to be undertaken, consult your supplier.
- ✓ Before use, check that the mask is clean and in good condition. If you detect deterioration of valve diaphragms, or other rubber components, replace immediately.
- ✓ Check that the correct cartridge is fitted to suit the hazard and that all components are correctly assembled and in a clean condition.
- ✓ Change the main filter cartridge frequently. The effective life of a main filter should be determined by a competent person who is aware of the conditions of use.
- ✓ Ensure you use recommended parts only, unauthorised parts may be dangerous and will invalidate any warranty.
- ✓ Only when worn correctly fitted will the mask provide the prescribed degree of protection.
- ✓ Ensure the face-piece fits comfortably on the face.
- WARNING!** Mask may not fit correctly if facial hair passes under the face-seal.
- ✓ Upon leaving the contaminated area, remove excess contamination from clothes before removing the respirator.
- ✓ After each working period, the respirator must be cleaned and prepared for the next period of use.
- ✗ **DO NOT** use detergents, thinners, solvents or petroleum-based disinfectant to clean the respirator. Clean the unit with warm soapy water only.
- ✗ **DO NOT** allow water to get into the main filter.
- ✓ Care must be taken to ensure the rubber seal on the inside of the filter holder is not damaged.
- ✓ Ensure you keep records of respirator maintenance.
- ✓ When not in use, store the cleaned respirator in a sealed plastic bag in a clean, dry atmosphere out of direct sunlight and out of the reach of children. Keep unit away from chemicals, abrasive substances and such that it cannot be damaged by physical contact with hard surfaces/items.

2. INTRODUCTION

Lightweight and dermatologically friendly made from soft thermoplastic elastomer. Built-in exhalation vent makes breathing out easy and comfortable without letting harmful materials in. Threaded cartridges makes connecting filters easy and efficient. Adjustable straps in order to optimize comfort and support.

3. SPECIFICATION

MODEL NO: 9360.....(Half Mask - No Cartridges)

MODEL NO: 9360/61 (Half Mask with A1P2R Filter Cartridges)

MODEL NO: 9360/62 (Half Mask with P3R Filter Cartridges)

MODEL NO: 9360/63 (Half Mask with ABEK1 P2R Filter Cartridges)

MODEL NO: 9360/66 (Half Mask with A2P3R Filter Cartridges)

FILTER OPTIONS:

FILTER PART NUMBER	RATING	PROTECTION	MAXIMUM USER LEVELS	Qty.
9361	A1 P2R	Organic Vapour and Particulate Pre-Filter	1000 ppm or 10 x OEL whichever is lower	2
9362	P3R	Particle Filter	30 x OEL	2
9363	ABEK1 P2R	OV/IO/AG/AM and Particulate Pre-filter	1000 ppm or 10 x OEL whichever is lower	2
9366	A2 P3R	Organic Vapour and Particulate	5000 ppm or 30 x OEL whichever is lower	2

SPARES:

9364: Pre-filter for 9361 & 9363 (Pack of 10).

9365: Pre-filter fixing ring for 9361 & 9363 (Pack of 2).

4. OPERATION

4.1. CHANGING THE FILTER

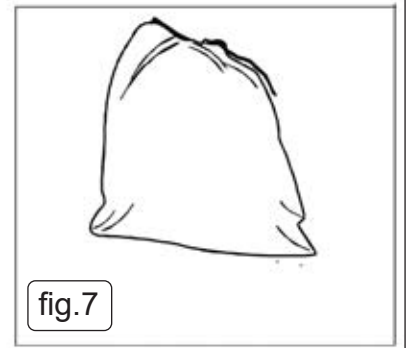
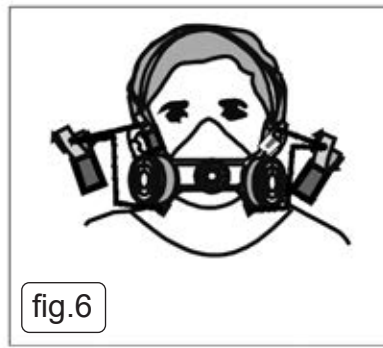
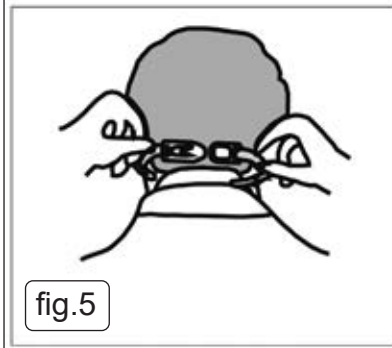
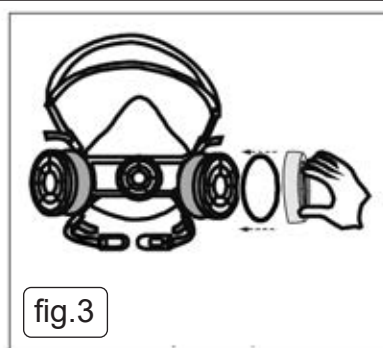
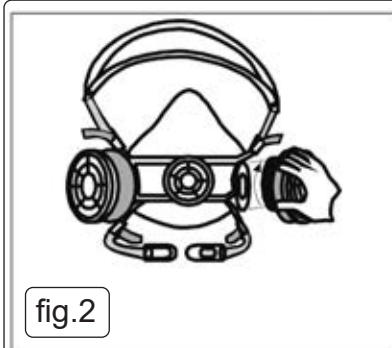
NOTE: If you unscrew and remove either of the filters and put them back on, check the seal has not been damaged.

4.2. DURING USE.

- 4.2.1. In the interest of safety, change the filter frequently.
- 4.2.2. The effective life of the filter should be determined by a competent person who is aware of the conditions of use.
- 4.2.3. Upon leaving the contaminated area, remove excess contamination from clothes before removing the respirator.

4.3. ASSEMBLY AND FITTING

- 4.3.1. Screw filter body into the face-mask housing (fig.2).
- 4.3.2. Fit Pre-filter (9361 / 9363) and Pre-filter fixing Ring (9365) to filter body (fig.3).
- 4.3.3. Place head straps over the back of the head and above the ears (fig.4).
- 4.3.4. Fasten the elastic strap on the back of the neck (fig.5).
- 4.3.5. Pull the ends of the elastic strap evenly until the face mask fits tightly against the user's face (fig.6).
- 4.3.6. When not in use, store the unit in accordance with instructions section 5.3 (fig.7).



5. MAINTENANCE

NOTE: All components have a shelf life of 5 years from date of purchase.

- 5.1. The lifetime of a filter depends on many factors including the work rate, the airflow and the concentration of the contaminant in the atmosphere. A gas filter should be changed immediately when chemical breakthrough of a contaminant is detected by smell, taste or any other means. A dust filter should be changed when breathing becomes impaired. The exterior of the filter can be cleaned with the use of a damp cloth. Solvents must not be used and care should be taken to ensure no water enters the filter. Cleaning of the filter does not extend its life.

5.2. CLEANING THE RESPIRATOR.

After each work period (shift, or working day, etc.) the respirator must be cleaned and prepared for the next period of use. When the filter is being replaced it is a good opportunity to disassemble the respirator and thoroughly clean it. No special tools are required to remove any of the components from the face-piece.

- 5.2.1. The outer surfaces of the respirator may be cleaned using a cloth dampened with warm soapy water, then dried using a dry cloth.

5.2.2. DO NOT ALLOW WATER TO GET INTO THE FILTER.

- 5.2.3. Clean the respirator components using warm soapy water.

* **DO NOT USE DETERGENTS, THINNERS, SOLVENTS OR PETROLEUM-BASED DISINFECTANTS. TAKE GREAT CARE NOT TO DAMAGE THE RUBBER SEAL ON THE INSIDE OF THE FILTER HOLDER WHILST CLEANING.**

- 5.2.4. Inhalation and exhalation valves must be cleaned carefully. **DO NOT** stretch or distort the valves as this may cause incorrect sealing. Wipe the inside surface of the mask using a mild antiseptic solution, and dry with a clean cloth.

IF ANY DETERIORATION OF COMPONENTS IS VISIBLE, REPLACE IMMEDIATELY.

- 5.2.5. Rinse in clean, cool water, shake off any surplus water, wipe with a clean dry cloth and allow to dry naturally.

- 5.2.6. Once the components are clean and dry, re-assemble the respirator in correct order.

- 5.2.7. Fit the correct new filter (see Section 3).

5.3. STORAGE

- 5.3.1. When not in use or during transportation, this filter should be stored in a sealed container such that it is out of direct sunlight, away from chemicals, abrasive substances and cannot be damaged by physical contact with hard surfaces/items.
- 5.3.2. Filters should be stored in a dry, cool environment away from direct sunlight and contamination.

NOTE: Humidity value of storage area to be less than 80%.

NOTE: Storage area temperature to be between -5°C to 50°C.

5.4. MATERIALS

Part	Material
Face Seal	Thermoplastic Elastomer (TPE) / Silicon
Head Harness	Polyethylene
Head Strap	Polyester / Cotton / Polyisoprene
Inhalation Valve	Silicon Rubber
Exhalation Valve	Silicon Rubber



ENVIRONMENT PROTECTION

Recycle unwanted materials instead of disposing of them as waste. All tools, accessories and packaging should be sorted, taken to a recycling centre and disposed of in a manner which is compatible with the environment. When the product becomes completely unserviceable and requires disposal, drain any fluids (if applicable) into approved containers and dispose of the product and fluids according to local regulations.

Note: It is our policy to continually improve products and as such we reserve the right to alter data, specifications and component parts without prior notice.

Important: No Liability is accepted for incorrect use of this product.

Warranty: Guarantee is 12 months from purchase date, proof of which is required for any claim.

Sealey Group, Kempson Way, Suffolk Business Park, Bury St Edmunds, Suffolk. IP32 7AR



01284 757500



01284 703534



sales@sealey.co.uk



www.sealey.co.uk