

Albion Firepit

User Instructions

58165



Tools required (not included)



These instructions form part of this appliance. Please be sure to read them before use and keep for future reference. This product is for domestic use only and should not be used commercially or for contract purposes.

Produced in PRC for La Hacienda Ltd
Hangar 27, Site C, Aston Down Airfield, Nr Stroud, Glos, GL6 8HR, UK
www.lahacienda.co.uk

58165_Albion_Firepit_FP_IM_1.4



Care and safe use guidelines

SAFETY INFORMATION

WARNINGS:

- To prevent damage or surface cracking, do not drop this appliance.
- This appliance will become very hot in use, do not move it during operation.
- Always use heat resistant gloves when adding fuel or when using any safety tool (where supplied).
- Do not use this appliance in a confined and/or habitable space e.g. houses, tents, caravans, motor homes or boats. Danger of carbon monoxide poisoning fatality.
- Keep children and pets away.
- Do not use this appliance as a furnace.

FIRE HAZARD:

- This appliance must be installed on a secure level base before use.
- Do not use this appliance on wooden decking or any other flammable surfaces such as dry grass, wood chips, leaves or decorative bark, etc.
- Do not use this appliance on artificial grass or other surfaces that are not heat resistant.
- Hot embers may be emitted whilst in use.
- Ensure that this appliance is positioned at least 2 meters away from any flammable materials and has a minimum clearance of 2 metres from overhead and adjacent surroundings.

CARE & USE

- When lifting or moving this appliance, never drag it; seek assistance as necessary.
- As this appliance has components made from steel and/or cast iron, the surface will age and develop surface rust over time once it is exposed to natural weather elements. This is to be expected and does not constitute an appliance fault.
- For safety reasons, it is recommended to inspect this appliance before each use for signs of fatigue and damage. Be sure to replace any appliance that has reached the end of its natural life.
- If this appliance is left outside temporarily a suitable cover must be used, once it has cooled completely.
- For long-term storage this appliance must be stored in an environment that is free from frost, rain and excessive moisture.
- This appliance could mark or stain a patio; to protect against this place onto a separate patio slab or brick base.

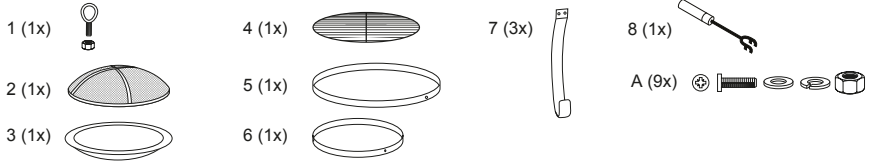
SOLID FUEL TYPES & LEVELS

- For outdoor heating, the following fuel types may be used with this appliance: untreated wood, logs and Easylogs.
- Do not burn coal in this appliance.
- Do not overload with fuel: it is recommended to fill only to half capacity of the fire bowl or fuel burning area.
- The recommended quantity of fuel must never be exceeded by greater than 50%.

LIGHTING, REFUELLING & EXTINGUISHING

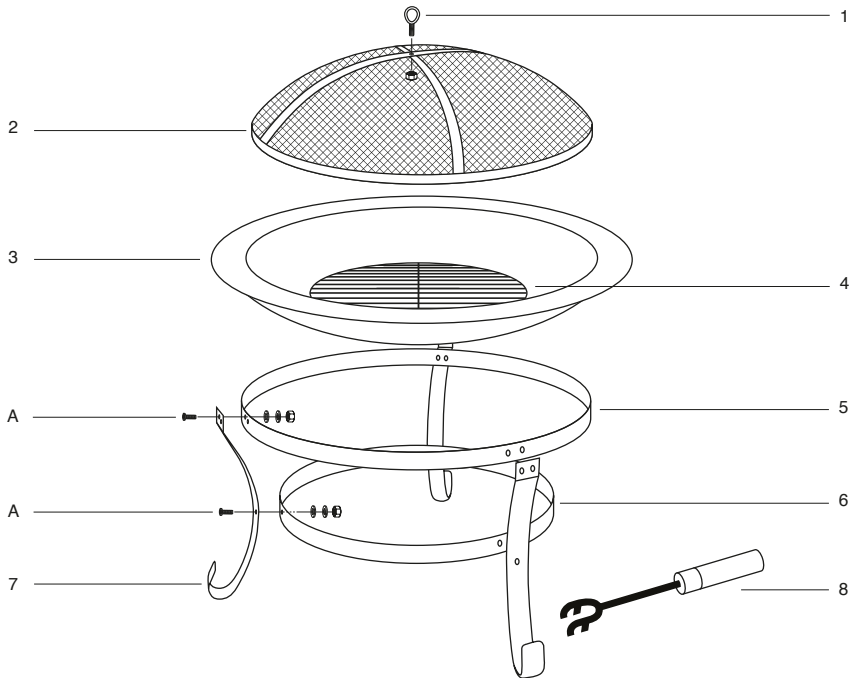
- **WARNING!** Do not use spirit or petrol for lighting or re-lighting! Use only firelighters complying to EN 1860-3.
- Prepare a stack of loosely crumpled newspaper or eco firelighters (or compatible, tested to EN 1860-3) into the fuel-burning area.
- Pile finely split, dry, firewood on top of the paper.
- Add half of the fuel leaving access to light the paper.
- Light the paper or firelighters using long safety matches or a long-reach lighter. Once the fire is established add the remaining fuel.
- Always use heat resistant gloves, tested to EN 407, when adding fuel, or when using any safety tool (where supplied).
- Do not drop or throw fuel into the appliance as this can cause cracks/fractures to the appliance.
- To extinguish the fire after use: stop adding fuel and allow the fire to die; alternatively douse it with sand. Do not use water as this may damage the appliance, and will also create excess ash particles.

Parts List



Prior to assembly, read the instructions carefully. Check all parts against this parts list. Carry out assembly on a soft surface to avoid scratching the paint. Please retain this information for future reference.

Assembly Diagrams



Assembly Instructions

IMPORTANT! - Remove any packaging before use, but retain the safety instructions and store them with this product.

STEP 1 - Attach the legs (7) to the upper ring (5) using 2x sets of nuts and bolts (A), per leg (7).

STEP 2 - Attach the legs (7) to the lower ring (6) using 1x sets of nuts and bolts (A), per leg (7).

STEP 3 - Place firebowl (3) into leg frame.

STEP 4 - Secure the mesh lid handle (1) to the mesh lid (2) using pre-attached nut.

STEP 5 - Position the log grate (4) into the firebowl (3), and then place the mesh lid (2) onto the firepit.

The product is now ready to use but please ensure you have read these instructions thoroughly prior to use.

