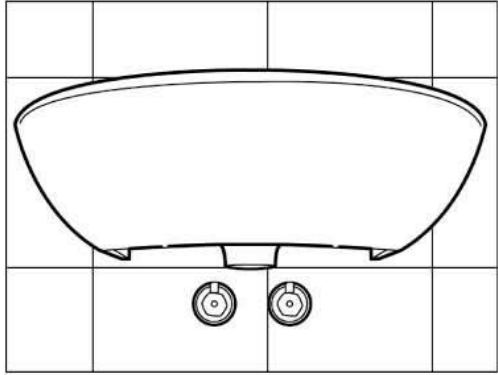
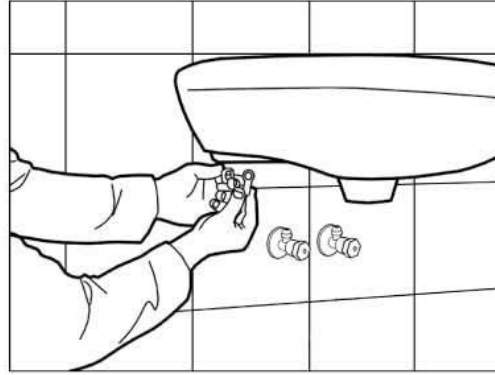


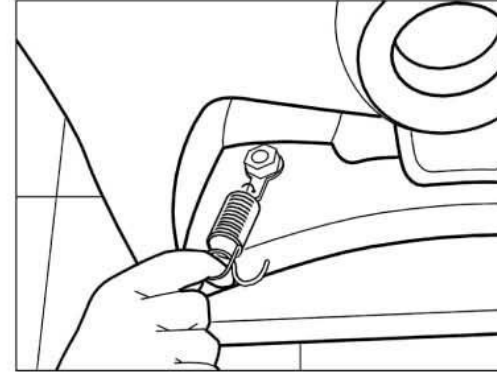
Washbasin with Semi-Pedestal (with Spring)



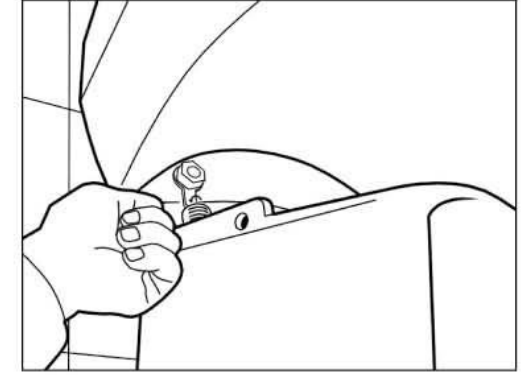
1. The washbasin is mounted on the wall.



2. The spring fixing washer is installed on washbasin mounting screw and the nut is tightened.



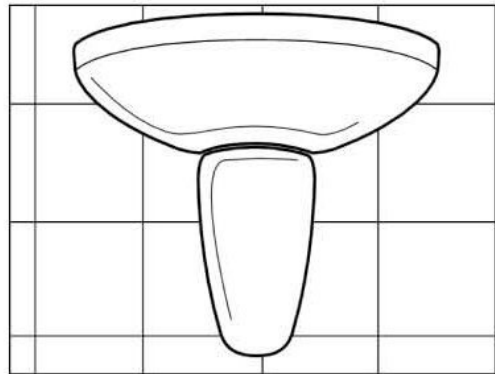
3. The tightening spring end is hooked on the last hole of spring fixing washer and spring stretching ring is held.



4. At the same time the semi-pedestal is placed under the washbasin. The hook of the spring stretched to the fixture hole of the semi-pedestal is attached to the hole.



4a. Spring fixings supplied with a sleeve are adjustable. Rotate the sleeve anti-clockwise to shorten and clockwise to lengthen.



5. Mounting is completed attaching the other spring with the same method, too.

Check out our full range of Bathroom Suites

Bathroom Suites By Range

Cloakroom Suites

Toilets

Bathroom Sinks / Wash Basins

Bidets

Baths

Wide variety of toilets

Close Coupled Toilets

Wall Hung Toilets

Back To Wall Toilets

Furniture unit toilets

Huge Selection of Baths

Acrylic Baths

Steel Baths

Shower baths

Freestanding baths

Small baths

Corner baths

Whirlpool baths

Don't forget the important bathroom suite extras

Bath panels

Toilet seats

plumbworld
Big brands, small prices.