



ALWAYS Read these installation instructions carefully before installing this product and leave with the end user FOR FUTURE REFERENCE.



ALWAYS Have the seats installed by a trained and experienced installer. Make the seat height suitable for the user.



ALWAYS Attach this Seat to a surface using fixings matched to the type of surface and the loading conditions to be applied.



ALWAYS Use hole reducers if seat cushions are not used.



NEVER Exceed the weight capacity of 560 lb (254 Kg) (40 stone)

NEVER NEVER Install countersunk screws to fixing holes. Stand on the shower seat. This may reduce the strength of the shower seat and will invalidate any warranty or weight capacity stated.



DO NOT Place matches or cigarettes on or near this product.



The following plastic materials are used in this product:

Polypropylene(PP), Poly Vinyl Chloride (PVC-U) Thermoplastic Rubber (TPR). High Density Polyethylene (HDPE) Polyurethane Foam (PU)

No natural Rubber or Latex used in this product.



BEWARE A pinch hazard may be present around the region of the leg mechanism during the raising and lowering of this seat.



BEWARE making fixing holes larger will reduce the strength of the seat and invalidate any warranty or stated weight capacity.



This product conforms to the essential requirements of the Medical Devices Directive 93/42/EEC and representative samples have been evaluated under EN12182:1999 and EN12727:2000 For use solely as a shower seat (assistive, Class 1 device). Declaration issued under the sole responsibility of the manufacturer.

The AKW 4000 series shower seats conform to the requirements of the EU Council directive 93/42/EEC for a class 1 non-invasive transient use device, using the following harmonized European standards in the confirming assessment: BS EN 12182:1999, BS EN 12727:2000

The measurements throughout these installation and user care instructions have been converted from metric to its equivalent in imperial, therefore all dimensions are approximate and subject to manufacturing tolerances. These instructions are offered as advised minimum standards of installation and recommended best practice for the installations. Due to the very wide variability of possible installation conditions AKW Ltd does not make any warranty, expressed or implied, or accept any liability in connection with this information or its use. This information is furnished upon the condition that the person receiving it shall make his/her own tests to determine the suitability thereof for his/her particular purpose.

IMPORTANT SAFETY INFORMATION

Orderline
01905 823299

General Enquiries
01905 823298

Technical Help line
01905 823242

Fax
01905 823297

Website
www.akw-ltd.co.uk

Quotes & orders email
orders@akw-ltd.co.uk

Enquiries email
sales@akw-ltd.co.uk

Post
AKW, Pointon Way,
Hampton Lovett,
Droitwich Spa,
WR9 0LR

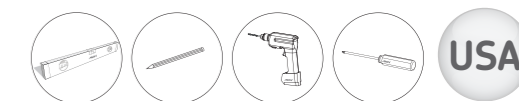
What to do if something goes wrong?

In the unlikely event that you should find a part missing or something goes wrong, please contact AKW Customer Services who will provide further advice and if necessary arrange for our service engineer to visit or discuss our comprehensive after-sales service. As part of our quality and training program calls may be monitored or recorded. None of the forgoing affects your statutory rights.

Failure to install this AKW product in accordance with supplied instructions or the making of unauthorised modifications will invalidate any warranty and will affect product safety.

AKW[®]
life. style. choice.

4000 Series Fold Down Seat Installation and User Care Instructions



Read ALL instructions carefully BEFORE installation and leave with the end user

Colour: WHITE RAL 9016 / Grey to RAL 7035 or High Contrast Blue to RAL 5005 Internal Building use only

ESSENTIAL INSTALLER INFORMATION

Never exceed the weight capacity of 560lb (254Kg) (40 stone) Adjust support legs ensuring that both legs sit firmly on a flat surface, (maximum 1 in 40 shower base slope), when placed in the down position. Curved surfaces such as corners of bathtubs are not acceptable.

This seat must be attached to a vertical surface using suitable fixings appropriate to the type of surface and loading conditions to be applied. Stainless steel fixings are recommended. Make sure all fixing holes are used. Take care not to damage the painted surface. Do not add countersinks or make any holes larger. This can reduce the strength of the frame and invalidate any warranty or weight capacity stated.

Safe Handling Operation

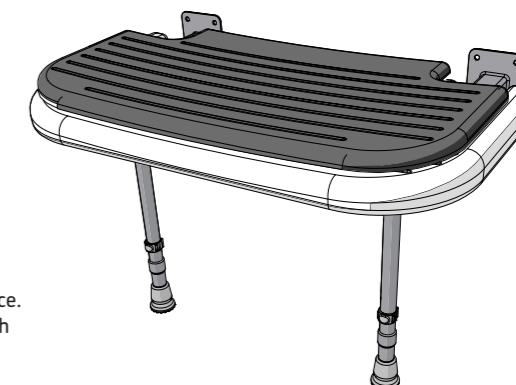
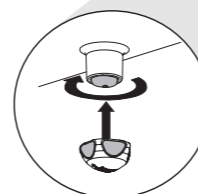
- Always hold the seat and legs as shown in the picture if opening the seat when inverted.
- Never force the legs apart or open the seat by only lifting the legs.
- Refer to the fitting guidance for size and location of the fixings required.
- After installation check that all 4 of the push-on stainless-steel caps at the wall brackets and 2 plastic pivot caps on the leg linkage are firmly in place.
- The AKW 4000 series of shower seats has been independently tested to 25,000 operations of the leg/seat mechanism.

Cushion Assembly

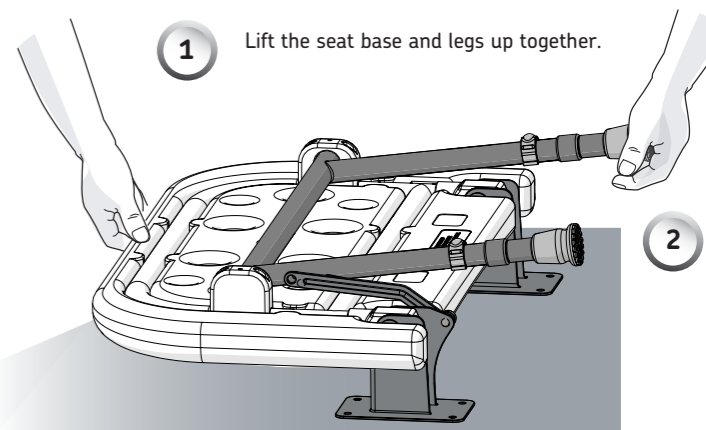
- 1 Fit seat pad to seat. Note the front of the pad as indicated.

The seat pad retainer is fitted from underneath the seat.

- 2 Each pad locating bung has a retainer (4 in total)



Covered by one or more of the following Registered Designs:
GB 3011016/7
EU 000062047-0001/2
US D510487
US D501611
US D494767

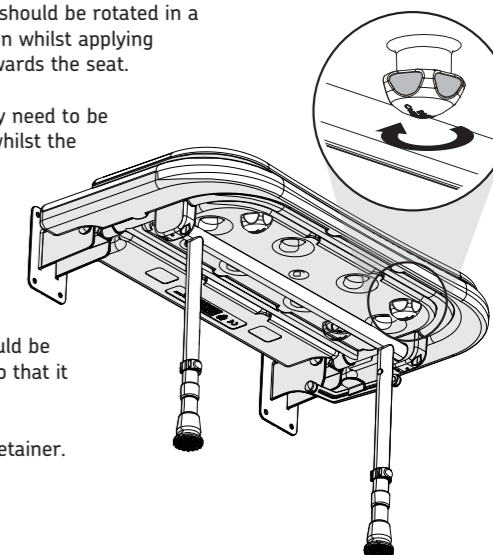


1 Lift the seat base and legs up together.

- 3 To fit retainer, it should be rotated in a clockwise direction whilst applying firm pressure towards the seat.

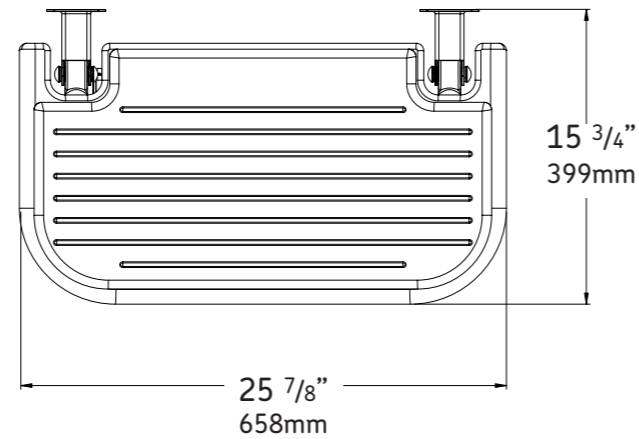
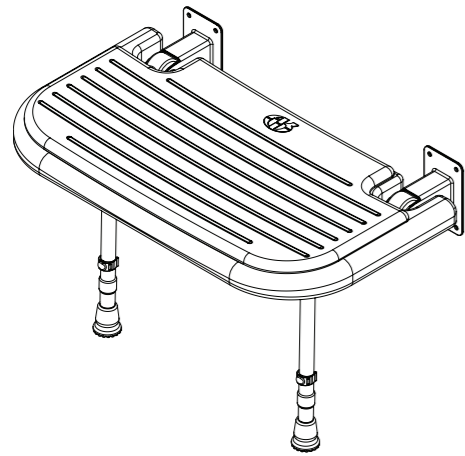
The seat pad may need to be held in position whilst the retainer is fitted.

- 4 The retainer should be hand tightened so that it is a secure fit. Be careful not to overtighten the retainer.

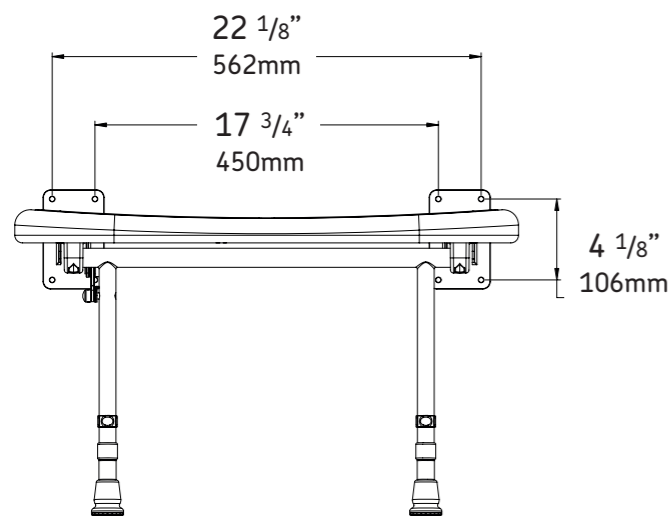


If a SEAT PAD is not fitted, please ensure that plugs are fitted to all holes.

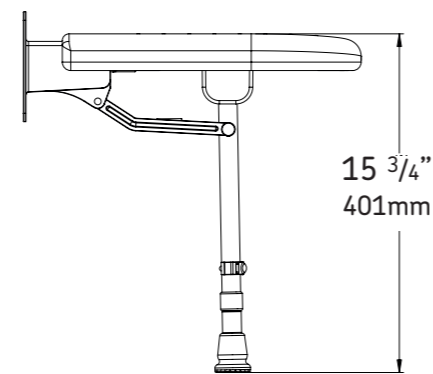
All Dimensions are subject to manufacturing tolerances



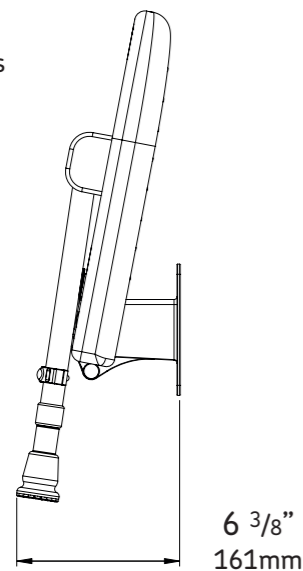
Mounting Hole Dimensions



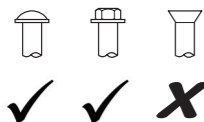
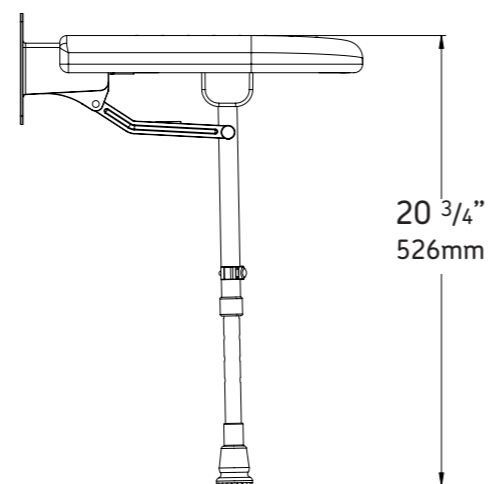
Minimum Height Dimensions



Folded Dimensions



Maximum Height Dimensions



Do not use fixings with Countersunk heads.

Installation Instructions

Lay the seat on its back on the floor.

When placed on the floor, the legs are locked down by the mechanism. Lift the seat base and legs up together.

This seat must be attached to a vertical surface using suitable fixings appropriate to the type of surface and loading conditions to be applied.

Adjust support legs ensuring that both legs sit firmly on a flat surface, (maximum 1 in 40 shower base slope), when placed in the down position. Curved surfaces such as corners of bathtubs are not acceptable.

Stainless steel fixings are recommended.

You should consult a fixing manufacturer if you are unsure of which type of fixing to use, stating the type and construction of the vertical surface and the version of seat product.

We are unable to specify the type of fixing to be used due to the vast number of possible types and conditions of vertical surfaces to which the shower seat can be attached.

Make sure all fixing holes are used.

Do not use Countersunk fixing or make any holes larger. This can reduce the strength of the frame and invalidate any warranty or load rating stated.

Take care not to damage the painted surface.

Install the seat. Once installed check that the plastic pivot caps are firmly in place.

User Care Instructions

Shower Seat Use

The Shower Seat must only be used for the task it is intended to perform.

Do not stand on it or misuse it. This may have serious detrimental effects on its performance and safety.

The Shower Seat should be checked as part of a planned maintenance programme.

Children and other users may require supervision when using this product.

Keeping your AKW Shower Seat Clean

This product should be cleaned periodically to remove any accumulation of hair or other waste material, using normal domestic bathroom cleaning materials.

After cleaning always flush down with water then wipe thoroughly with a damp cloth to remove any cleaning material residues before drying off.

Disinfecting

Where disinfecting is necessary, standard established procedures for disinfecting equipment should be used with due care and attention taken of the warnings concerning possible effects of aggressive chemicals on plastics.

Do not use strong or concentrated acidic, alkaline or other cleaning materials on an abrasive pad as these may discolour or damage the product.

AKW does not approve or recommend autoclave cleaning due to the damage this can cause to the special engineering plastics used in the construction of this product.

Packaging

This Shower Seat is supplied in a polypropylene (PP) bag to keep the product unsoiled until installation; it may also be packed in a cardboard box. Both are suitable for recycling operations and should be disposed of in accordance with local recycling regulations.