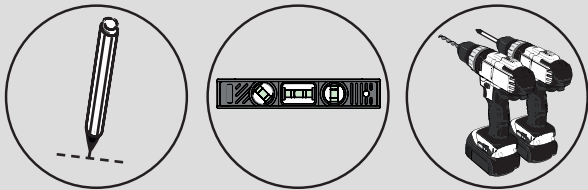




AKW[®]
Life Made Better


TuffForm Wet Floor Former



Installation Instructions & User Care Instructions

 Suitable for concrete or wooden floors

 TuffForm
Formers
are trimmable


(381kg)
(60stone)
(840lbs)



Sizes Available:
900x900mm
1000x1000mm
1200x1200mm
1200x900mm
770x1135mm
820x1300mm
820x1500mm
820x1800mm
1200x1500mm
820x1300mm
900x1400mm

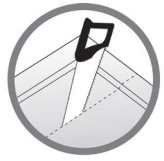
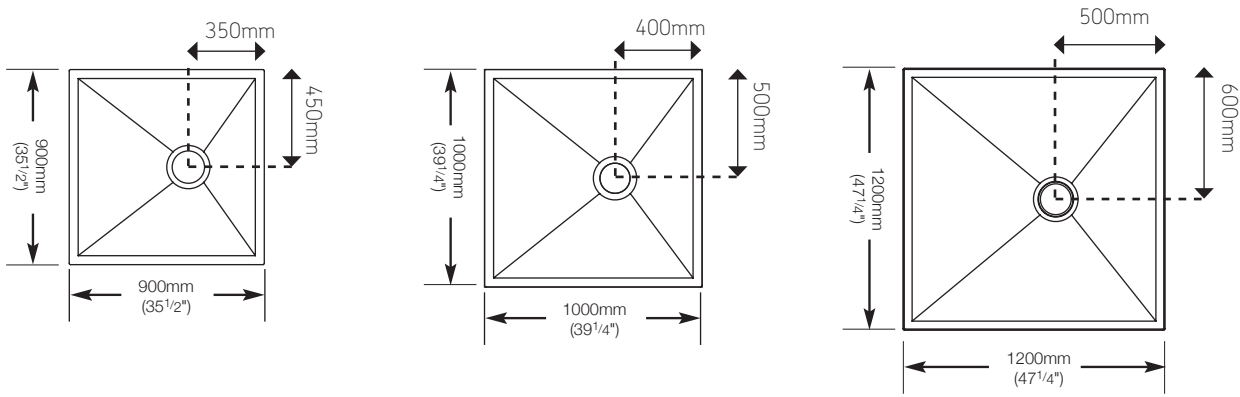
AKW AKW MediCare
TuffForm
Wet Floor
Former
ICC
ES
PMG
03-061-04 ICC Listed

CE
AKW Limited
Pointon Way, Hampton Lovett
Droitwich Spa, WR9 0LR
13
DoP 03-061-003
PH
EN 14527: 2006+A1: 2010
CL1+CL2

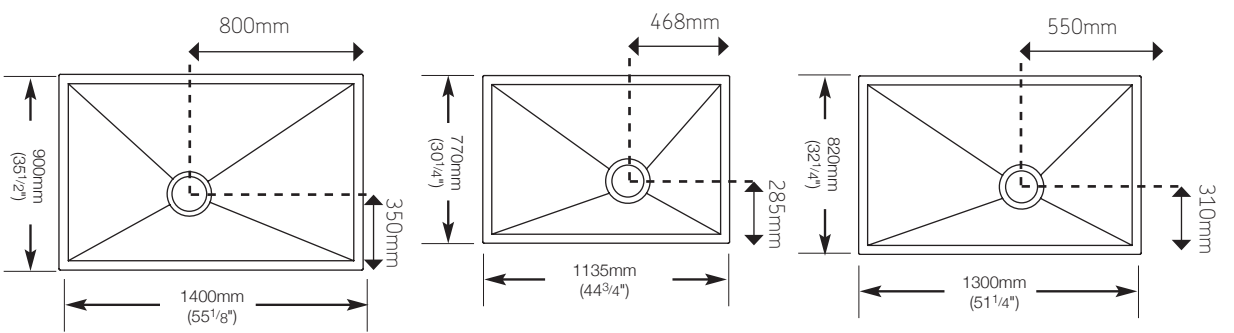
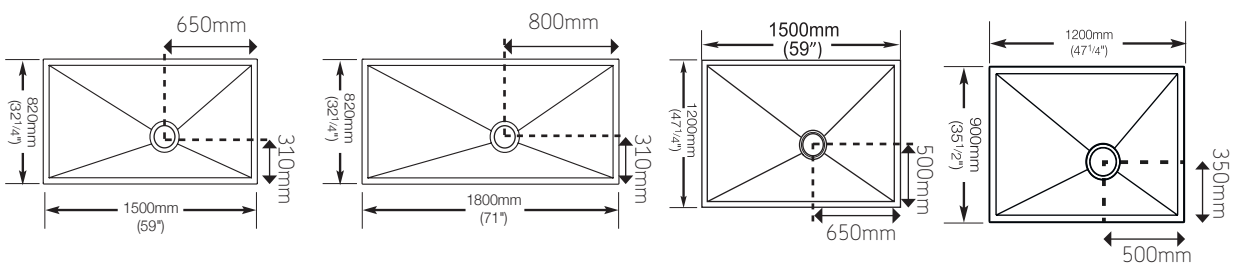
Installer- please read all instructions carefully before installation
and leave these instructions with the end user for future reference



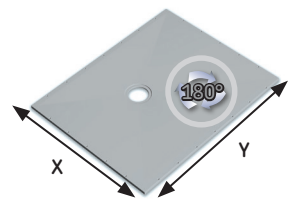
TuffForm - Wet Room Shower Former Range



Cut To Length



By rotating the rectangular formers by 180° the waste position location can be moved to avoid the joists



Never exceed the weight capacity of 381kg / 840lb / 60 Stone when installed and fully maintained according to these instructions. Ensure waste outlet area is fully supported on all 4 sides at least 110mm from the centre of the waste. TFs are trimmable upto 150mm of the waste area. Turn off the mains electric supply before starting any work. Never use power tools if you are standing in water or on a wet surface. Be careful of pipe work or underfloor cables as risk of shock can be present.

Caution when using power-tools indoors and in wet room areas can be still be dangerous.

Only use cordless power tools that are double insulated.

Note: Other tools and materials maybe needed depending on specific site requirements.



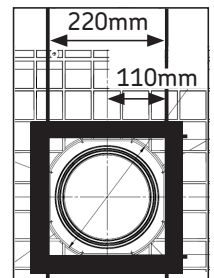
TuffForm - Assembly and important information

i TuffForm is designed for solid floor and wooden floor installations.

Please ensure that you read these instructions in full before commencing work.

The TuffForm wet floor former is designed to be installed into concrete floors or into wooden floors supported by a reinforced sub floor or additional noggins and then either tiled over or used with a safety floor covering. If tiling TuffForm is designed to work with a waste drainage system and a waterproofing membrane tanking system. TuffForm accommodates many different waste options - TF75 (25106 or 25408) / TFWA+GW19 (25129) TFWA+GW50 (25124) / TFWA adaptor only (25107) / Low Depth GW90 & adaptor (25404+25409) / Silentflow+ (25414) or PGTF (25101) used for vinyl or safety flooring. SS-TF75 (LB00101) / SS-TFWA+GW19 (LB00103)/ SS-TFWA+GW50 (LB00102) / SS-TFWA adaptor only (LB00171) or SS-PGTF (LB00104) used for tiled floors. Stainless Steel Waste Adaptors include 2 different adaptor rings to suit most tile heights, ensure your waste option is suited to your installation. For more information see our full product catalogue.

When installing your TuffForm former you should consider your desired wet room layout, the position of the supporting floor joists and the waste pipe exit route. The TuffForm former has an offset waste so it can be rotated 180° degrees so that the waste area position location can be moved to avoid any joists or pipe runs. This will allow you to install the waste into the spaces between the floor joists or most suitable area of solid floor and achieve your wetroom layout. The waste unit must be fully supported on all four sides with additional joists/noggins within 110mm of the centre of the waste outlet position to support the waste area 220x220mm. Ensure to make provision for the waste outlet pipe exit route and elbow in one of the noggins supporting the waste area. Do not cut into the joists/noggins from above. TuffForm Formers are trimmable and can be cut to within 150mm of the waste outlet without losing any strength but the waste area must be supported.



Note: All cut ends must be placed up against the wall.

If installing with a floating floor construction ensure the TuffForm former is still fully supported with additional joists/noggins on all 4 sides and with supports at 350-400mm centres. The waste outlet area must be also supported to within 110mm from the centre of the waste outlet position. Ensure the floating floor construction is level and any insulating materials are replaced between the load bearing members. Slippage or lifting during installation on a concrete floor is eliminated by the honeycomb underside which allows the tray to key into soft cement or screed.

If tiling you will need to consider which waterproofing membrane treatment you are going to apply to the floor and walls in your wet area. AKW recommend FormSafe® or Mapei® waterproofing membrane tanking kit systems which has been specifically designed to work with all our formers when lightly abraded. Ensure the rest of the wetfloor showering area is level with the height of the former, traditionally this has been done by adding a plywood sub-floor underlay or backer board to support tiling. Only when TuffForm is level with the surrounding floor can a waterproof barrier such as FormSafe® or Mapei® can be applied and then covered with tiles. Follow separate waterproofing system instructions for further details.

Safety flooring for wet areas is an anti-slip flooring surface. It is specifically designed for safety with wet, bare feet or soft soled footwear, ideal for showering wet rooms. Safety flooring must be installed using appropriate adhesive on a smooth, dry and suitable substrate with the former lightly abraded before applying the adhesive.

The thermal insulating properties of TuffForm are ideal for the addition of electric underfloor heating which can be installed over the shower former. If you are going to cover your existing floor with underfloor heating you will need to allow for this increase in the finished height of the surrounding floor during installation. Adjust the heights of the reinforcing sub-floor and the platform that it is installed on so that the edges of the installed former finish flush with the rest of your reinforced underlaid bathroom flooring.

Failure to install this AKW product in accordance with supplied instructions or the making of unauthorised modifications will invalidate any warranty and will affect product safety.

AKW Guarantee your wet floor former for life from the date of installation, see warranty for details.

For further information please visit:

<http://www.akw-ltd.co.uk/catalogue-downloads/videos/installation-videos/>

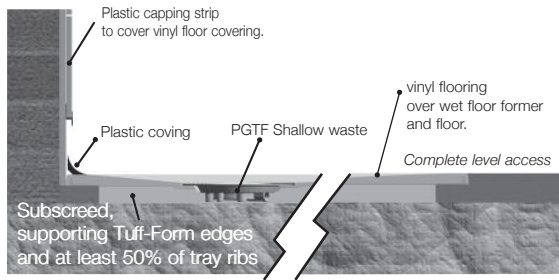
Screeded Floor Installation Instructions

TuffForm Waste Options- PGTF / SS PGTF / GW50 / GW19 / TFWA

Depth below formers: SilentFlow+PGTF 22mm= 51mm - PGTF 15mm=35mm - GW19=97mm - GW50=128mm



Formers
are
trimmable



Step 1. Position the TuffForm over the desired location for the shower. Formers are trimmable and can be cut to down to minimum 150mm to the waste area. Ensure the cut edges are straight and put towards the wall mounted side. If necessary cut to the correct size with a suitable circular saw or a fine toothed blade. Mark around the edge of the shower former.

Step 2. Remove the existing flooring and dig out building materials to the wet floor former area. Always wear protective equipment.

Step 3. Route waste outlet and remove any building materials such as concrete to allow waste pipe to reach an outside gully. For example a TFWA +GW50 requires 128mm depth under the former to allow for installation. For SilentFlow+ PGTF 22mm PGTF upto 51mm depth is needed for the sump

dish. Use a high quality pipe system for all buried connections. Always follow separate waste installation instructions and for pumped wastes always fit JohnGuest "C" clip. Connect the waste drain to the outlet pipe and clear away all excess adhesive. Ensure the bottom of the waste is supported and secure the waste drain or PGTF sump dish in place. Test for leaks.

Step 4. Remove all loose materials. Add the level screeded floor, covering all of the former area. The TuffForm must be fully supported on all four edges and evenly over at least 50% of the honeycomb underside. The waste must be fully supported within 110mm the centre of the waste outlet position. Do not "Dot & Dab" as the supporting surface must be level. Sand and cement may be used to create a subscreed at least 22mm lower than the finished floor height. Allow this mix to set. Flexible sand & cement mix may then be applied liberally to the subscreed to hold the former firmly in position at installation. Do not use foam or plaster as a load bearing support as it will break down under repeated use.



Step 1

Mark out
tray area

Cut former
to size



Step 2

Remove
existing
flooring



Step 3

Route waste
outlet

Step 5. The edges of the TuffForm must finish flush and level on all 4 sides with the top of the finished screed top surface which should also be level. If necessary the former can be screwed down, do not overtighten. Ensure the fall is correct and the former is level before allowing to dry. Connect waste adaptor to the waste drain outlet and secure to the former. See separate waste installation instruction.

Step 6. The waste hole should be covered to protect it from any dirt or debris. Lightly abrade top surface and then wipe clean. This will allow any tanking system or safety floor adhesive to achieve the best bond to the former. Allow for the curing time and ensure the screed floor is set hard before installing the tanking kit. Remove any sharp objects or abrasive materials. The showering area must be level and smooth before applying any tanking system or adhesive. Always follow manufacturer guidelines.

Allow 24hrs after tiling before showering.

Step 4

Add
screeded level
floor

Step 5

Connect
waste
outlet

Test
position
and levels

Step 6

Secure, seal
and fix down

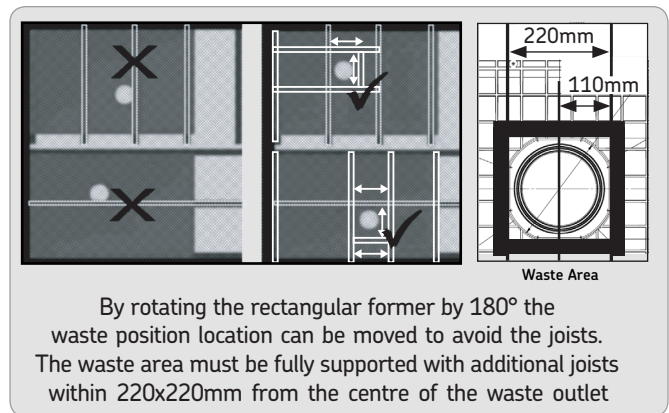
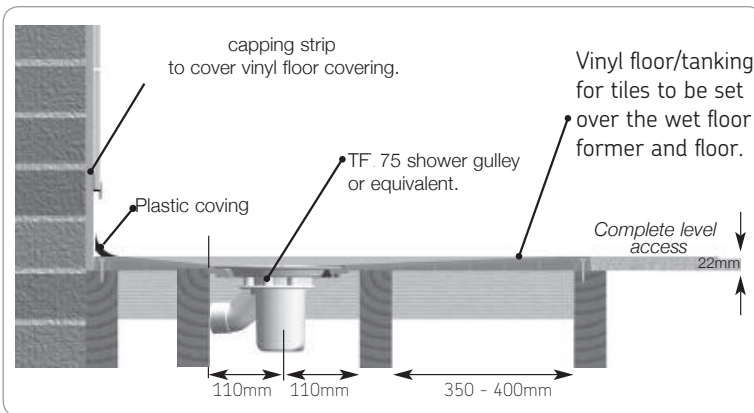
Wooden Floor Installation Instructions



Formers are trimmable

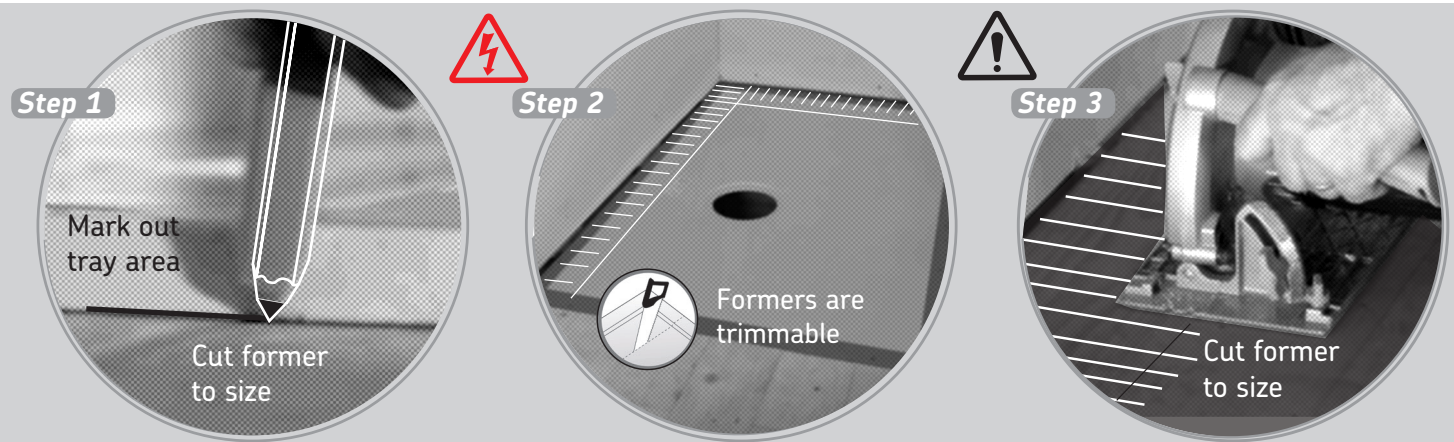
TuffForm Waste Options- PGTF / SS PGTF / TF75 / GW50 / GW19 / TFWA

Depth below formers: SilentFlow PGTF 22mm= 51mm - PGTF 15mm=35mm - GW19=97mm - GW50=128mm



Step 1. Position the TuffForm over the desired location for the shower and mark around the edge of the shower former. Align the TuffForm into position and check for waste outlet entry. To avoid or minimise joist overlap, the TuffForm former waste location is offset and it can be rotated 180° to allow the waste to fit between the joists.

Step 2&3. Formers are trimmable and can cut to down to minimum 150mm to the waste area. Ensure the cut edges are straight and put towards the wall mounted side and not the floor entry as the height difference will be less than the floor boards. Ensure the tray fall is still towards the waste area. If necessary cut to the correct size with a suitable circular saw and always wear protective equipment when handling power tools.

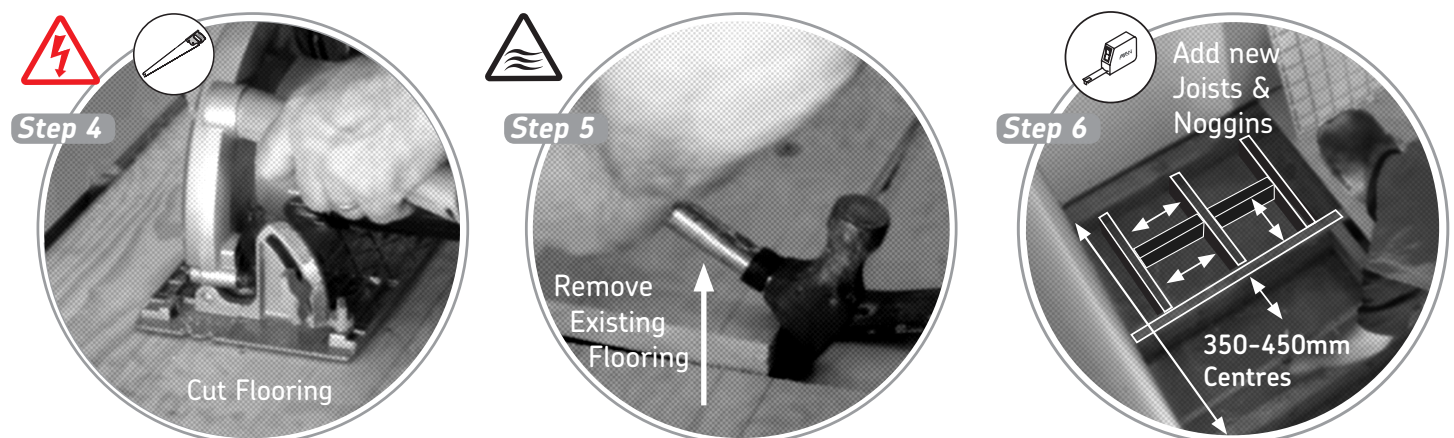


Step 4. Cut out the flooring area, taking care not to cut through supporting joists or any plumbing or electrical wiring which may be below the floor boards.

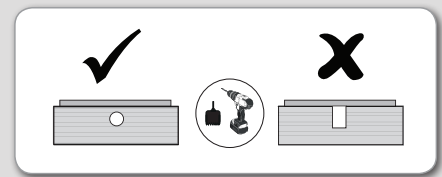
Step 5. Carefully remove the floor boards with suitable tools taking care of any hidden pipes or wiring.

Step 6. Place new Joists/Noggins 75mm x 50mm (3"x 2") to all the supporting edges of the cut-out area to provide support for both the TuffForm former and the existing floor edge. The 50mm (2") wide supporting joists must be on 350-400mm (14-16") centres maximum apart.

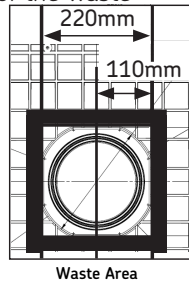
Please note that the top surfaces of the joists/noggins do not require profiling for this flat-bottomed former.



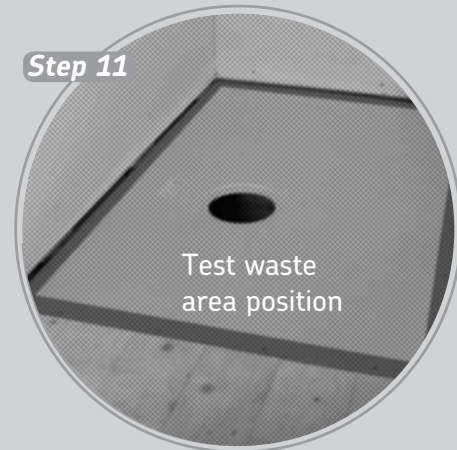
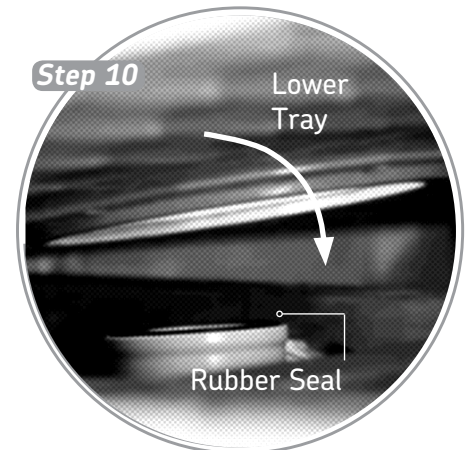
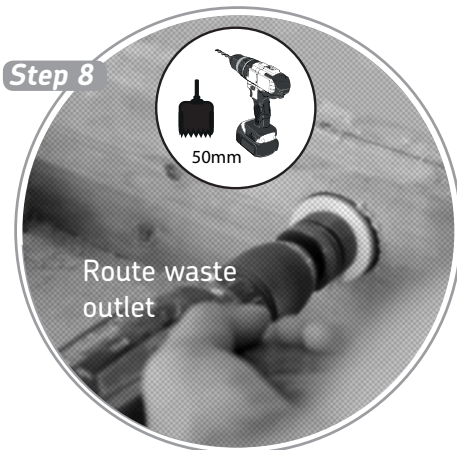
Wooden Floor Installation Instructions



Step 7. The waste outlet area subframe **220x220mm** must be supporting the former on all four sides with additional noggins 110mm from the centre of the waste outlet position. Make provision for the waste outlet pipe and elbow in one of the noggins supporting the waste outlet area. Mark and measure the waste outlet pipe position for the shower tray.



Step 8. Only use a rotary hole cutter to drill through the joist or noggins. Do not cut or saw into the joists or noggins from above.



Step 9. Insert pipework through the joists and noggins and connect to waste outlet pipe. Ensure the base of the waste drain is fully supported. Check that the top of the waste is in line with the top of the joists. Securely connect the waste drain to the 1½" waste outlet pipe if installing gravity drainage and test for leaks by pouring water into drain to ensure it is water tight as it will not be possible to return to it once the former has been installed.

Step 10. Lower the tray and ensure the rubber seal is fitted to the top of the waste before connecting waste adaptor.

Step 11. Test fit the shower former outlet positions to ensure a tight fit and the alignment of the waste and the drain. Before connecting the waste adaptor check the floor level surface on all 4 sides to TuffForm mounting surface is 22mm. If not, see step 16 (set levels).

Step 12. Ensure the waste adaptor is securely connected to the waste outlet.

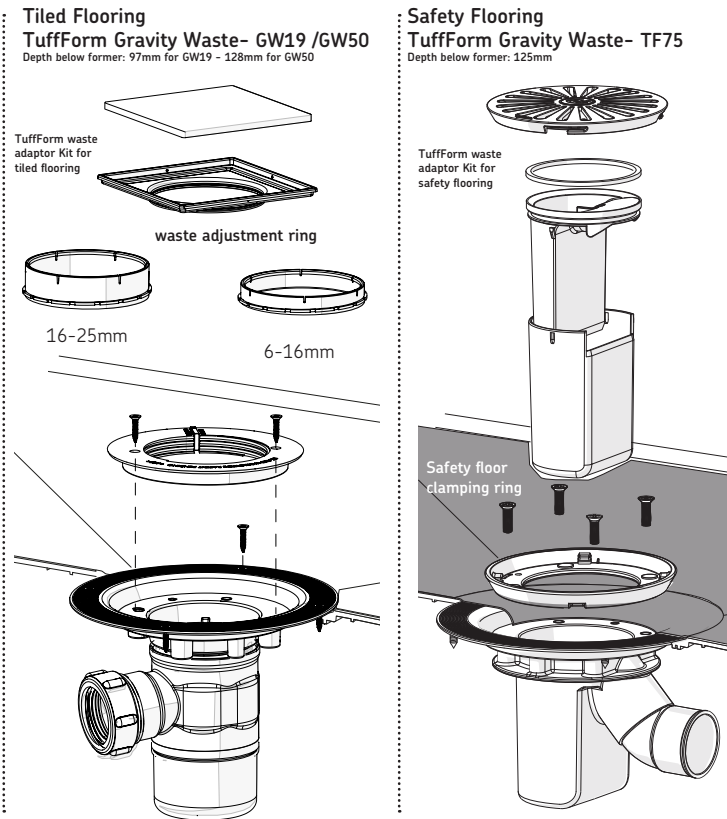
Step 13. Fix the waste adaptor to the former by drilling 2½ mm pilot holes. Ensure the screw heads are flush and do not protrude or they may cut into the wet floor drain gasket seal.

Note: Apply a fine bead of silicone around the underside rim of the adaptor before securing into place and clear away all excess adhesive and silicone sealant. See separate TuffForm waste adaptor installation instructions for further details to connect the waste to the former.

Wooden Floor Installation Instructions

Example of Waste Installation

Step 14

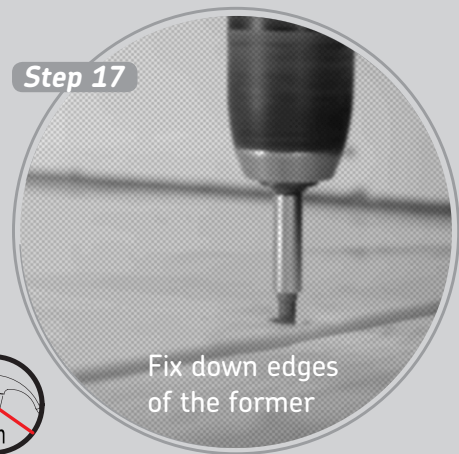
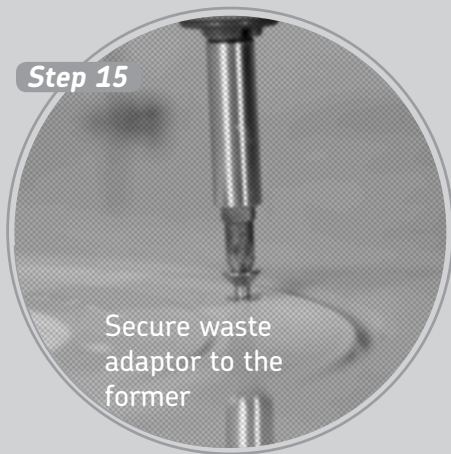


Step 14. Different types of waste can be used for tiled floors or safety flooring. Follow separate instructions.

Note: All types and sizes of tile thicknesses can be used if the threaded adjustment ring is adjusted to the desired height. Depending upon the thickness of the floor tiles to be used, change the threaded adjustment ring, large or small. (Large = 16-25mm (5/8"-1in) (Small = 6-16mm (1/4"-5/8" in).

Step 15. Fix the waste adaptor or clamping ring securely to the former and ensure all fixing holes are used and it is locked into position. Ensure the screw heads are flush and do not protrude or they may cut into the wet floor drain gasket seal or could damage the safety flooring. Fit the waste trap and waste drain cover securely and lock into position.

Step 16. Set levels - (Floor surface to TuffForm mounting surface is 22mm)
The edges of the former should be checked with a spirit level. If the surrounding floor is lower than the TuffForm, use a plywood sub-floor overlay ply to bring the surrounding floor levels up to the TuffForm. Ensure the fall is always to the waste outlet. If the surrounding floor is higher than the TuffForm, use plywood on all exposed joists and noggins to bring the former level to the surrounding floor levels. Foam should not be used as a load bearing support as it will break down under repeated product use.



Step 17. Fix down – only when the former is fully supported and level with the surrounding floor, apply an adhesive or mastic to all supporting surfaces and screw down the edges of the former onto the joists and noggins. Do not overtighten the screws. Additional countersunk screws can be added in any part of the former to remove any flexing should it occur. The screw-holes have moulded blanks which must be drilled out (5mm (1/4") dia) before fitting screws. Use a minimum of 2 or 3 screws per side – a large number of screw holes have been provided to assist locating the former – you do not have to use them all. Fill any unused screw holes with silicone sealant and ensure all the screw heads are flush with top face of former. Lightly abrade top surface of the former with a fine sandpaper and then wipe clean. This will allow for the tanking system or a safety flooring adhesive to achieve the best bond to the former. **Install a waterproof tanking system before adding tiles.** Continue to cover in a waterproof and thermally insulated barrier tanking system such as AKW FormSafe® or Mapei® waterproofing membrane tanking kit systems which has been specifically designed to work with all our formers when lightly braded. Always follow the separate instructions, ensuring each process is carried out according to the manufacturer's guidelines. The waste hole should be covered to protect it from any dirt or debris. **Allow 24hrs after tiling before showering.**

Important Safety Information

ALWAYS



Read these installation instructions carefully before installing this product and leave with the end user for future reference.

ALWAYS



Have the former installed by a trained and experienced installer.

ALWAYS



Support the waste area with additional joists/noggins 110mm from the centre of the waste.

ALWAYS



Evenly support the edges of the former when installing into the floor. Weight must be evenly spread across the former.

NEVER

Exceed the spreadable weight capacity of 60 stone (381Kg) on a finished tiled floor.



NEVER



Do not stand on the shower former before the former has finally set/cured and finished with tiles. This will effect the fall of the water drainage to the shower waste.

Caution



Check for electric cables and water pipework before cutting into floor boards or drilling into surfaces.

Beware

A pinch hazard may be present around the edges during installation.

Technical Help line
01905 560219

Orderline
01905 823299

General Enquiries
01905 823298

Fax
01905 823297

Website
www.akw-ltd.co.uk

Quotes & orders email
orders@akw-ltd.co.uk

Enquiries email
sales@akw-ltd.co.uk
technicalenquiries@akw-ltd.co.uk

Post
AKW, Pointon Way,
Hampton Lovett,
Droitwich Spa,
WR9 0LR



For the latest AKW product news scan this QR code with your device.

*Guarantee Not covered by any warranty



The guarantee applies only to manufacturing or material defects and does not apply to normal wear and tear, inappropriate use or accidental damage. This does not cover damage or defects that result from incorrect installation, improper use, accidental damage or lack of maintenance including the build up of grime, dirt or lime-scale and water-borne debris or damage from weight over loading. Damage resulting from inappropriate cleaning or water ingress. Damage or defects that result from repairs, modifications undertaken by unauthorised persons who are not maintenance engineers.

What to do if something goes wrong?

In the unlikely event that you should encounter a problem with this product, please contact your local installer and if this does not resolve the issue then contact AKW technical team who will provide further advice and if necessary arrange for a maintenance engineer to visit and report any issues. As part of our quality and training program calls may be monitored or recorded. None of the foregoing affects your statutory rights.

These instructions are provided to advise the minimum standards of installation and recommends what is the best practice for the installation. Due to the very wide variability of possible installation conditions AKW cannot provide all circumstances for the installation. AKW cannot accept any liability in connection with this information or its use. This information is provided on the condition that the person receiving it shall make their own tests to determine the suitability for their particular purpose. Failure to install this AKW product in accordance with supplied instructions or the making of unauthorised modifications will invalidate any warranty and may affect product safety. None of the foregoing affects your statutory rights.

Check out our full range of Shower Enclosures

Quadrant Shower Enclosures

Corner Entry Shower Enclosures

Walk in Shower Enclosures

Sliding Shower Doors

Bifold Shower Doors

Pivot Shower Doors

Hinged Shower Doors

Shower Screens

From Top Brands

Coram Shower Enclosures

Mira Shower Enclosures

Hydrolux Shower Enclosures

Diamond Shower Enclosures

With quality shower trays to match your enclosure

Square Shower Trays

Rectangular Shower Trays

Quadrant Shower Trays

Coram Shower Trays

Mira Flight Shower Trays

plumbworld
Big brands, small prices.