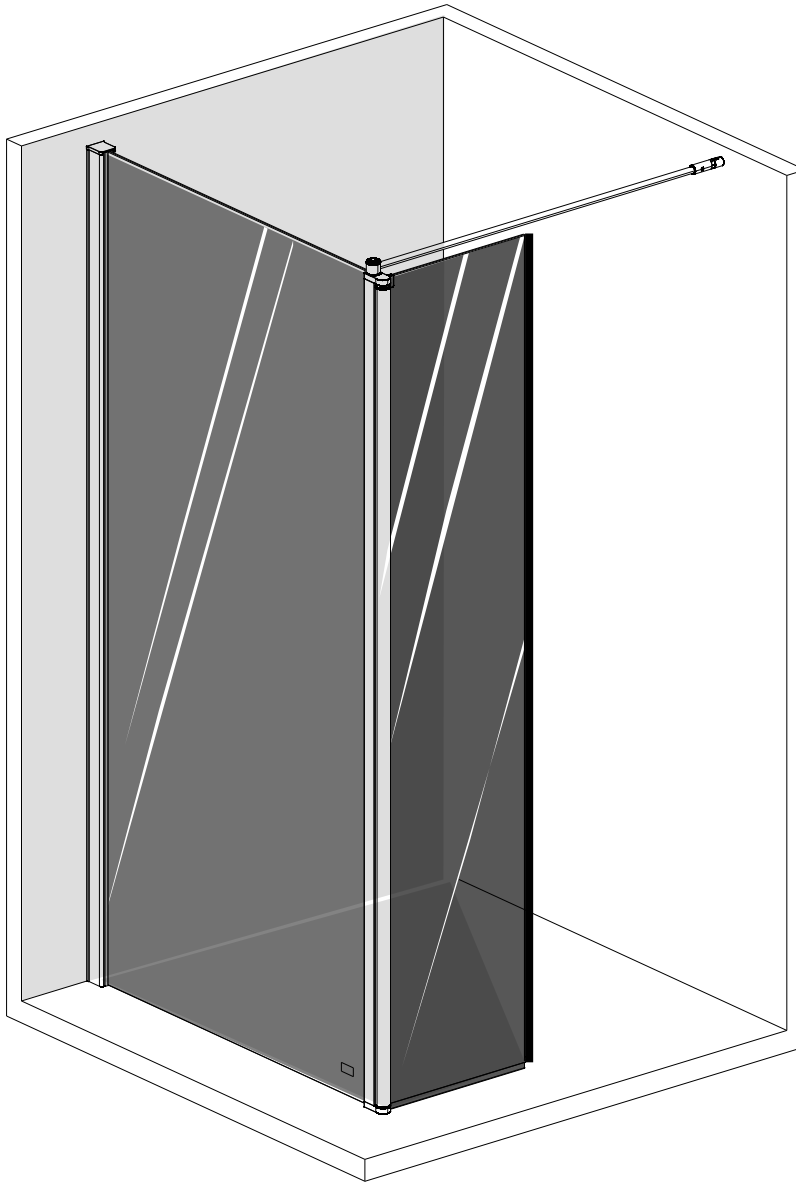


Level Best *Shower Screen Enclosures*



**Suitable for
shower trays
and wet floors**

Level Best Deflector Screen installation and user care instructions

Installer- please read all instructions carefully before installation and leave these instructions with the end user for future reference as this document contains important warranty information.

AKW[®]
life. style. choice.

Do not discard this document as it contains important warranty information.



Read all the instructions carefully and leave the instructions with the end user.



The product is heavy up to (50kg Max). Get someone to help to lift, assemble and install it.


Before you start work:




Check for hidden cables or pipes before drilling into a wall.


Caution:


 **Always start with the wall profile and align the enclosure into position checking the area is suitable before marking out and fixing.**

 Always wear safety glasses when you use power tools and use the appropriate personal protection equipment.

 If you have to drill holes into ceramic tiles, stick a piece of masking tape to the tile to stop the drill bit from slipping and damaging the tile. Do not use your drill on hammer action if you are drilling holes into ceramic tiles.


 Always disconnect power tools from the electrical supply when you have finished working with them.

 Make sure any electrical cables do not cause a trip hazard.


 Take care when you handle the profiles. They may have sharp edges.


Follow the manufacturer's safety instructions when you use any silicone sealant or degreasing agent.

When you unpack the product:


 Take care when you unpack the product and make sure that you do not inadvertently discard any small parts. If any parts are missing or damaged contact the AKW customer services.


Before you start work:


 Check the shower tray or wet-floor is level and is completely sealed to finished or tiled walls.


 Check that finished walls are sound and free from cracks or loose tiles or grout.


While you work:

 Make sure that all surfaces are clean, dry and free from loose debris or dust.


 Protect the surfaces of the shower tray and cover the waste to prevent the loss of small components and prevent debris from entering the waste trap.

 Make sure that you follow the manufacturer's instructions to degrease any surfaces that you need to silicon.

 Use the external packaging to protect the floor and wall when you assemble the product.

 To check the accuracy of your spirit level place it on a horizontal surface and note the bubble position between the markers. Rotate the spirit level through 180° and note the bubble position again. Ensure the markers are level. Repeat the test vertically.

After installation:

 Do not wet the enclosure for 24 hours to ensure that the silicone sealant is fully cured.

Contents

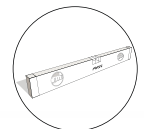
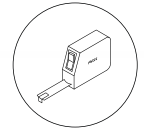
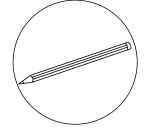
Tools required

Preparation

Pages

Steps 1
Wall profile installation

4-5

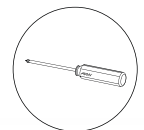


Preparation & Planning

Pages

Steps 2
Post block footplate installation

6-8

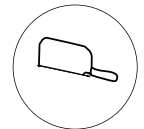


Installation

Pages

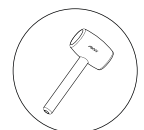
Steps 3
Installing the fixed panel

9



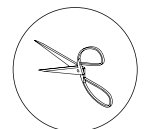
Step 4
Installing the deflector screen

10-11



Step 5
Installing the wall tie bar

12-13



Final Installation

Pages

Securing & fixing
Sealing the enclosure & aftercare

14

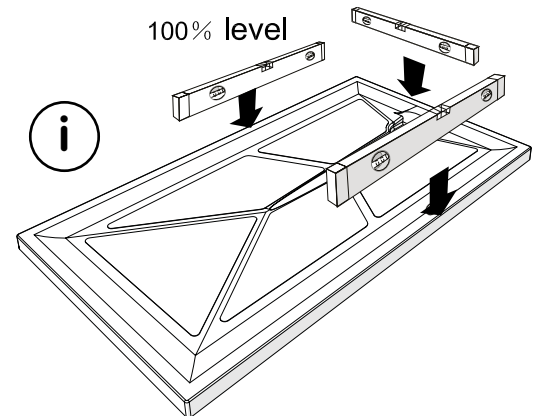
15



Ø6 Ø2.8

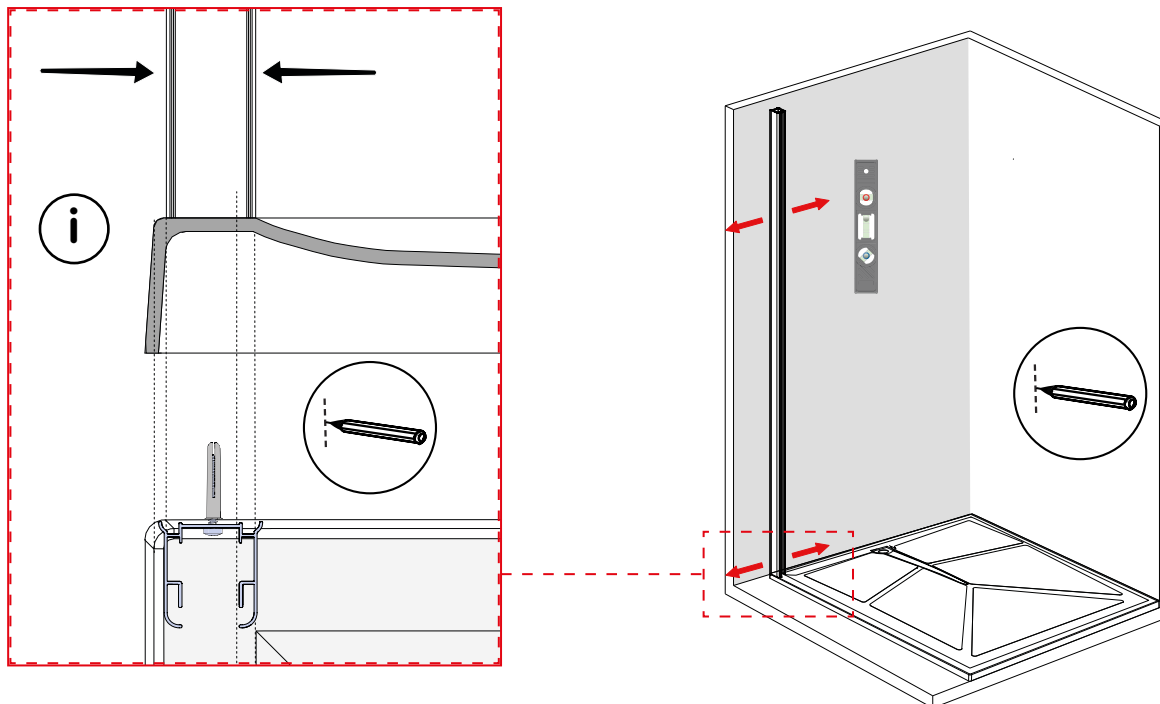
Step 1 Preparation

- Check pack contents
- Check tray is completely level
- Cover waste
- Protect tray



Tray installation must be completely 100% level in all directions and sealed to the wall. Wet room preparation must be completed before starting any work and the screen area must be clean and dust free.

- i Install the enclosure on the inside edge of the flat portion of the tray. Avoid installing over the edge radius as this will cause leakage. ✓

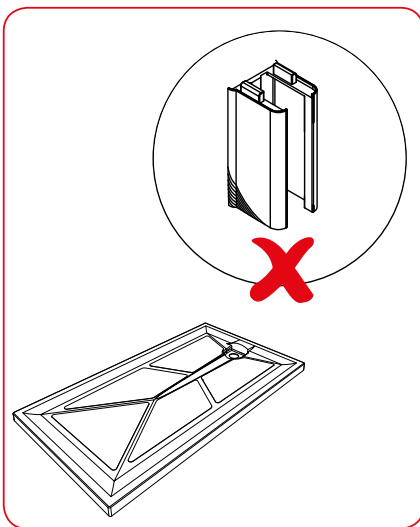


Wall profile installation

Ensure the wall surface is finished, level and capable of supporting the screen. Drill the wall through the centre of the slots with a 6mm tile or wall masonry drill bit and insert wall plugs.

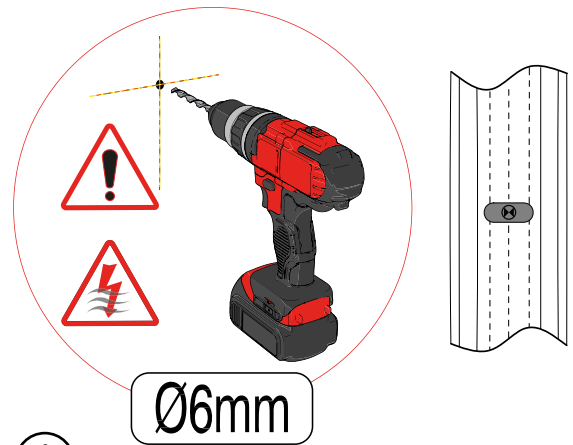
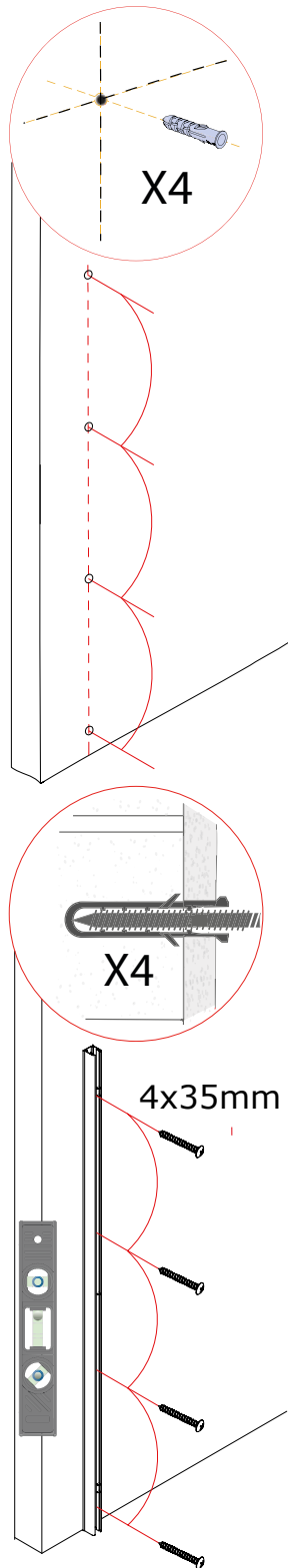
TIP

Use masking tape to drill on tiled surfaces.

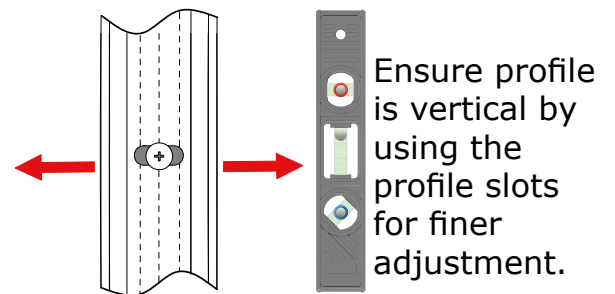


TIP

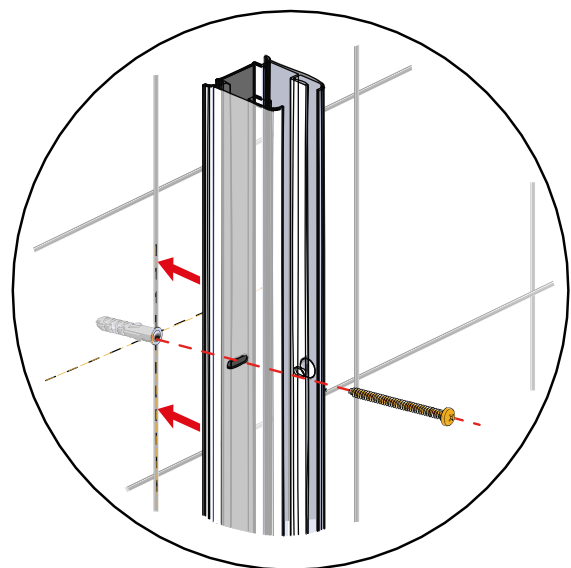
Do not silicone between the wall profile and the wall as further adjustment may be required. Only seal the entire enclosure after installation. See page 15



WARNING - Ensure there are no buried pipes or cables before drilling.



WARNING - Ensure the fixing holes are to the inside of the enclosure.

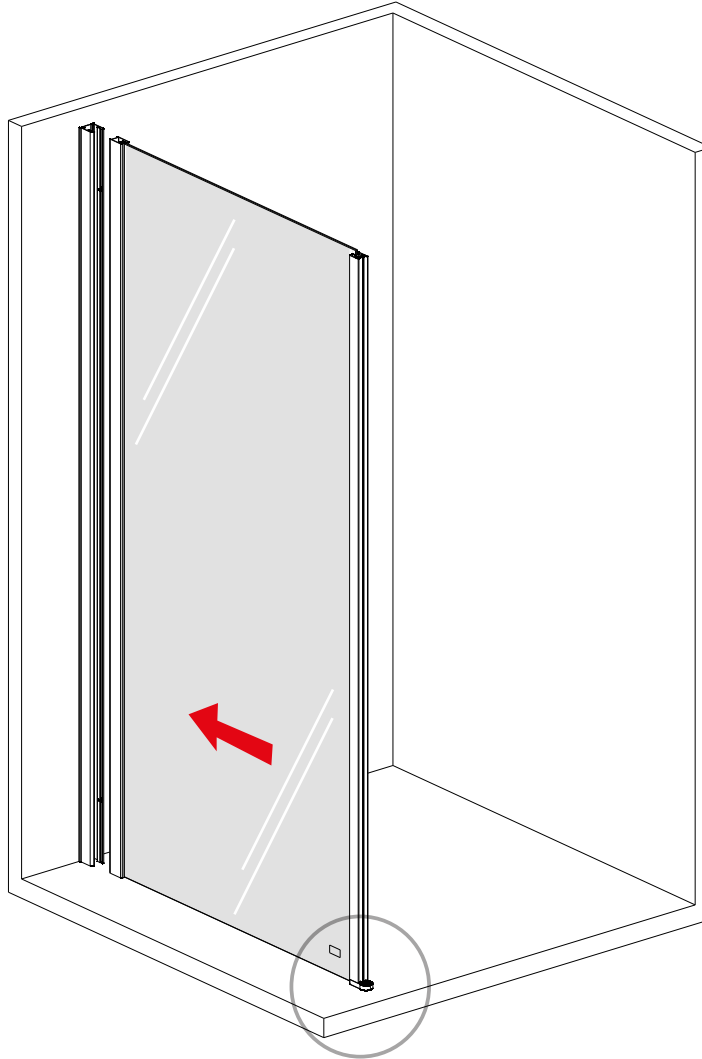


Step 2

Alignment

Fixed Panels use a support post block footplate and wall support post to allow the deflector screen to hinge like a door.

IMPORTANT: The post block must be installed before the deflector screen is assembled.



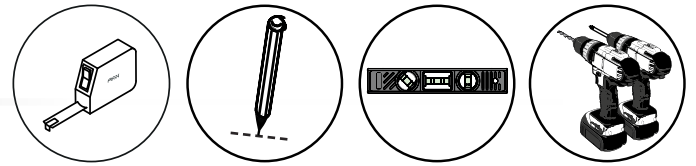
TIP

Install the post block footplate onto the tray or floor before installing the fixed panel or deflector screen. Continue to mark out the footplate.

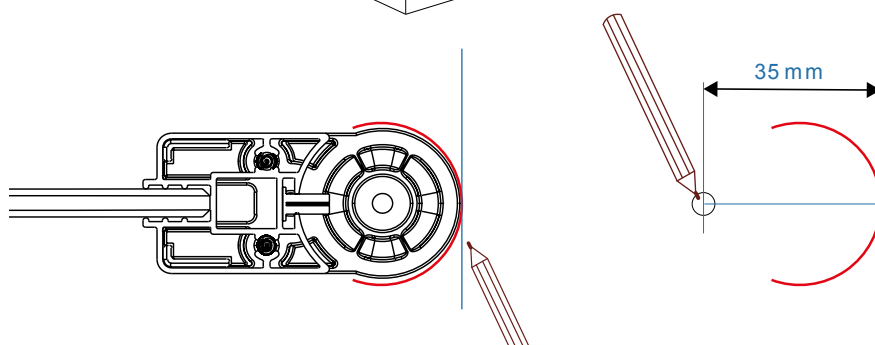
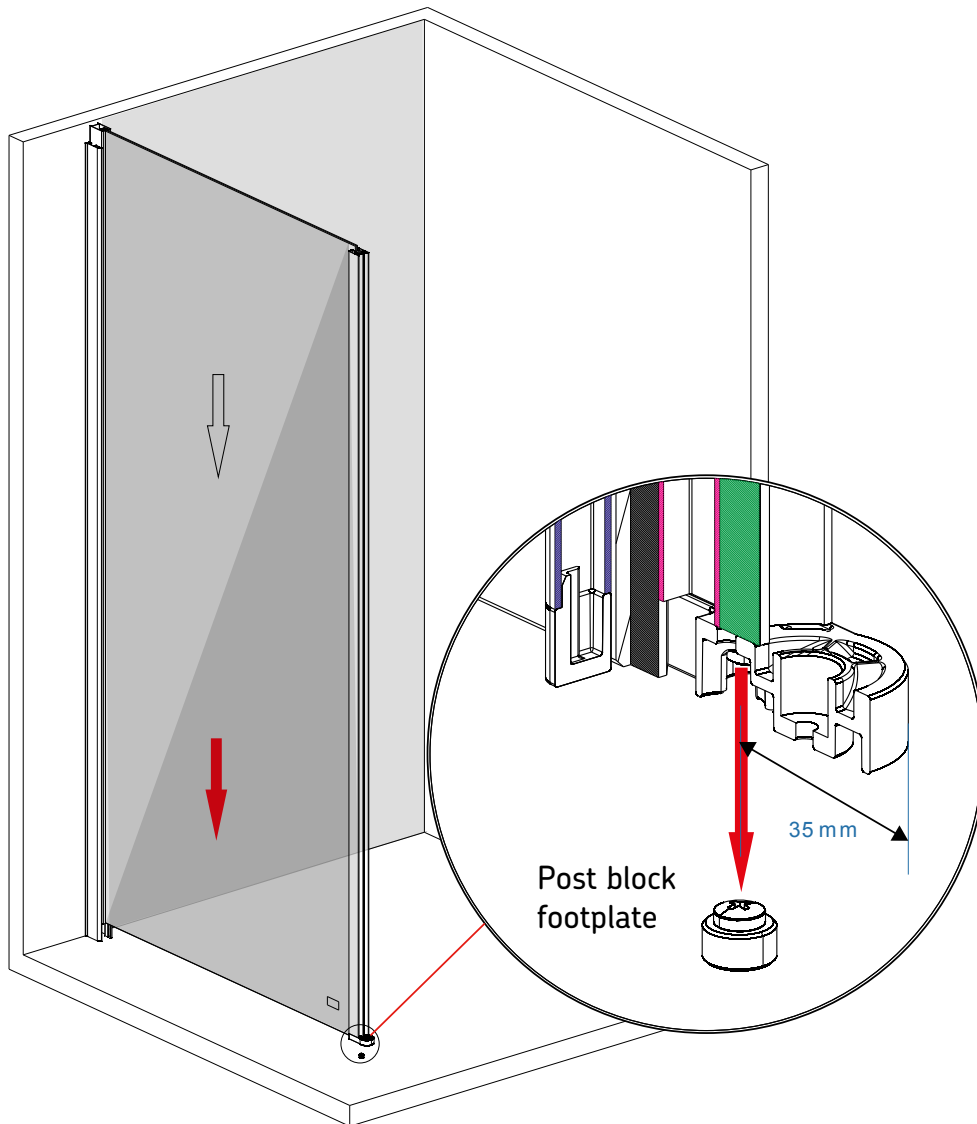
Wall Profile

Panel





Align the fixed panel into the wall compensator. Ensure the screen is level and at 90 degrees from the wall before marking the floor with a pencil around the bottom hinge.

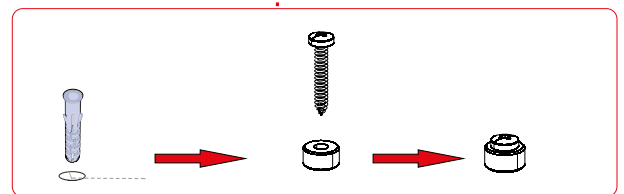
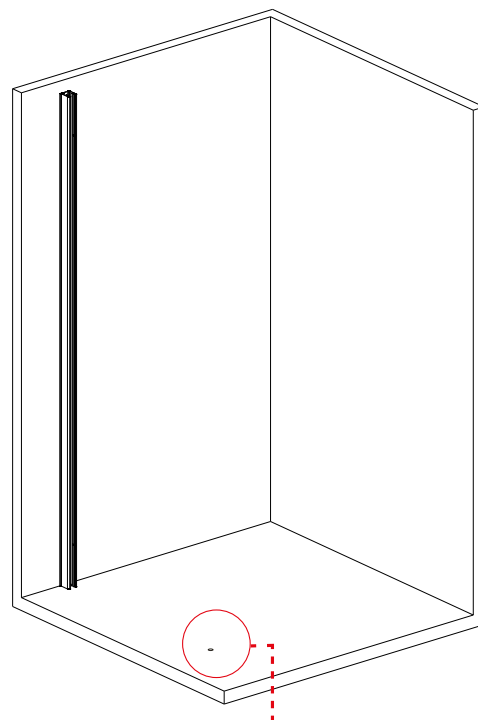
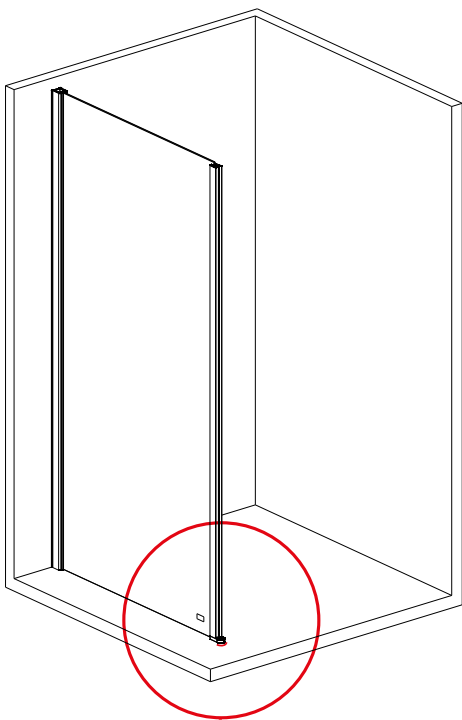


Fitting of the post block footplate will be approx 35mm from the front edge of the bottom hinge.

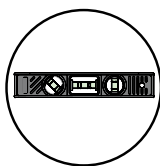
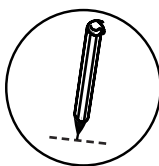
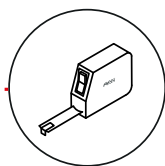
Mark the centre of the footplate

Install bottom post block foot-plate

Remove the screen to install the footplate. Drill both footplate and bottom hinge holes and secure the footplate into position. Realign and secure the deflector screen into position.



Footplate

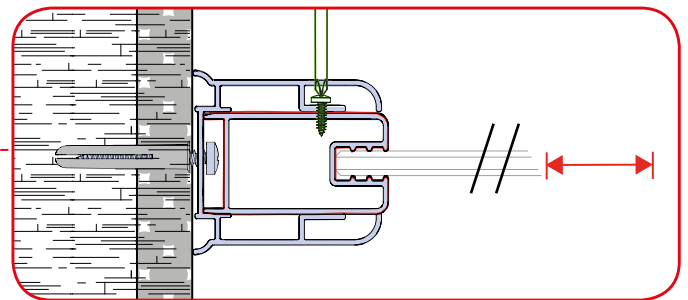
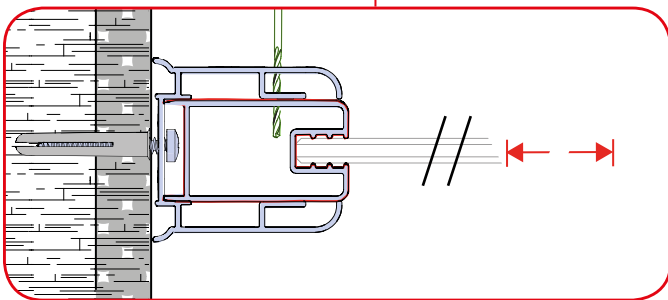
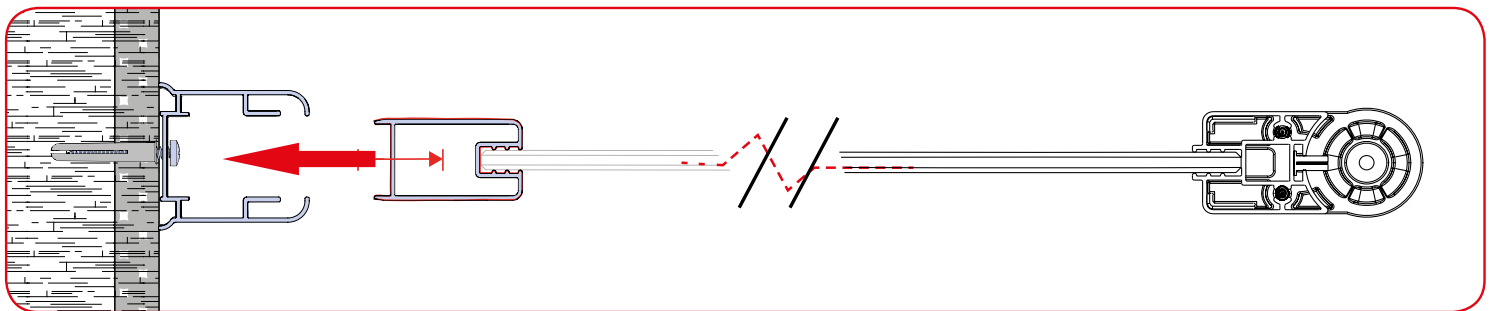


Step 3

Install Fixed Panel

Installation

When the panel is aligned into wall profile and on the footplate post block, drill through the slot holes at its longest position and hold the panel in place with the 4x10mm screws.
Note: Only secure the secondary fixing holes in the final installation steps.



①

∅ 2.8mm

Measure the panel width and drill through adjusting slot hole at its longest position.

②

Do not drill the secondary holes just yet, these are for final securing.

③

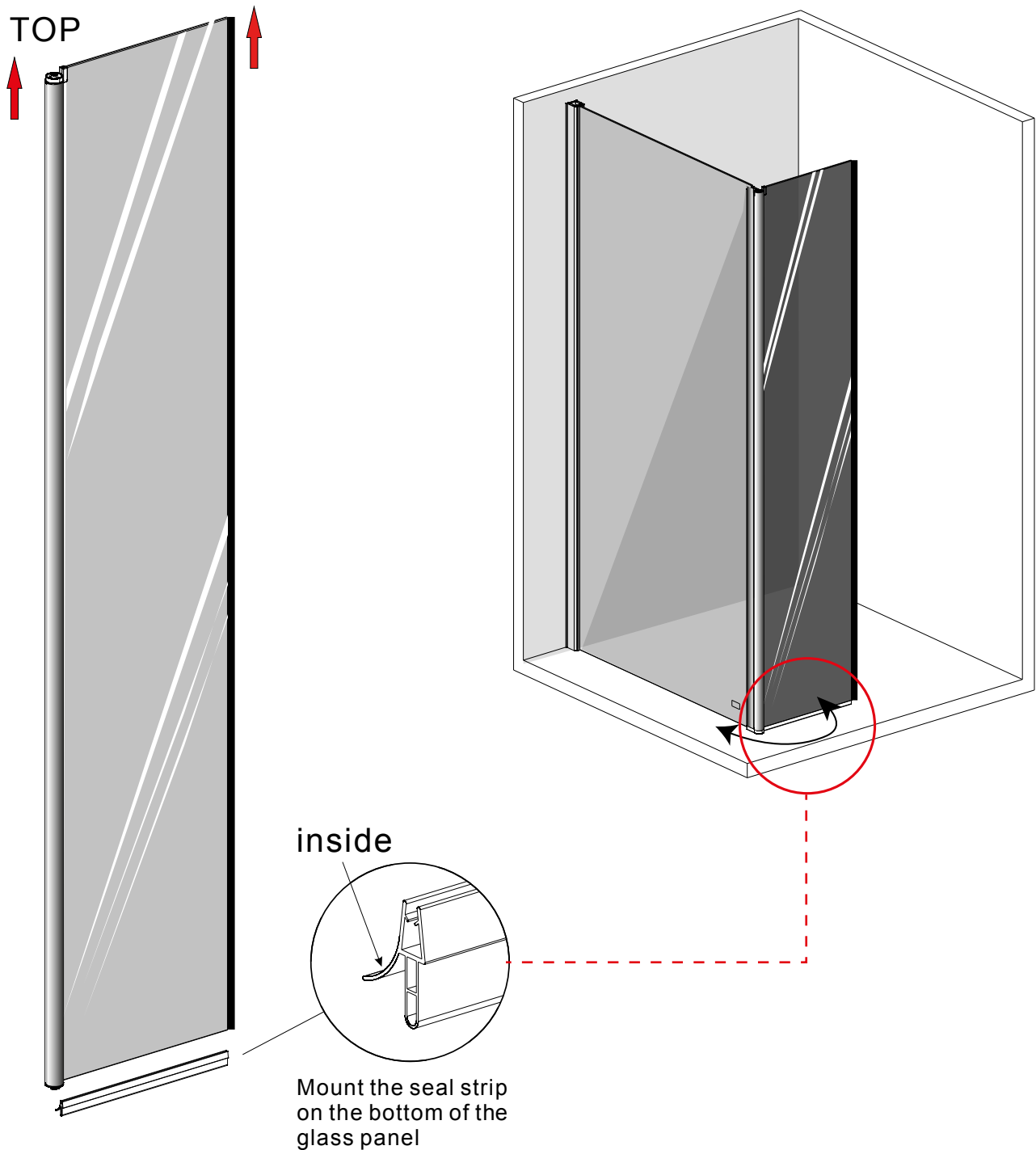
Align the panel and screw through adjusting slot holes to temporarily hold door in place.

Step 4

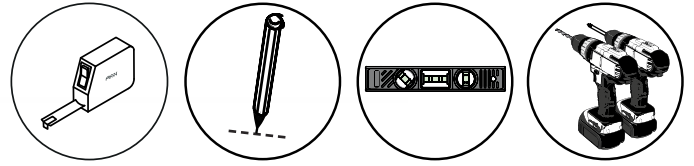
Installation

Installing the deflector screen

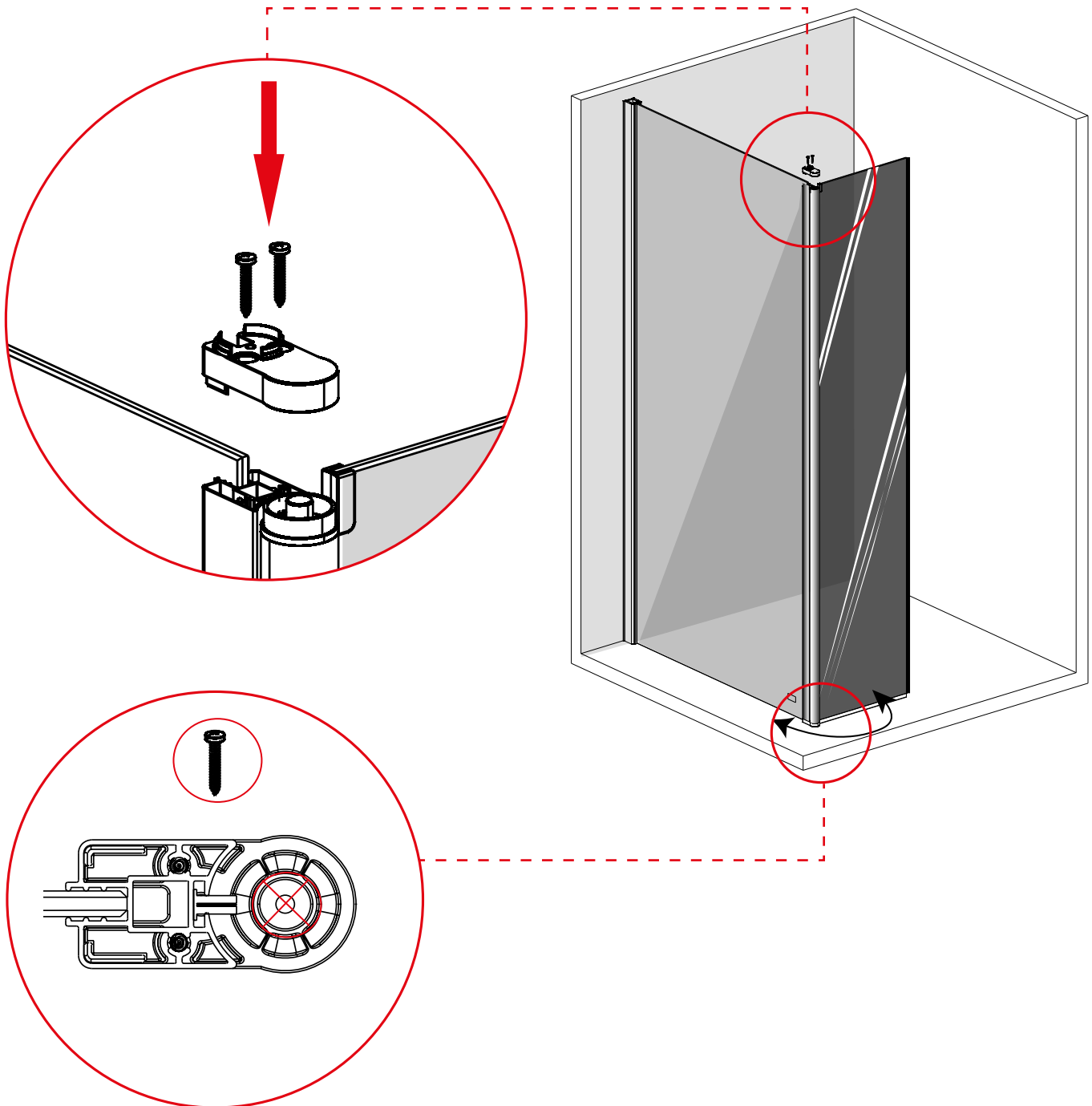
Attach the bottom seal strip to the inside edge of the enclosure.



Installing the deflector screen



Ensure the bottom hinge is secured to the floor or tray.
Attach the deflector screen onto the fixed panel hinges.
Secure the top hinge bracket cover.



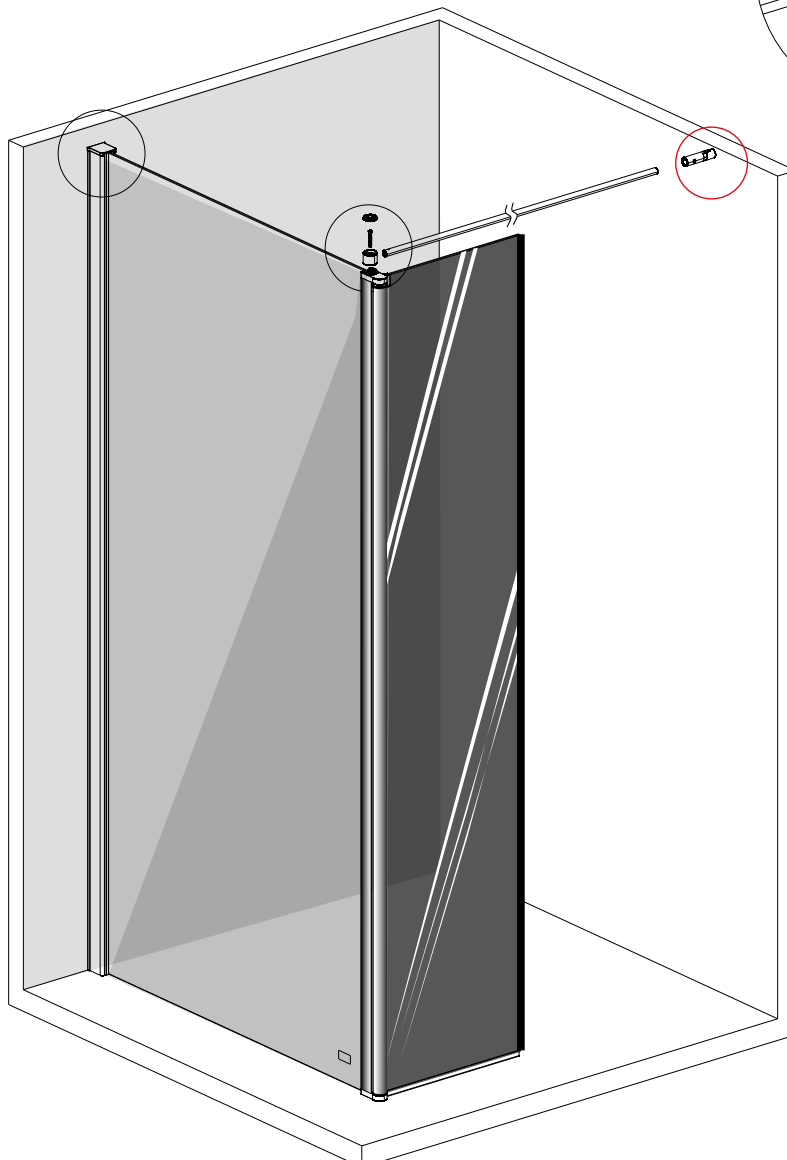
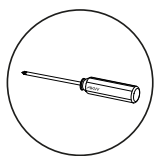
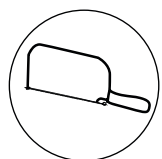
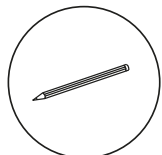
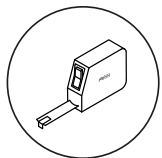
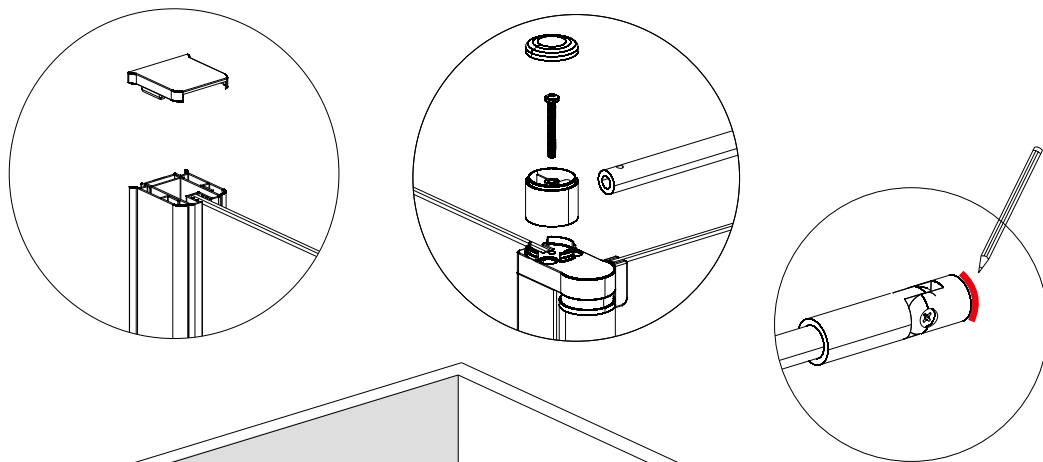
Step 5

Installation

Tie bar wall bracket installation

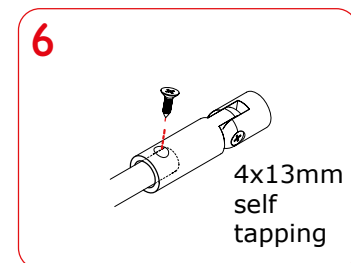
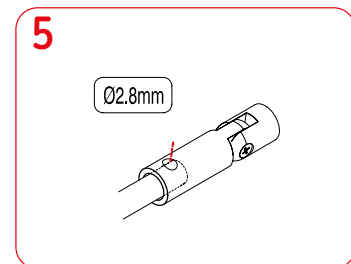
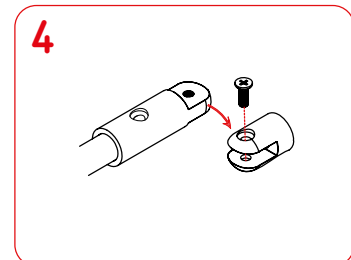
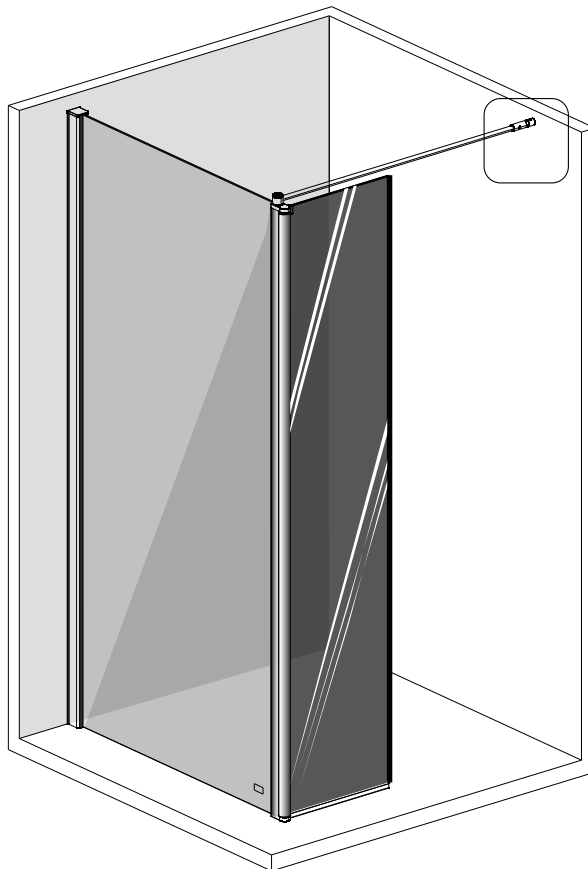
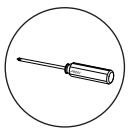
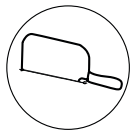
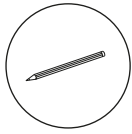
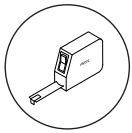
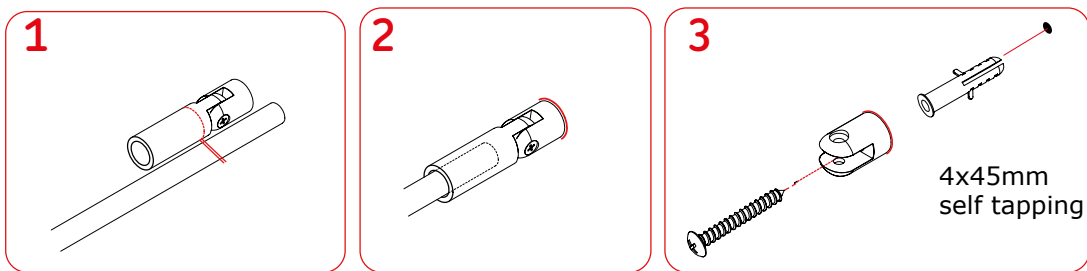
Mark out the position of tie bar bracket on the wall, make sure it is level and at 90 degrees to the screen face.

Attach the tie bar mounting assembly to the top of the deflector screen.



Tie bar wall bracket installation

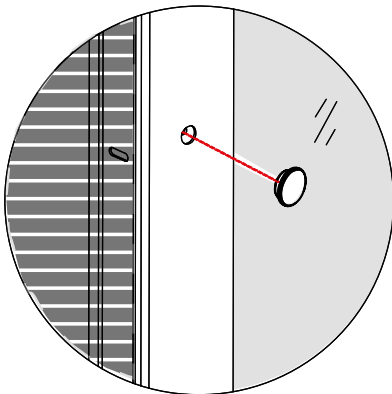
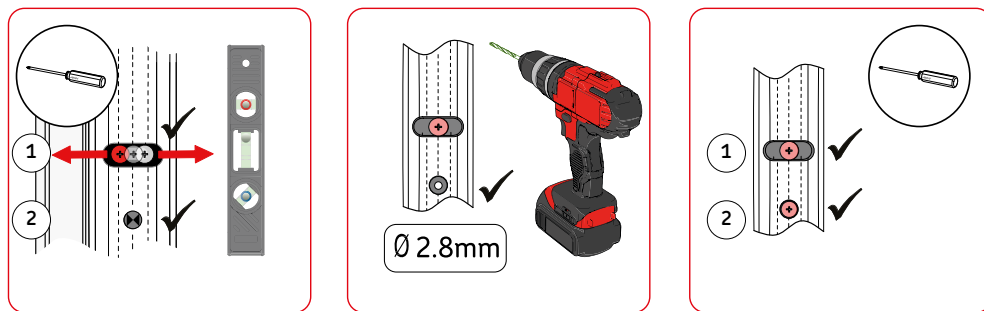
Dismantle the tie bar, drill and fix the tie bar bracket to the wall using a wall plug and 4x35mm screw. Secure the tie bar bracket to the wall. Re-attach the tie bar socket to the wall bracket. Measure the distance between pivot fixing and the tie bar socket and cut tie bar to length.



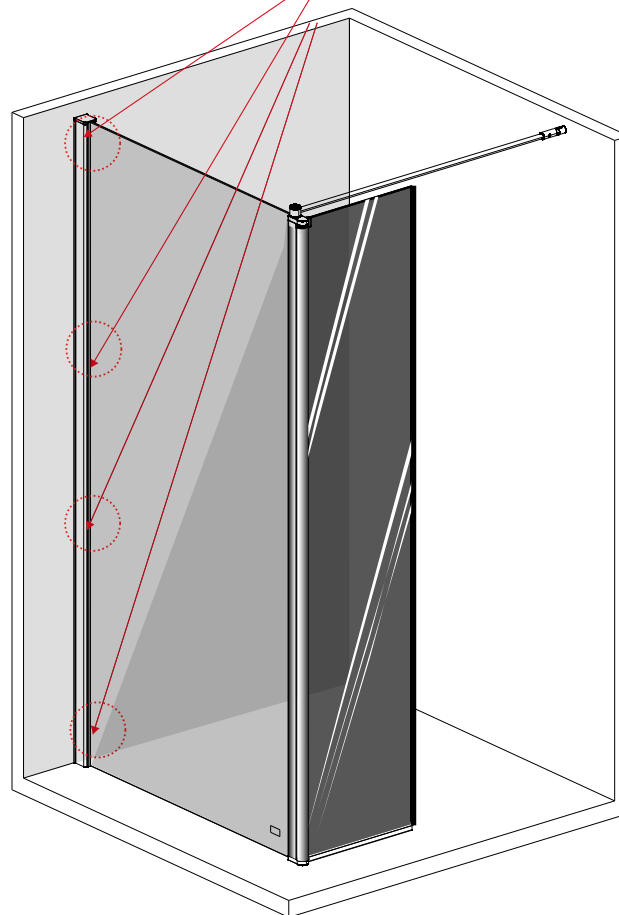
Insert the tie bar into the tie bar socket. Drill a hole through the tie bar socket into the tie bar for the locking screw. Secure the tie bar into the socket with the self tapping 4x13mm screw.

Secure panels to the wall profile

- 1 Align the panel and deflector screen and ensure these are level and inline before drilling into final position.
- 2 From the inside using a 2.8mm metal drill bit, drill through the wall profile into secondary fixing holes into the panel. Secure the panel into its final position using the 4x10 screws. Do not over tighten screws.

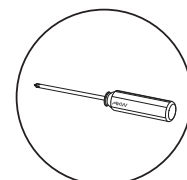


i Screw cap covers



i Clip on profile and panel cover caps

Finally check the levels and operation.



Sealing Shower Enclosure

Use a quality silicone sealant and applicator gun to the finished enclosure.

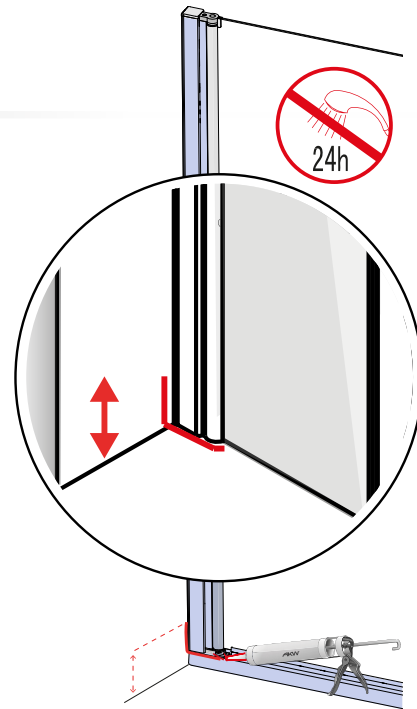
Sealing internally

Seal all vertical joints between profile and wall. Do not seal horizontally.

Sealing externally

Seal horizontally along the wall profile and vertically 50mm up the wall.

Allow 24hrs to dry after sealing.
Do Not use the shower enclosure until it is sealed as instructed.



Aftercare Instructions



This glass screen is coated with a Stayclear® Protection System.

Stayclear is an effective protection that makes shower glass easy to clean and keep clean. It resists staining and maintains the hygienic environment and visual appeal much longer than unprotected glass. It is especially formulated for use on Stayclear® glass and ceramics and is also effective on most metal and plastic surfaces. Stayclear Glass requires cleaning less than half as often as ordinary glass. We recommend halving your current cleaning regime and either increase or decrease it as required. To optimise the performance and durability of the unique protection, we recommend the following basic maintenance programme:

- Regularly rinse off soap and water deposits and dry the surface using a squeegee or cloth if required.
- Clean glass panels weekly (depending on usage and hardness of water).
- Alternatively, clean the panel with a non-abrasive daily cleaner and rinse with copious amounts of water and wipe dry with a soft non-abrasive cloth.

Do not use abrasive products, cloths, strong or concentrated acidic, alkaline, chlorine or other abrasive cleaning materials as these may discolour or otherwise damage the product and will invalidate any warranty.

Do not place matches, cigarettes or naked flames on or near Larenco.

Note: The durability of the Stayclear® protection may be affected by the frequency of use of the shower, hardness of the water and the type of cleaning compounds and methods used. Such matters are outside the control of the manufacturer.

Warranty information



Glass Screens are covered by a life time guarantee.

* The guarantee applies only to manufacturing or material defects and does not apply to:

- Normal wear and tear, inappropriate use or accidental damage.
- Damage or defects that result from incorrect installation, improper use, accidental damage or lack of maintenance including the build up of grime, dirt or lime-scale and water-borne debris.
- Damage resulting from inappropriate cleaning or water ingress.
- Damage or defects that result from repairs, modifications undertaken by unauthorised persons who are not installers or service engineers.

AKW products should be installed by an experienced and competent installer or trades persons using appropriate fixings suitable for the condition of the surfaces on which the product is to be attached.

The selection of any specific fixings must be made by the installer based upon the requirements for each individual installation.

If you do not install AKW product in accordance with the supplied instructions or if you carry out any unauthorised modifications to this product then you will affect product safety and invalidate this guarantee.

For further information latest AKW product news please visit our website or scan this QR code with your device.



Orderline

+44 (0) 1905 823299

General Enquiries

+44 (0) 1905 823298

Technical Help line

+44 (0) 1905 560219

Fax

+44 (0) 1905 823297

Website

www.akw-ltd.co.uk

Quotes & orders email

orders@akw-ltd.co.uk

Enquiries email

sales@akw-ltd.co.uk
technicalenquiries@akw-ltd.co.uk

Postal address

AKW, Pointon Way,
Hampton Lovett,
Droitwich Spa,
WR9 0LR

What to do if something goes wrong?

In the unlikely event that you should encounter a problem with this product, please contact your local installer and if this does not resolve the issue then contact AKW technical team who will provide further advice and if necessary arrange for a maintenance engineers to visit and report any issues. As part of our quality and training programme calls may be monitored or recorded. None of the foregoing affects your statutory rights.

These instructions are provided to advise the minimum standards of installation and recommends what is the best practice for the installation. Due to the very wide variability of possible installation conditions AKW cannot provide all circumstances for the installation. AKW cannot accept any liability in connection with this information or its use. This information is provided on the condition that the person receiving it shall make their own tests to determine the suitability for their particular purpose. Failure to install this AKW product in accordance with supplied instructions or the making of unauthorised modifications will invalidate any warranty and may affect product safety. None of the foregoing affects your statutory rights.