



INSTRUCTION MANUAL

70lbs (31.7kgs) HEAVY DUTY PUSH SPREADER

Model No: THS70HDUTY -- Product No: 1938151001

ASSEMBLY REQUIRED

SAVE THESE INSTRUCTIONS

SPARES & SUPPORT: 01793 333212

Please read & understand this manual, paying attention to the safety instructions, before use.
The manufacturer reserves the right to change the product specification and livery according to
continued product improvements.

Images used are for illustration purposes only

12/07/2017

CONTENTS

SPECIFICATION

IMPORTANT INFORMATION

GENERAL SAFETY INSTRUCTIONS

COMPONENTS

ASSEMBLY

ADJUSTMENTS

OPERATION

MAINTENANCE

STORAGE

PARTS DIAGRAM

PARTS LIST

WARRANTY

ASSEMBLY IS REQUIRED

This product requires assembly before use. See the "Assembly" section for instructions. Please check that all parts required for the assembly of this spreader are included. If for any reason you believe a part for the assembly is missing or damaged, please contact us.

If you require any assistance with regards to the contents or operation of your machine, please contact us:

TEL: 01793 333212

**EMAIL: customerservice@handydistribution.co.uk
(MON – FRI 8.00AM TO 5.30PM EXCL. BANK HOLIDAYS)**

DO NOT USE WITH ROCK SALT.

Using rock salt in this spreader will damage the mechanism and shorten the life of the product. Refined ice melting salt can be used but the user should be aware that this is not a specialised salt spreader and using salt may corrode the spreader and reduce the life of the machine.
Clean the spreader thoroughly after using refined de-icing salt.

SPECIFICATION

The manufacturer reserves the right to change the product specification and livery according to continued product improvements.

Model	THS70HDUTY
Product Number	1938151001
Capacity (Weight)	70lbs (31.7kg)
Capacity (Litres)	26
Hopper Material	Polypropylene
Hopper Dimensions	51.7 x 39 x 28cm
Spread Width	304 – 366cm
Gears	Metal
Tyre	10x4.10/3.50-4
Tyre Rating	2 Ply
Tyre Maximum PSI	20psi (Do not exceed)
Product Weight	N.W. 10.9kg – G.W. 12.8kg

IMPORTANT INFORMATION

INTENDED USE

The product is intended for spreading granular material for domestic gardens. This push spreader is designed to spread a wide range of materials (Fertiliser, Grass Seed and Ice melt). Materials such as Powders, Manure, Top Soil, Gravel, and Mulch have the wrong physical characteristics and should not be used with this spreader. Never exceed the rated load capacity of 70lbs (31.7kg) when operating the spreader.

Your spreader needs to be pushed at three miles per hour, which is a brisk walking speed. Slower or faster speeds will change the spread patterns. Wet spreading material will also change the spread pattern and flow rate. Clean your spreader thoroughly after each use. Wash between the shut off plate and bottom of the hopper.

This product is not intended for commercial use. Generally acknowledged accident prevention regulations and enclosed safety instructions must be observed.

Only perform work described in these instructions for use, any other use is incorrect. The manufacturer will not assume responsibility for damage resulting from such use.

GENERAL SAFETY INSTRUCTIONS

Read and understand the owner's manual and labels affixed to the product. Learn its application and limitations as well as the specific potential hazards. Retain these instructions for future reference. The operator is responsible for following the warnings & instructions in this manual and on the product.

STAY ALERT

Do not operate the machine while under the influence of drugs, alcohol, or any medication that could affect your ability to use it properly. Do not use this machine when you are tired or distracted from the job at hand. Be aware of what you are doing at all times. Use common sense.

AVOID DANGEROUS CONDITIONS

Make sure there is adequate surrounding workspace. Cluttered areas invite injuries. Keep your work area clean with sufficient light. Keep the area around the machine clear of obstructions, grease, oil, rubbish & other debris which could cause persons to fall onto moving parts.

INSPECT YOUR MACHINE

Check all bolts, nuts & screws for tightness before each use, especially those securing guards & drive mechanisms. Vibration during use, may cause these to loosen.

Replace damaged, missing or failed parts before using.

Warning labels carry important information. Replace any missing or damaged warning labels.

CRUSH AND CUT HAZARDS

Always keep your hands and feet clear from moving parts while operating the equipment.

Always keep the work area clean and clear when operating.

DRESS PROPERLY

Do not wear loose clothing or jewellery (rings, wrist watches), which can be caught in moving parts.

CONDITIONS

We recommend the machine is not used during winds. This may affect the spreading pattern.

DO NOT OVERREACH

Keep proper footing and balance. Never stand on the machine. Serious injury could occur if the machine is tipped or if the moving parts are unintentionally contacted. Do not store anything above or near the machine, where anyone might stand on the machine to reach them.

AVOID INJURY FROM UNEXPECTED ACCIDENT

Keep hands & feet out of the way of all moving parts. Do not place any part of your body or any tool e.g. in moving parts of the machine during operation.

DO NOT FORCE TOOL

Always work within the rated capacity. Do not operate for a purpose for which it was not intended.

MAINTAIN YOUR MACHINE WITH CARE

Clean the machine immediately after use. Keep the machine clean to ensure it operates to its full & safest performance. When maintaining this machine, only the manufacturer's original replacement parts should be used. The use of non-original manufacturer parts may invalidate your warranty.

PROTECT THE ENVIRONMENT

Take left over materials to an authorised collection point or follow the stipulations in the country where the machine is used. Do not discharge into drains, soil or water.

STORE IDLE EQUIPMENT

When not in use, the machine should be stored in a dry location. Keep the machine away from children and others not qualified to use it.

OPERATION SPEED

Do not exceed 10mph, to avoid personal injury and/or equipment damage.

TYRE INFLATION

Before operating, make sure the tyres have the recommended pressure of 20 PSI (**Do not exceed 20 PSI**). We recommend the use of **FOOT or HAND** inflation devices only. Do not use electric or mechanical inflation devices. This is a garden/domestic product, therefore extended use over abrasive surfaces (e.g. concrete, tarmac etc.) could cause premature wear on the tyres.

SAFETY SYMBOLS



Safety alert symbol. Used to alert you to potential personal injury hazards. Obey all safety messages that follow this symbol to avoid possible injury.



DANGER

Indicates an imminently hazardous situation which, if not avoided, will result in serious injury.



WARNING

Indicates a potentially hazardous situation which, if not avoided, could result in serious injury.



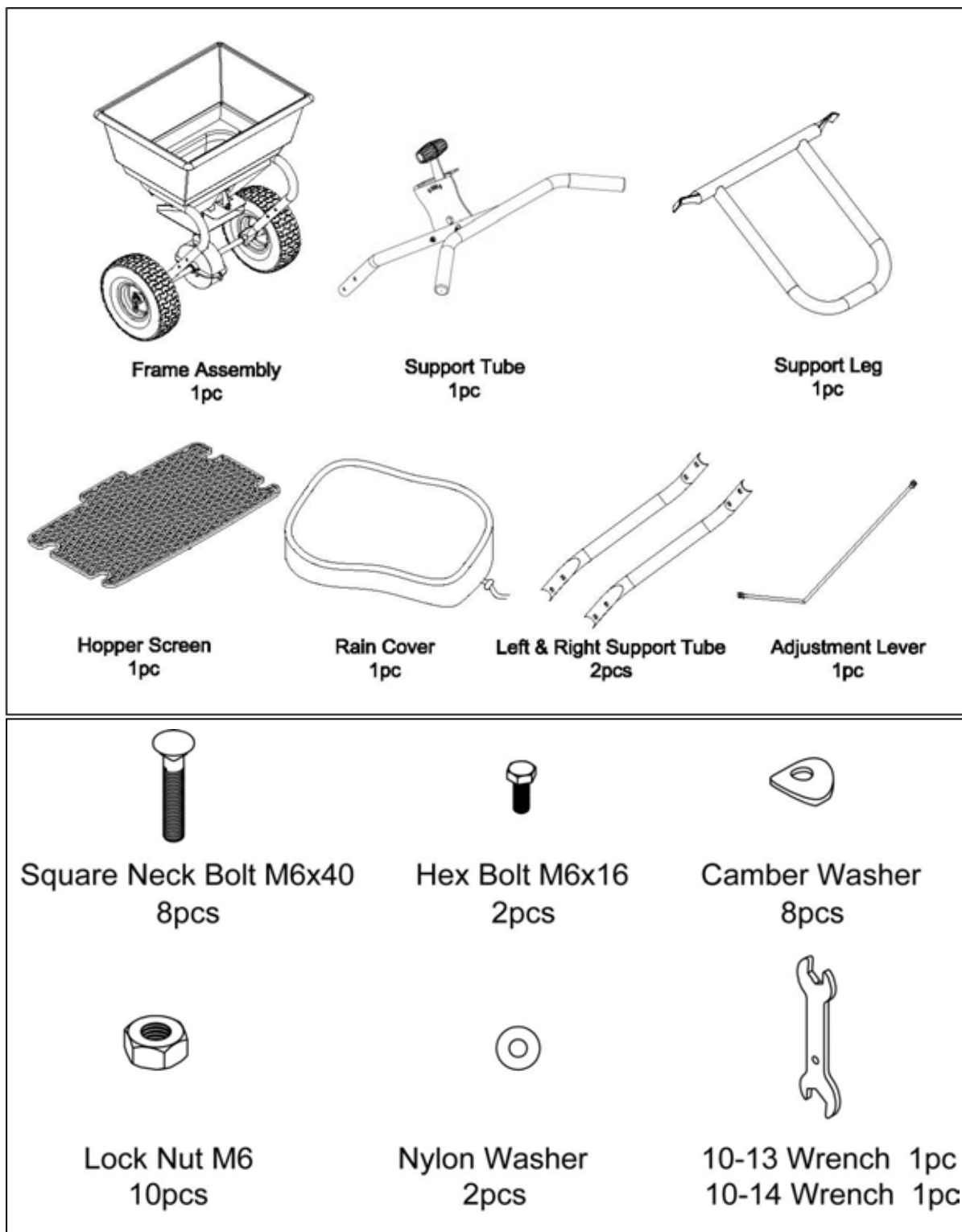
CAUTION

Indicates a potentially hazardous situation which, if not avoided, may result in minor or moderate injury.

CAUTION

Used without the safety alert symbol indicates a potentially hazardous situation which, if not avoided, may result in property damage.

COMPONENTS



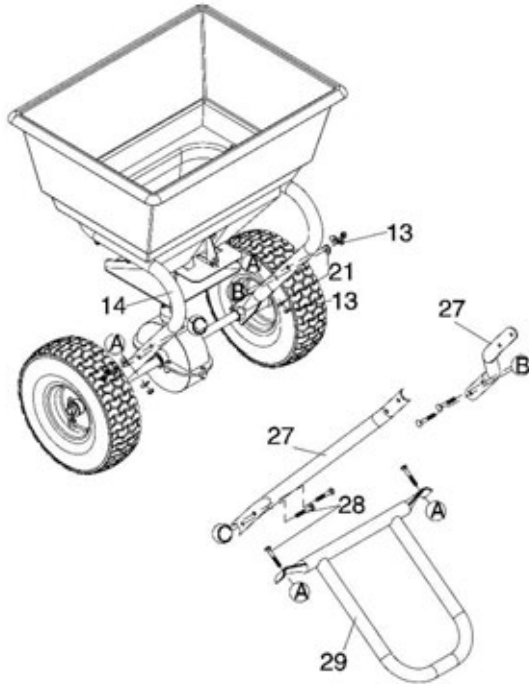
NOTE: Parts Lists are supplied for information purposes only, not all parts are stocked individually & we recommend you contact our Spares Team on 01793 333212 for expert advice.

ASSEMBLY

STEP 1: INSTALLING THE SUPPORT LEG

- Attach the support leg (#29) to the installation tube assembly (#14) using square neck bolt M6x40 (#28), camber washer (#21) and nylon M6 lock nut (#13).
- Attach the left and right support tube (#27) to the installation tube assembly (#14) using square neck bolt M6x40 (#28), camber washer (#21) and nylon M6 lock nut (#13).

ONLY LIGHTLY TIGHTEN THE NUTS & BOLTS

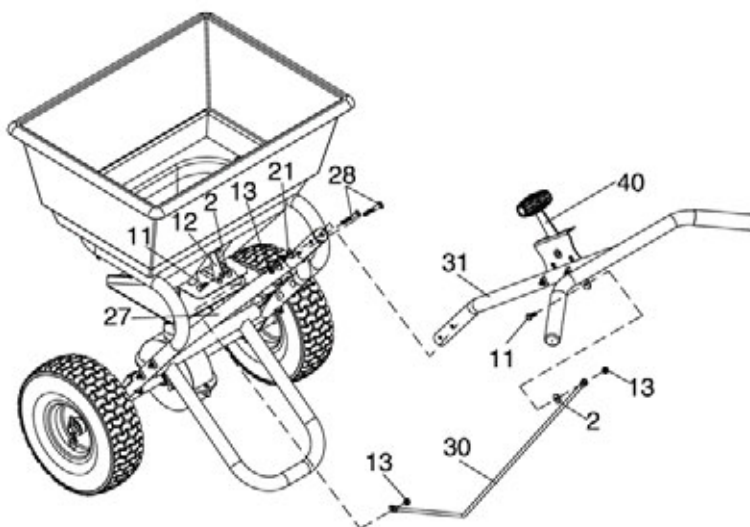


STEP 2: INSTALLING THE HANDLE & LOWER ADJUSTMENT LEVER

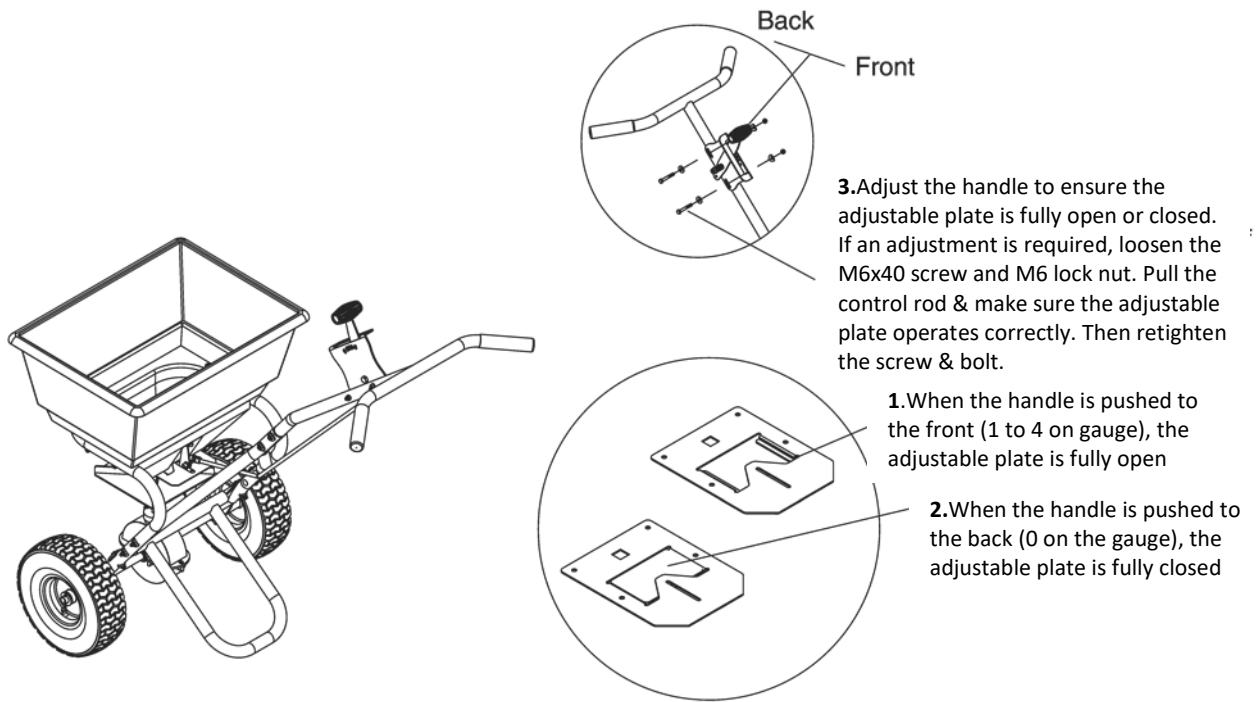
- Attach the handle connecting tube (#31) to the left and right support tube (#27) using square neck bolt M6x40 (#28), camber washer (#21) and nylon M6 lock nut (#13).

NOW TIGHTEN ALL NUTS & BOLTS SECURELY

- Connect the lower adjustment lever (#30) to the connecting rod fixed plate (#12) using hex bolt M6x16 (#11), nylon washer (#2) and nylon M6 lock nut (#13). Tighten the nuts, then loosen a rotation. Repeat the step of upper adjustment lever (#30) to the handle (#40).

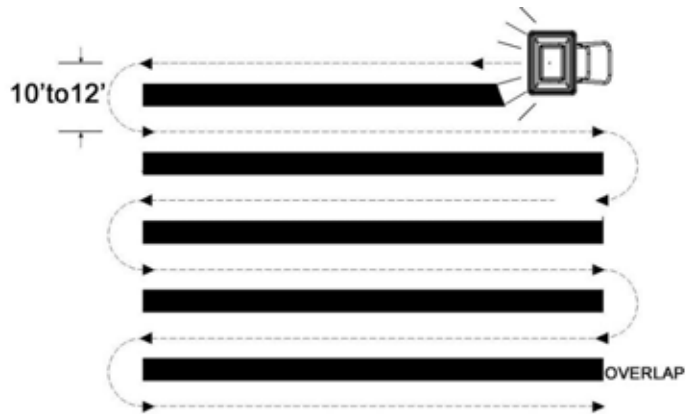


ADJUSTMENTS



CONSISTENT COVERAGE

To insure consistent coverage, make sure each broadcast pattern slightly overlaps the previous broadcast pattern as shown in figure below. The approximate broadcast widths for different materials are shown in the application chart.



OPERATION



DANGER

The product must only be put into operation if no defects are found. It is crucial that any defective parts are replaced before the product is used again. Check the safety equipment and the safe condition of the product. Check all parts to make sure that they fit tightly. Check whether there are any visible defects: broken parts, cracks, etc.



DANGER

DO NOT EXCEED THE EQUIPMENT MAXIMUM LOAD CAPACITY OF 70LBS (31.7KG) or 26 LITRES.

Before filling the hopper, familiarise yourself with the operation of this Spreader.

1. Inspect your spreader before each use. Make sure the wheels turn easily, and the gearbox moves when the spreader is pushed. The hopper should be clean and free from cracks.
2. Spreader is designed to spread a range of materials (Fertiliser, Grass Seed and Ice melt). Materials such as Powder, Manure, Top Soil, Gravel, and Mulch have the wrong physical characteristics and should not be used with your spreader.
3. Do not use the spreader on windy days when spreading grass seed or herbicides.
4. Determine approximate square footage of the area to be covered and estimate amount of material required. Please refer to fertilizer manufacturer's recommendation. Break up any lumpy fertilizer as you fill the hopper.
5. Before filling the hopper, make sure that the flow control lever is in the 0 position and the flow control plate is closed.
6. Set the adjustable stop with the flow control lever always in the 0 position. Every time you are ready to stop or turn back, close the flow control plate to stop dispersing the material and continue one more stride. This reduces waste and avoids damaging the lawn with oversaturated product coverage.
7. Follow fertiliser manufacturer's recommended coverage rate for each product.
8. To maintain the same coverage when walking at a different speed, adjust the flow rate. Reduce the flow setting for slower speeds and increase the flow setting for higher speeds.
9. Keep the impeller plate horizontal when operating the spreader. Tilting the spreader will result in uneven coverage.
10. Make sure the R pin is installed in the hopper before starting the spreader.
11. Always start walking prior to opening the closure plate.
12. Always close the flow control plate before turning or stopping the spreader.
13. If spreading material is accidentally deposited too heavily in a small area, soak the area thoroughly with a garden hose or sprinkler to prevent burning of the lawn.
14. To insure consistent coverage, make sure each broadcast pattern slightly overlaps the previous broadcast pattern.
15. When broadcasting spreading material, make sure the broadcast pattern does not hit evergreen trees, flowers or shrubs.
16. Do not over apply spreading material. Follow the recommended coverage rate for each product. Over application will lead to lawn damage and contamination.



CAUTION

The rate settings are guidelines only. Even branded materials may vary in grain size, humidity, density etc. If in any doubt choose a lower setting than that suggested or start at setting no. 2 and adjust as necessary, until an even spread is achieved.



WARNING

Do not over apply spreading material. Follow the recommended coverage rate for each product. Over application will lead to damage and contamination. If spreading material accidentally deposits too heavily, soak the area thoroughly with a garden hose or sprinkler to prevent burning.



CAUTION

DO NOT USE WITH ROCK SALT.

Using rock salt in this spreader will damage the mechanism and shorten the life of the product. Refined ice melting salt can be used but the user should be aware that this is not a specialised salt spreader and using salt may corrode the spreader and reduce the life of the machine. Clean the spread thoroughly after using refined de-icing salt.

MAINTENANCE

- After each use, clean material out of hopper and off the impeller.
- Rinse/dry inside and outside of the spreader after each use.
- Before operating make sure the tyres have the RECOMMENDED TYRE PRESSURE OF 20 PSI. We recommend the use of **FOOT or HAND** inflation devices only. Do not use electric or mechanical inflation devices.
- This is a garden/domestic product, therefore extended use over abrasive surfaces (e.g. concrete, tarmac etc.) could cause premature wear on the tyres.
- Periodically check all nuts & bolts for tightness.
- Annually clean and lightly lubricate parts with maintenance spray or multi-purpose grease.
- Use a glossy enamel spray paint to touch up scratched or worn painted metal surfaces.
- Never exceed load capacity rating of 70lbs it will damage the spreader.

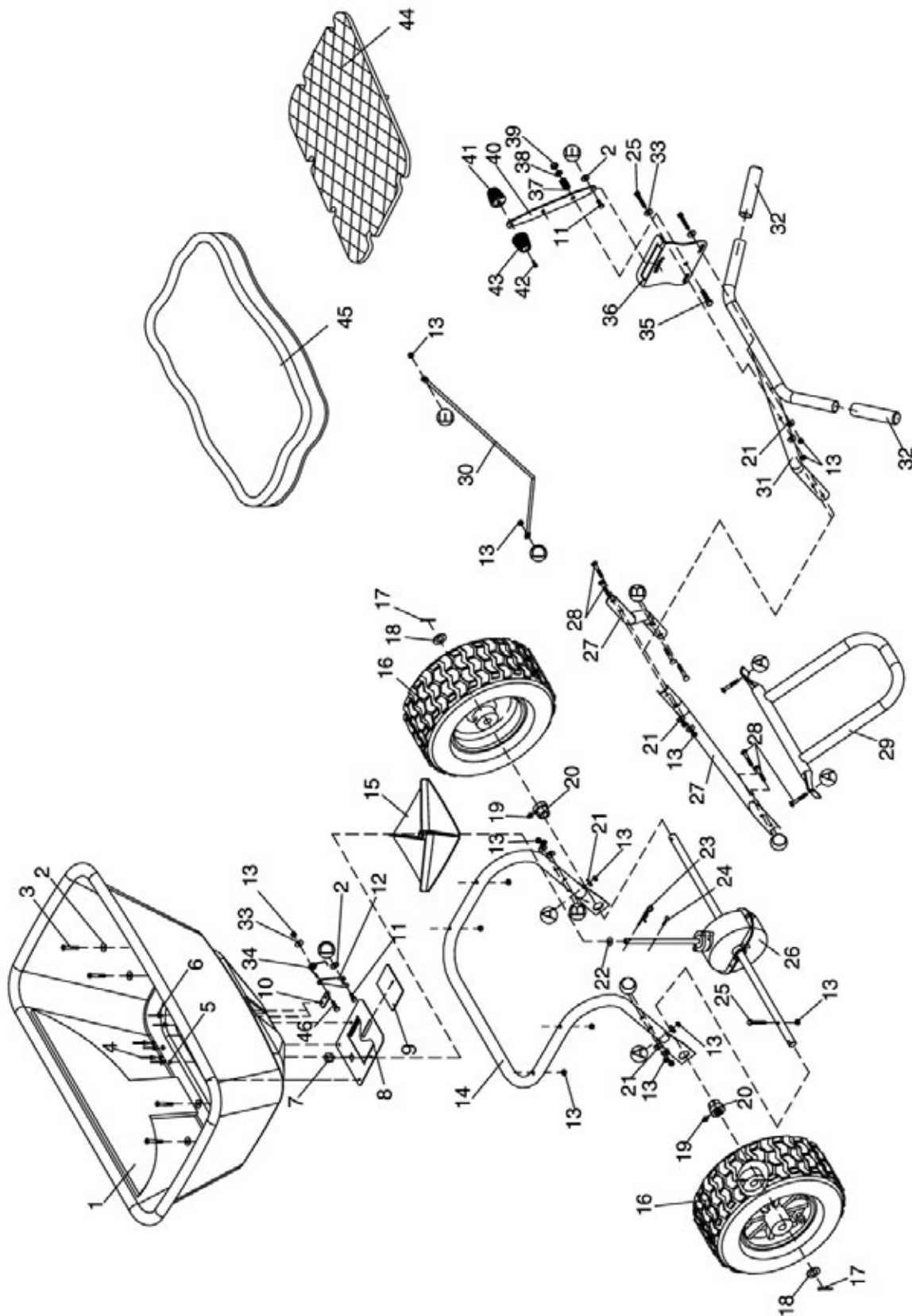
IMPORTANT:

If a part needs replacement, only use parts that meet the manufacturer's specifications. Replacement parts that do not meet specifications may result in a safety hazard or poor operation.

STORAGE

- Never allow material to remain in the hopper for extended periods of time.
- Before storing make sure the spreader is clean and dry for years of trouble free service.
- Store indoors or protected area during severe weather and winter months.

PARTS DIAGRAM



NOTE: Parts Lists are supplied for information purposes only, not all parts are stocked individually & we recommend you contact our Spares Team on 01793 333212 for expert advice.

PARTS LIST

Item No	Handy Part No.	Description	Qty	Item No	Handy Part No.	Description	Qty
1	TH235-NB0400001HO	Hopper	1	24	TH235-911004020CD	Screw M4x20	1
2	TH235-BS125T00009	Nylon Washer	6	25	TH235-910106040CD	Hex Bolt M6x40	3
3	TH235-910406040BXG	Inner Hex Screw M6x40	4	26	TH235-BS070T04000	Gear Box	1
4	TH235-950405013YH	Open Type Blind Rivet M5x13	4	27	TH235-BS070T00001	Left & Right Support Tube	2
5	TH235-930105000BXG	Flat Washer Ø5	4	28	TH235-911406040CD	Square Neck Bolt M6x40	8
6	TH235-950405008YH	Open Type Blind Rivet M5x8	2	29	TH235-BS070T02000	Support Leg	1
7	TH235-N51200009	Revolving Shaft Sleeve	1	30	TH235-BS125T00005	Adjustment Lever	1
8	TH235-BS125T00001PG	Fixed Adjustable Plate	1	31	TH235-BS070T01000	Handle Connecting Tube	1
9	TH235-BS125T00002PG	Active Adjustable Plate	1	32	TH235-BS070T00002	Handle Sleeve	2
10	TH235-N51200023CD	Torsional Spring Fixed Plate	1	33	TH235-930206000CD	Big Flat Washer Ø6	3
11	TH235-910106016CD	Hex Bolt M6x16	2	34	TH235-N51200025CD	Torsional Spring	1
12	TH235-BS125T00013CD	Connecting Rod Fixed Plate	1	35	TH235-910108035CD	Hex Bolt M8x35	1
13	TH235-920606000CD	Hex Lock Nut M6	18	36	TH235-BS125T00011	Graduated Plate	1
14	TH235-BS070T00003	Installation Tube	1	37	TH235-CPR150B00008CD	Spring	1
15	TH235-N51400004	Impeller	1	38	TH235-930208000CD	Big Flat Washer Ø8	1
16	TH235-BS070T03000	Wheel	2	39	TH235-920608000CD	Hex Lock Nut M8	1
17	TH235-940403030CD	Cotter Pin Ø3x30	2	40	TH235-BS125T05000	Handle	1
18	TH235-930116000CD	Flat Washer Ø16	2	41	TH235-N57000015	Adjustable Handle B	1
19	TH235-970106000	Oil Cap M6	2	42	TH235-911804018CD	Screw M4x18	1
20	TH235-BS125T00004CD	Hex Wheel Axle Sleeve	2	43	TH235-N57000014	Adjustable Handle A	1
21	TH235-BS125T00014CD	Camber Washer Ø6.5x Ø18	10	44	TH235-NB0300006	Hopper Screen	1
22	TH235-N57500014	Thin Washer	1	45	TH235-BS070T00005	Rain Cover	1
23	TH235-N56500009	R-Pin - Agitator	1	46	TH235-910106020CD	Hex Bolt M6x20	1

EC DECLARATION OF CONFORMITY



We Handy Distribution Ltd - SN3 5HY (Importer) declare that the product:

Designation: 70lbs (31.7kgs) Push Spreader

Model(s): THS70HDUTY

Product Number: 1938151001

Type/Serial No: As per rating label on machine

Complies with the following directives:

2006/42/EC – Machinery Directive

The conformity assessment procedure followed was in accordance with
EN ISO 12100:2010, EN 349:1993+A1:2008, EN ISO 14120:2015, EN ISO 13857:2008

Notified Bodies:

Ente Certificazione Macchine Srl

Address(es):

Via Ca' Bella, 243 – Loc. Castello di Serravalle – 40053 Valsamoggia (BO) - ITALY

Authorised signatory & technical file holder

Date:

17/07/2017

Signature:

A handwritten signature in black ink, appearing to read 'S Belcher', written over a horizontal line.

Name: Mr Simon Belcher

Position: Managing Director

Company: Handy Distribution Ltd

Address: Murdock Rd, Dorcan, Swindon, Wiltshire, SN3 5HY.

GJ HANDY & CO LTD USER WARRANTY POLICY

Users Statement of Warranty

Each new machine is warranted against defective material or assembly of material under normal usage. The warranty applies to the original purchaser and covers faulty parts and the labour involved in replacing and repairing those parts, which are of original manufacture.

Period of Warranty

All Webb & Webb Pro machines plus Sanli engines.

- a) 2 years from the original date of sale to the first domestic user.
- b) 90 days from the original date of sale to the professional/commercial user.
- c) 90 days from the original date of sale when used for hire.
- d) A reduced warranty period of 90 days applies to those items which are subject to normal wear and tear (e.g. but not limited to wheels, tyres, cutter bars, cylinders, blades, belts, cables, grass bags, spark plugs).
- e) Engines as per the manufacturer's warranty statement which will be supplied with the machine.
- f) 90 days from the original date of purchase for Replacement Spare Parts (unless normal wear & tear component, which are covered for 30 days).
- g) All machines' must be serviced within the first 12 months from the original date of purchase to comply with the warranty, failure to do so will invalidate the 2nd year of the warranty.

All Handy, Mowerland and Q-Garden products.

- a) 1 year from the original date of sale to the first domestic user.
- b) 90 days from the original date of sale to the professional/commercial user.
- c) 90 days from the original date of sale when used for hire.
- d) A reduced warranty period of 90 days applies to those items which are subject to normal wear and tear (e.g. but not limited to wheels, tyres, cutter bars, cylinders, bottom blades, belts, cables, collection bags, spark plugs).
- e) Engines as per the manufacturer's warranty statement which will be supplied with the machine.
- f) 90 days from the original date of purchase for Replacement Spare Parts (unless normal wear & tear component, which are covered for 30 days).

All warranty repairs must be undertaken by an authorised service dealer. These dealers have been accredited by GJ Handy & Co Ltd and agree to only use genuine parts and follow our repair procedures.

GJ HANDY & CO LTD USER WARRANTY POLICY

Not covered by this warranty

- a) The warranty policy does not cover any depreciation or damages caused by ordinary wear, rusting or corrosion, lack of correct maintenance or operation, misuse, abuse, lack of transportation or accident.
- b) The warranty policy does not cover any costs necessary for the standard periodic maintenance services instructed by the operator's manual, or service parts replacement which would include oil, filters, tyres, belts, brake linings, fuses, blades, seals and other service parts unless it can be proven that the item has evidence of faulty manufacture.
- c) The warranty policy will not cover failure or damage caused as a result of parts or accessories being modified without the written approval of GJ Handy & Co Ltd.
- d) The warranty policy will not cover the unit if non-genuine parts have been fitted and as a result damage has occurred to the unit.
- e) The warranty policy is non-transferable and is only applicable to the original purchaser.

Disclaimer

- a) This warranty is only a remedy for defect of products. GJ Handy & Co Ltd will never warranty in terms of the merchantability or the fitness for a particular purpose.
- b) No person is authorised to make any warranties, representations or promises, expressed or implied, on behalf of GJ Handy & Co Ltd, or to modify the terms conditions or limitation of this warranty policy in any way.
- c) Neither GJ Handy & Co Ltd nor any company affiliated with GJ Handy & Co Ltd shall be liable in any event or manner whatsoever for incidental or consequential damages or injuries, including, but not limited to, loss of crops, loss of profit, out of pocket expenses or profits, rental of substitute equipment or other commercial losses.

General

- a) Most warrantable failures show up within the first few weeks of use. These failures are usually straightforward and warranty assessment is relatively easy.
- b) Failures relating to cutter decks and belts need careful investigation, as the cause may not always be straightforward. Look for damage to blades and pulleys especially when the cutter belt or blade boss have snapped or cracked as this could be due to impact damage.
- c) Customers should always refer to the operator/instruction manual when any disputed problem arises, you will find most areas covered within the manual.

For spares or support of your handy product,
please contact us:

Tel: 01793 333212

Email: customerservice@handydistribution.co.uk

(Mon – Fri 8.00am to 5.30pm excl. Bank Holidays)

To see our range of garden machinery & equipment visit:

www.thehandy.co.uk

Making gardening easier & affordable since 1938

Distributed by Handy Distribution, Murdock Road, Dorcan, Swindon, SN3 5HY