



46cm Self Propelled Electric Start Lawnmower

WER460ES
1938221001

en - Original Instructions

ASSEMBLY REQUIRED
Minimum Two Persons

Sales & Support: 01793 333212

Before use please read & understand this manual; paying particular attention to the safety instructions before use.

Incorrect use of the product could put the operator or machine in danger.

Whilst every effort has been made to ensure the accuracy of information contained in this manual, our policy of continuous improvement determines the right to make modifications without prior warning.

Images are used for illustration purposes only.



INSTRUCTION MANUAL

20 Sep 2019

Copyright Notice

Copyright © Handy Distribution

Permission is granted to reproduce this publication for personal & educational use only.
Commercial copying, redistribution, hiring or lending is prohibited.

No part of this publication may be stored in a retrieval system or transmitted in any other form or means without written permission from Handy Distribution.

In all cases this copyright notice must remain intact.

CONTENTS
INTENDED USE
SAFETY INSTRUCTIONS
SPECIFICATIONS
KNOW YOUR MACHINE
ASSEMBLY
OPERATION
MAINTENANCE, CLEANING & STORAGE
TROUBLE SHOOTING
PARTS DIAGRAM & LIST
DECLARATION OF CONFORMITY
WARRANTY

INTENDED USE

This machine is to be used exclusively for cutting natural grass. Never use the mower for other purposes. Any other use can endanger for your safety and can involve damage to the mower.

Persons under 16 years of age and persons who are not familiar with the user instructions must not use the mower.

The user is responsible of the safety of other people in the working area. Keep children and domestic animals at a safe distance while the mower is in use.

Before mowing, remove all foreign objects from the lawn which may be thrown by the machine, stay alert for any foreign objects which may have been missed.

These operating instructions must be kept and referred to in order to ensure that the equipment is properly used and maintained. The instructions contain valuable information on operating, maintenance and servicing conditions.



WARNING

The equipment is to be used only for its prescribed purpose. Any other use is deemed to be a case of misuse. The user/operator and not the manufacturer will be liable for any damage or injuries of any kind caused as a result of this.

Please note that our equipment has not been designed for use in commercial, trade or industrial applications. Our warranty will be 90 days from the original date of sale for commercial, trade or industrial businesses or for equivalent purposes.



INSTRUCTION MANUAL

SAFETY INSTRUCTIONS

Read and understand the owner's manual and labels affixed to the machine. Learn its application and limitations as well as the specific potential hazards. Retain these instructions for future reference. The operator is responsible for following the warnings & instructions in this manual and on the product.

	<p>Read & understand operator's manual before using the machine. Failure to follow instructions could result in death or serious injury. Please keep in a safe place for future reference.</p>		Always wear eye and ear protection
	<p>Keep all bystanders & animals away from the machine during operation. If approached, stop the machine immediately.</p>		<p>Always wear gloves to protect your hands. SHARP ROTATING BLADES</p>
	<p>Risk of Carbon Monoxide Poisoning. Ensure working area is correctly ventilated.</p>		Wear foot protection or sensible shoes when using the machine
	<p>Fire Risk Fire and its vapors are extremely flammable & explosive. Fire or explosion can cause severe burns or death.</p>		Do not expose to rain or damp conditions.
	No smoking		Do not use near a flame, or sparks
	<p>Hot Surface. Running engines produce heat. Engine parts, especially the exhaust, become extremely hot. Severe thermal burns can occur on contact</p>		<p>Moving Parts Rotating parts can contact or entangle hands, feet, hair, clothing or accessories. Traumatic amputation or severe laceration can result</p>
	<p>Keep guards in place and in working order. Replace damaged, missing or failed parts before using it.</p>		Safety alert symbol. Used to alert you to potential personal injury hazards. Obey all safety messages that follow this symbol to avoid possible injury.
	<p>Indicates an imminently hazardous situation which, if not avoided, will result in serious injury</p>		Indicates a potentially hazardous situation which, if not avoided, could result in serious injury
	<p>Indicates a potentially hazardous situation which, if not avoided, may result in minor or moderate injury.</p>	CAUTION	Used without the safety alert symbol indicates a potentially hazardous situation which, if not avoided, may result in property damage.
	<p>CE Marking - the product meets demand and regulations set by the EU</p>		Noise Level - See label on machine

GENERAL SAFETY RULES



Before you put the machine into operation, you must read this instruction manual. When using this machine, observe the following safety instructions to exclude the risk of personal injury or material damage. Please also observe the special safety instructions in the respective chapters. Where applicable, follow the legal directives or regulations for the prevention of accidents in relation to the use of this machine.



WARNING

When using petrol tools, basic safety precautions, should always be followed to reduce the risk of serious personal injury and/or damage to the unit.

TRAINING



The operator must receive proper training in the use, adjustment and operation of the machine, including prohibited operations.

1. Read the instructions carefully. Be familiar with the controls & proper use of the equipment. Spend time to familiarise yourself with your machine before each use.
2. Never allow children or people unfamiliar with these instructions to use the machine. Local regulations can restrict the operator age.
3. This machine is not intended for use by persons (including children) with reduced physical, sensory or mental capabilities, or lack of experience and knowledge, unless they have been given supervision or instruction concerning use of the machine by a person responsible for their safety.
4. Never work while people, especially children, or pets are nearby.
5. The operator or user is responsible for accidents or hazards occurring to other people or their property.

SAFETY INSTRUCTIONS FOR WORKING WITH TILLER

1. Do not leave engines running in enclosed spaces, where dangerous carbon monoxide could accumulate.
2. Operate in daylight or good artificial lighting. If possible, do not use on overly wet ground.
3. Ensure good stability on slopes. Always operate across the slope, never up and down.
4. Be particularly careful if changing direction of travel on the slope.
5. Do not operate on steep slopes.
6. Operate whilst walking, do not run.
7. Be particularly careful when you turn or when you pull the machine towards you.
8. Stop the engine and blade, if it is to travel across other areas or must be transferred to/from working area.
9. Never use the machine with damaged safety protection guards.
10. Do not change the engine regulation set up. (This should only be undertaken by a skilled technician).
11. Carefully start the engine. Keep your feet clear of the blade.
12. Never reach behind or under the rotating parts with hands or feet.
13. Never lift or carry the machine while the engine is on.
14. Switch the engine off and remove the spark plug cap out before unblocking or removing obstacles from the blade or exit chute:
 - Before releasing blockages, inspecting, cleaning or working on the machine.
 - After hitting an obstruction. Search for damage on the machine & make repairs as necessary. If the machine starts vibrating unusually, it should be inspected by an Approved Webb Service Dealer.
15. Switch the engine off:
 - If you remove blockages from the machine.
 - Before refueling.



INSTRUCTION MANUAL

WORK AREA

1. Keep work area clean and well lit. Cluttered and dark areas invite accidents.
2. Check the landscape where the machine will be used and remove all objects such as stones, toys, sticks and wires, which could be caught and thrown away from the work area. Damage of the machine or operator's injury could be caused.
3. Do not operate this machine in explosive atmospheres, in the presence of flammable liquids, gases or dust. Machines create sparks which may ignite the dust or fumes.
4. Keep children & bystanders away while operating the machine. Distractions can cause you to lose control.

PERSONAL SAFETY

1. This machine is not intended for use by persons (including children) with reduced physical, sensory or mental capabilities, or lack of experience and knowledge, unless they have been given supervision or instruction concerning use of the machine by a person responsible for their safety.
2. Children should be supervised to ensure that they do not use or play with the machine.
3. Stay alert, watch what you are doing and use common sense when operating this machine.
4. Do not use this machine while you are tired, ill or under the influence of drugs, alcohol, or medication. A moment of inattention while operating this machine can cause you to lose control & may result in serious personal injury.
5. Do not overreach. Always keep proper footing and balance. This enables better control of the tool in unexpected situations.
6. Remove any adjusting tools before turning the machine on. A tool that is left attached to a rotating part of the machine may result in personal injury.
7. Use safety equipment. Always wear eye protection. Safety equipment such as a dust mask, non-skid safety shoes, hard hat, or hearing protection used for appropriate condition will reduce personal injuries.
8. Dress properly. Do not wear loose clothing or jewellery. Keep your hair, clothing & gloves away from moving parts. Loose clothes, jewellery or long hair can be caught in moving parts. Wear foot protection or sensible shoes when using the machine.
9. Prolonged use of the machine may lead to disorders of blood circulation in hands caused by vibration. These effects can be worsened by low ambient temperatures and/or by gripping the handgrips excessively tightly. Period of use you can extend with appropriate gloves or regular breaks. Take frequent work breaks. Limit the amount of exposure per day.

PETROL TOOL USE AND CARE



WARNING!

Petrol is highly flammable and explosive.

1. Store petrol in containers specifically designed for this purpose.
2. Refuel outdoors only and do not smoke while refueling.
3. Add fuel before starting the engine. Never remove the cap of the tank or add petrol while the engine is running or when the engine is hot.
4. If petrol is spilled, do not attempt to start the engine but move the machine away from the area of spillage and avoid creating any source of ignition until petrol vapors have dissipated.
5. Replace fuel tank & container caps securely.
6. Do not operate the engine in a confined space where dangerous carbon monoxide can collect.
7. Do not force the machine. Use the correct machine for your application. The correct machine will do the job better and safer at the rate for which it was designed.
8. Do not use the machine if the main OPC/Brake lever does not work to turn the machine off. Any machine that cannot be controlled with the OPC/Brake lever is dangerous and must be repaired.
9. Turn machine off completely before making any adjustments, changing accessories, or storing. Such preventive safety measures reduce the risks of starting the petrol tool accidentally.
10. Store idle machines out of the reach of children and do not allow persons unfamiliar with the machine or these instructions to operate. Petrol machines are dangerous in the hands of untrained users.

11. Maintain your machine. Check for misalignment or binding of moving parts, breakage of parts & any other condition that may affect the operation. If damaged, have the machine repaired by an Approved Webb Service Dealer immediately. Many accidents are caused by poorly maintained machines.
12. Use the machine, accessories and tool bits etc., in accordance with these instructions and in the manner intended for the particular type of petrol machine, taking into account the working conditions and the work to be performed. Use of the machine for operations different from intended could result in a hazardous situation.

PERSON PROTECTION

1. In case of any injury always proceed in accordance with the principles of first aid.
2. If someone is cut, cover the wound with a clean cloth & press hard to stop the flow of blood.
3. Do not let petrol or oil come in contact with your skin. Keep petrol and oil away from the eyes. If petrol or oil come into contact with the eyes, wash them immediately with clean water. If irritation is still present, see a doctor immediately.
4. Individuals with poor circulation who are exposed to excessive vibration may experience injury to blood vessels or the nervous system. Vibration may cause the following symptoms to occur in the fingers, hands or wrists: numbness, tingling, pain, stabbing sensation, alteration of skin colour or of the skin. If any of these symptoms occur, see a doctor.

Put safety first in the case of fire:

5. If fire comes from the engine or smoke appears from anywhere other than the exhaust vent, at first distance yourself from the product to ensure your physical safety.
6. Use a dry powder fire extinguisher on the fire to prevent it from spreading.
7. A panicked reaction could result in the fire and other damage becoming more extensive.

LITHIUM-ION BATTERY AND CHARGER PARAMETERS AND PRECAUTION GUIDE

Lithium-ion battery

Model : DL3S1P12B

Parameters : DC12V2Ah

Precaution guide

State as delivered: Battery pack charging to approximately 40% charge state, Open circuit voltage 10.8V~11.5V.

- Activation: Activate every three months, Activate with charger and machine (charge-discharge-charge).
- Storage and transportation: If the battery pack is stored for more than three months, Battery packs should be at low temperature, in a dry place; The transportation process should prevent violent vibration, impact, sun and rain, etc.
- When the battery is not in use, please remove it from the device;
- Keep the battery clean and dry;
- The two-cell battery can perform better when used at room temperature;
- If there is stain on the surface of the battery, wipe it with a dry clean cloth;
- After a long storage period, the battery needs to be activated several times to ensure the maximum efficiency;
- When dealing with the secondary battery, please separate it from other electrochemical systems products
- The waste battery should be disposed of by the relevant disposing unit

Safety

The improper use of lithium ion battery can cause battery damage and even endanger personal safety. Please read carefully, use correctly and take precautions:

Electrical performance abuse

- Charge and use according to specifications;
- Use Lithium - ion specific charger;
- Ensure that the polarity is correct when charging, the battery cannot be charged on the back side;
- Do not plug in the battery on the charger when it is not in use



INSTRUCTION MANUAL

Environmental abuse

- Do not put the battery on fire, and do not put the battery into water.
- Do not place the battery core under the direct sunlight, which may cause the core to produce heat, smoke, fire, and can also cause bad performance and shorten the service life;
- The battery cannot be dismantled, opened, and decomposed without permission. It can only be dismantled by professionals. The enclosure must be designed so that professionals can only use tools to disassemble it;
- Do not leave the battery in a hostile environment: extreme temperature, deep cycle, overcharge or over discharge;
- Do not short-circuit the battery, it would permanently damage it;
- The battery cannot bear mechanical shock;
- Do not burn or damage the battery, which may lead to toxic gases release or explosion.



WARNING

- When using a new battery or a battery that was stored for a long time, please charge the battery before using it;
- The reverse charge is forbidden, correctly connect the positive and negative polarity of the battery. If the positive and negative polarity cannot charge the core, the reverse charge will reduce the charging and discharging performance and safety of the battery core and will cause high temperature and electric leakage.
- Do not mix old and new batteries or different types of batteries, this may cause over discharge.
- If there is abnormal noise, abnormal temperature or leakage, please stop using immediately.
- If the battery is hot, do not touch it until it has cooled down;
- Do not remove the shell of the battery;
- If the battery is hot after used, please cool in a ventilated environment before recharging;
- Do not try to separate, squeeze, hit the battery. Otherwise, the battery will heat or catch fire and the lye in the battery will be harmful to the skin and eyes and will damage the clothing.
- Keep the battery away from children. If swallowed, contact your doctor immediately
- When the battery leaks, your skin and eyes cannot touch the liquid. Once touched, immediately flush the injured area with a large amount of water and immediately see a doctor.

Lithium-ion battery charger

Model : KF62L-12.6V1500-G

Parameters: Input AC100~240V 50~60Hz 25W, outputDC12.6V1.5A



Precaution guide.

- Please use according to the specification,
- Please note that wrong usage may lead to electrical conduction, smoking, glow, damage.
- When using, the input voltage/temperature range must conform to the specification, otherwise it can cause damage.
- Do not place in high temperature/high humidity/dust/corrosion environment,
- It is strictly forbidden to cover during power up, otherwise it can cause damage/deformation/scald etc.,
- When the battery is fully charged, please remove it from the charger and remove the charger input line from the power socket,
- Under the stipulated storage conditions, if the storage time is superior to 6 months, it will need to charge at least 2 hours, otherwise, it may shorten the service life.

SPECIFICATIONS

Model	WER460ES
Product Number	1938221001
Working Width	460mm
Drive Type	Self-Propelled
Cutting Heights	25-75mm - 7 levels
Collector Capacity	55L
Deck	Steel
Front / Rear Wheel	7in / 8in
Engine	Petrol, 4-Stroke Air Cooled
Engine Displacement	173cc
Rated Engine Power	3.3kw
Rated Engine Speed	2800rpm/min
Oil Tank Capacity	0.6L
Battery Parameters	DC12V 2Ah
Battery Charger	KF62L-12.6V1500-G
Battery Charger Parameters	Input AC100~240V 50~60Hz 25W , output DC12.6V1.5A
Guaranteed Noise Power Level L _{WA}	96 dB(A)
Emission Sound Pressure Level L _{PA}	82.3 dB(A)
Vibration a _{hv} :	7.38 m/s ² - uncertainty K: 1.5 m/s ²

The manufacturer reserves the right to change the product specification and livery according to continued product improvements.





INSTRUCTION MANUAL

KNOW YOUR MACHINE

1. Self-Propelled Lever	2. Handle Soft Grip
3. Upper Handle	4. OPC/Brake Lever
5. Quick Release Handle Fixing	6. Lower Handle
7. Grass Collector	8. Fuel Tank Cap
9. Battery Cover	10. Bumper
11. Single Height Adjuster Lever	12. Rear Wheel
13. Engine Oil Filler Cap & Dipstick	14. Side Discharge Cover
15. Side Discharge Chute (Not Pictured)	16. Cutting Deck
17. Push Button Start	18. Recoil Starter Handle
19. Rear Discharge Cover	20. Front Wheel
21. Air Filter Housing	



ASSEMBLY

Remove the machine and contents from the carton. Be sure the carton is empty before discarding.

If you require any assistance with regards to the contents of the machine, contact us:

Tel: 01793 333212 - Mon – Fri 8.00am – 5.30pm (excl. Bank Holidays)

Email: customerservice@webbgardenpower.co.uk

IMPORTANT INFORMATION

NOTE: This product is a 4-stroke engine powered machine.

The engine MUST be filled with recommended 4-stroke SAE30 or 10W/30 air cooled lawnmower engine oil BEFORE starting. Fresh unleaded petrol must be used in this unit. DO NOT use Ethanol based fuels. DO NOT mix oil with fuel.



WARNING

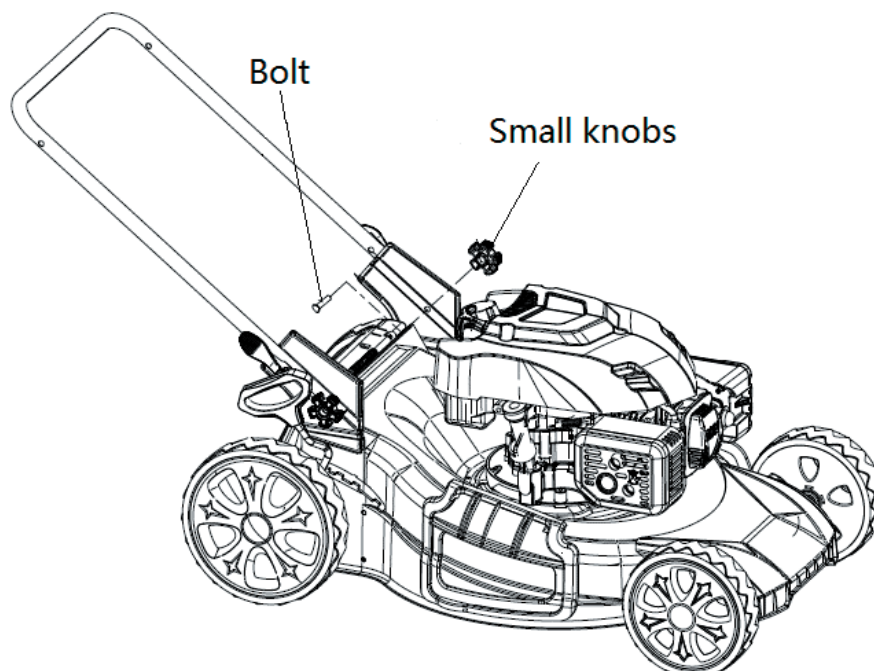
Stop the engine and unplug the spark plug before any repairs or maintenance operations.

DO NOT attempt to start this machine without it first being FULLY assembled.

DO NOT attempt to start this mower without first adding 4-stroke SAE30 or 10W/30 air cooled lawnmower engine oil to the engine.

HANDLES

1. To attach the lower handle, first remove the two lower handlebar knobs and washers. Please note that the bolts have a two-phase thread, to stop the knobs was coming off the bolt accidentally and being damaged.
2. Place the lower handle in position by aligning the lower handle with the outer side of the metal mounting plates located at the back of the mower deck.
3. Once in position, insert the bolt on each side through the mounting plate and then through the lower handle.
4. Once the bolts are loosely in position, attach the washer and lower handlebar locking knobs onto the outer side of the lower handles and secure until tight.





INSTRUCTION MANUAL

5. To attach the upper handlebar.

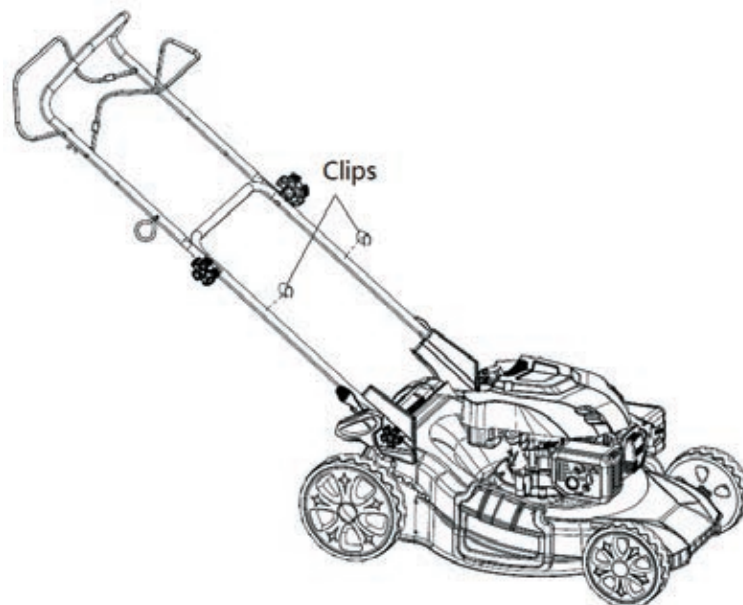
NOTE: The Recoil rope guide attached to the upper handle, should be on your right side.

6. Position the upper handlebar over the lower handles just below the lower handlebar, aligning the holes in the upper handle with those in the lower handle. Insert the quick release handle with bolt through the lower handle, then through the upper handle holes.
7. Then attach the handlebar knob on the inner side of the upper handle and secure until tight.



CABLE TIDY

1. Place the cable tidy over the handle assembly and house the cables into the tidy.



INSTALL THE CONTROL PANEL

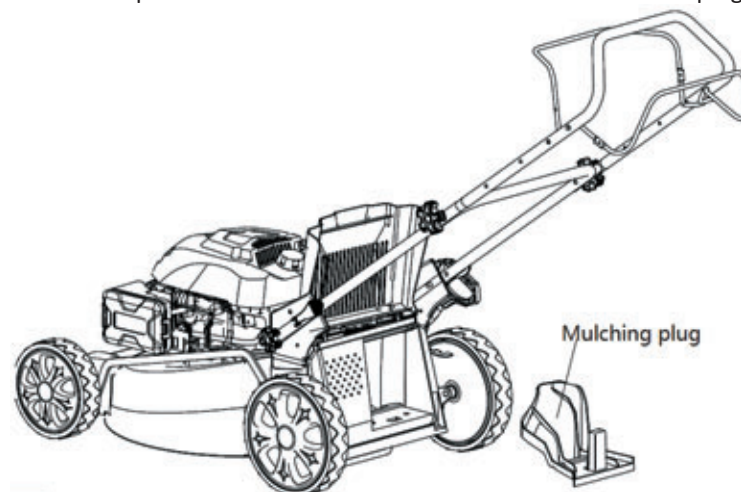


1. Place the control panel onto the upper handle, seating with the relevant fixing holes.
2. Feed the OPC/Brake cable through the slot in the panel, then attach the wire to the OPC/Brake lever. It will be necessary to unhook the OPC/Brake lever from the upper handle assembly. Feed the dogleg of the cable into the lever and then rehouse the lever into the upper handle.
3. Fix the control panel onto the upper handle with the screws provided.

MULCH PLUG

NOTE: Mulching stops collection of grass into the rear collector.

You will find the mulch plug loose in the carton or fitted to the machine. If the mulch plug is not located in the carton, lift the grass collector flap at the rear of the machine and remove the mulch plug.

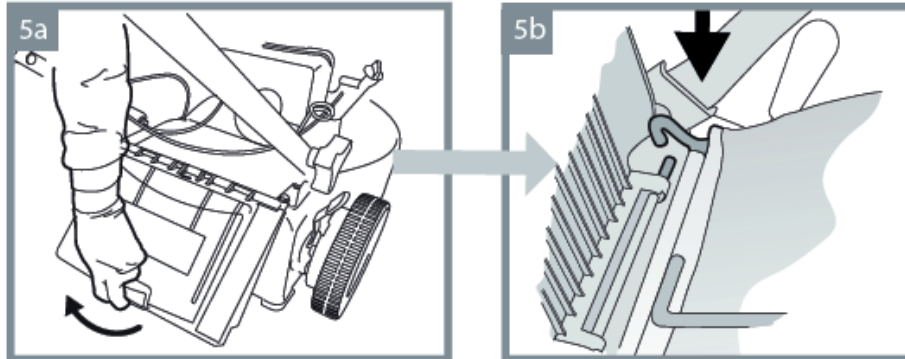




INSTRUCTION MANUAL

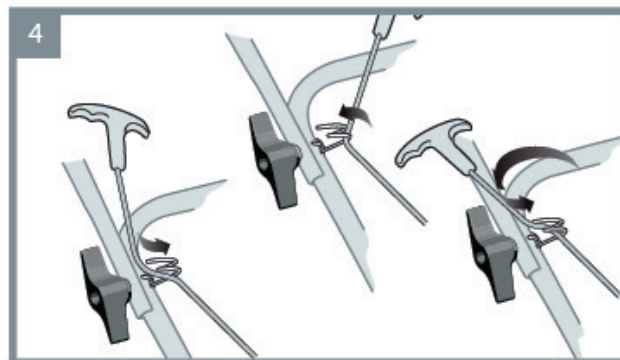
GRASS COLLECTOR

1. Left the grass collector flap up, so that it opens past the handle assembly. Hold in position and place the grass collector hooks over the springs and place into position.
2. Lower the grass collector flap to sit onto the grass collector.



RECOIL STARTER HANDLE

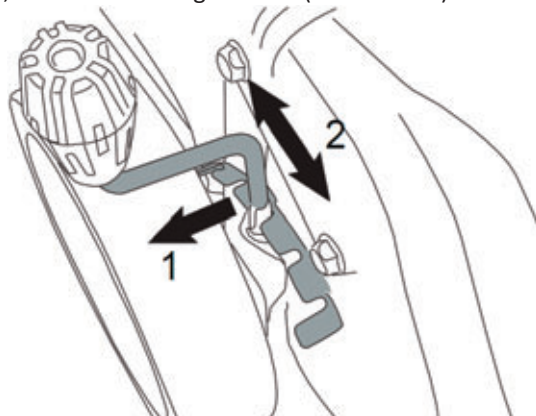
1. To ease starting of the machine, the recoil starter handle can be housed on the handle assembly.
2. To house it correctly, pull the OPC/Brake lever towards the main handle. Do not let go.
3. Now grab the recoil starter handle and slowly lift it towards the housing. There will be some resistance and do not pull too hard. Wrap the Starter rope through the housing and seat the recoil starter housing.
4. You can now release the OPC/Brake lever.



HEIGHT OF CUT

To adjust the height of cut, the machine has been supplied with a single lever, located at the right rear wheel. Adjusting the height of cut should only be undertaken when the engine is off, and the blade has come to a complete standstill.

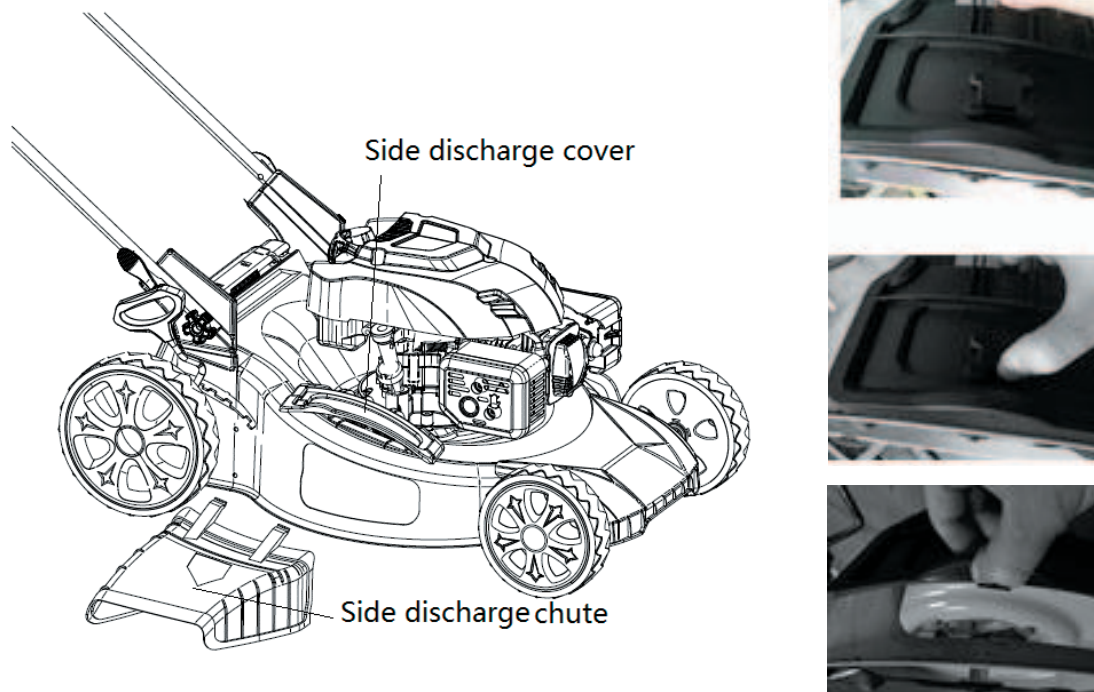
To adjust the height of cut, grab the height of cut lever and push it away from the gauge (1) and then lift or lower the lever to the required height of cut (2). Moving the lever forward will lower the height of cut (Min. 25mm). Moving the lever back, will raise the height of cut (Max. 75mm)



SIDE DISCHARGE CHUTE

NOTE : When using the side discharge function. Remove the grass collector and plug the mulch plug into the rear of the machine.

1. Unlock the side discharge cover and lift. Hook in the side discharge chute.
2. Allow the side discharge cover to secure onto the side discharge chute into position.





INSTRUCTION MANUAL

OPERATION - ENGINE

FUEL & OIL



WARNING

YOUR MACHINE IS SUPPLIED WITHOUT ENGINE OIL OR PETROL

Operating the engine with insufficient oil, can have catastrophic consequences. Any failure caused by insufficient oil, will not be covered by the manufacturer's warranty.

READ INSTRUCTIONS CAREFULLY.



Fuel & its vapors are very flammable. Do not use or fuel the machine near a flame, sparks or while smoking.

Allow the engine to cool for more than 3 minutes, before re-fueling. Never fuel the machine with engine running. Fuel the engine at least 15 metres away from your work area. Always fuel your machine outdoors.

IMPORTANT:

Fuel which is older than 30 days old can become stale and cause acid & gum deposits in the fuel system or essential carburettor components. This could result in starting issues which would not be covered by your manufacturer's warranty.

Ensure that any stored petrol is clearly marked in a separate appropriate canister for a maximum of 30 days, if not mixed with a fuel additive. If the machine is not going to be used for a long period, drain the fuel tank, start the engine and drain the carburetor of any remaining fuel.

To keep fuel fresh, we recommend you use SURE-START FUEL ADDITIVE (HP-199) from Handy Parts. A fuel additive added to your fuel at the time of purchase, will help make your machine easier to start, extend the shelf life of your fuel mixture for up to two years, keeps the carburettor & engine clean, plus reduces emissions and increases fuel economy. A 250ml bottle of SURE-START FUEL ADDITIVE will treat 25 litres of fuel. Only use 4-stroke SAE30 or 10W/30 air cooled lawnmower engine oil. **DO NOT USE** automotive or marine oil.

FUELING THE MACHINE

Place the machine onto a solid flat surface, ensuring the engine is not running. Let the engine rest for a minimum of two minutes. Fill the fuel tank outdoors or in well-ventilated areas.

Unscrew the fuel cap slowly and fill the fuel tank with clean, less than 30 days old unleaded petrol with an Octane rating of 87 (91 RON) or higher. Fill to a maximum of 80% capacity. This will allow the fuel tank to expand. Fasten the fuel cap tightly, being careful not to cross-thread. This will also prevent loosening through vibration during use. Wipe away any spillage, with an appropriate material. If the machine has continued leaks, the product should not be started. Never use the machine with damaged ignition cable or spark plug cap, as there is a risk of sparks.

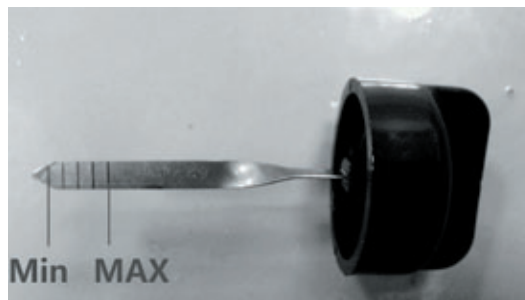


WARNING

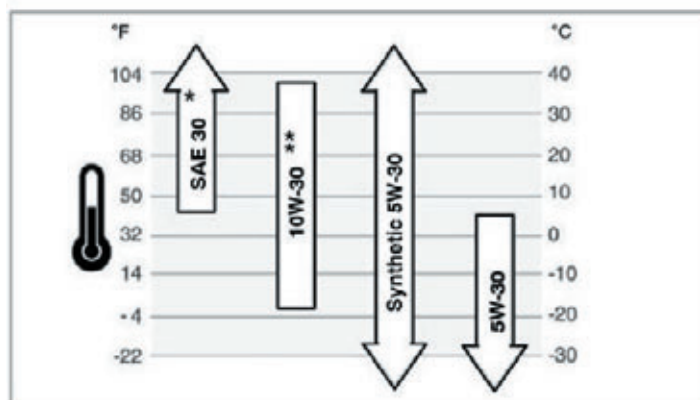
Fuel and its vapors are extremely flammable and explosive. Fire or explosion can cause severe burns or death.

ENGINE OIL

1. Remove the oil filler cap with built in dipstick.
2. Fill the engine with 4-stroke SAE30 or 10W/30 air cooled lawnmower engine oil. **DO NOT USE** automotive or marine oil. The use of a funnel will aid the filling. The engine capacity is 0.40L.
3. We recommend the dipstick on the oil filler cap is wiped with a clean cloth and dipped (without screwing into the filler neck) to ensure the oil level remains between the minimum and maximum marks on the dipstick.



4. Replace and tighten the oil filler cap with built in dipstick.



**NOTE: Below 40F° (4°C) the use of SAE 30 will result in hard starting.
Above 80F° (27°C) the use of 10W-30 may cause increased oil consumption. Check oil level more frequently.**

AMBIENT TEMPERATURE



INSTRUCTION MANUAL

STARTING & STOPPING YOUR ENGINE

LITHIUM BATTERY STARTING AND STOPPING PROCEDURE

(NOTE: STARTING AN ENGINE WITHOUT ENGINE OIL OR FUEL CAN SERIOUSLY DAMAGE THE MACHINE)

BATTERY CHARGE

1. The 12v battery has a charge indicator, which indicates the amount of charge within the battery by a series of lights. Press the battery charge button and the battery charger indicator lights will illuminate. When all four lights are illuminated, the battery is fully charged. If no lights illuminate, the battery requires charging. A full charge of the battery will take up to 90 minutes.



2. Plug the charger into the appropriate power socket and the power indicator light on the charger will illuminate green.
3. Slide the battery onto the charger slot and ensure the battery clicks into place.
4. When the battery is charging, the charging indicator light on the charger will be illuminated red and the green indicator light will go out.
5. When the battery is fully charged, the red indicator light on the charger will go out, the green indicator light will be on.
6. Remove the battery from the charger and remove the charger plug from the power socket.

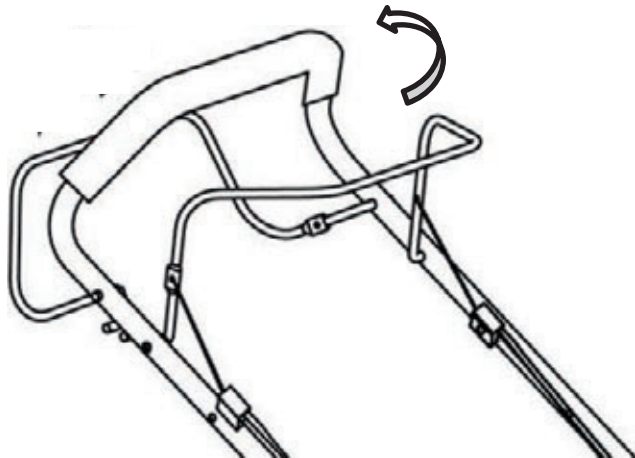
INSTALL THE BATTERY

1. Open the battery cover located centrally on the control panel.
2. Insert the battery into position and push it into place.
3. Close the battery compartment cover.



BATTERY START

1. First of all, check the machine and ensure sufficient engine oil and fuel have been added.
2. Pull the OPC/Brake lever up to the top handle and press the start button.
3. When the engine starts, release the start button.



ENGINE STARTING & STOPPING PROCEDURE USING MANUAL RECOIL

(NOTE: STARTING AN ENGINE WITHOUT ENGINE OIL OR FUEL CAN SERIOUSLY DAMAGE THE MACHINE)

1. Pull the OPC/Brake lever towards the main handle. Do not let go.
2. Grab the recoil starter handle and pull lightly until resistance is felt, then pull rapidly.



3. The engine should start.
4. Rehouse the recoil starter handle. Do not let it go until housed to prevent damage.
5. If the engine does not start, run through from step 2 again.

NOTE: If the engine won't start after you have operated the starter several times, the engine may be flooded with excess fuel. Use the following procedure to clear and start a flooded engine.

1. Release the OPC/Brake lever.
2. Remove the spark plug, dry it, and then reinstall it.

NOTE: Install the spark plug carefully by hand, to avoid cross-threading. After the plug is seated tighten 1/8 to 1/4 turn with socket spanner of spark plug to compress the washer.

3. Pull the OPC/Brake lever towards the upper handle.
4. Operate the starter as described above.



INSTRUCTION MANUAL

STOPPING THE ENGINE

- Release the OPC/Brake lever. The engine will come to a stop and a couple of seconds later, the blade will stop rotating.



SELF-PROPELLED

To self-propel your lawnmower,

1. Start the engine as stated above.
2. Push the drive lever up to the main handle. The lawnmower will start to move with the engine running and blade rotating. It is easier to manually push the machine a couple of steps and then engage the self-propelled motion to ensure the grass is not damaged and the machine does not take off, away from the user suddenly.
3. To stop the lawnmower moving, just simply release the drive lever in good time.
4. The self-propel speed has been set at the factory and cannot be adjusted.



MOWING WITH COLLECTOR



WARNING

**Always observe the strictest safety procedures when using the lawnmower. Carefully read the safety instructions of this manual before using the lawnmower.
Never open the rear flap when the grass bag has been detached (to be emptied) and the engine is still running. The rotating blade can cause serious injuries!**

1. Select your required height of cut setting.
2. Start the engine and allow it to run and warm up. See Starting the Engine section of the manual.
3. Keep a firm grip on the upper handle with OPC/Brake lever always engaged when attempting to cut.
4. Pull the Drive lever up to the handle when you wish to self-propel.

EMPTYING THE GRASS BAG

As soon as grass clippings start to trail the lawnmower, it is time to empty the grass bag.

NOTE: Before taking off the grass collector, switch off the engine and wait until the blade has come to a stop.

1. To take off the grass collector, use one hand to lift up the rear cover and the other to grab onto the grass collector carry handle. The rear cover automatically falls down after removing the grass collector and closes off the rear chute opening.
2. Empty the grass debris from the grass collector and refit.

NOTE: If any grass residue is caught in the discharge chute, clean it using a brush. Do not remove grass debris in the mower deck or on the blade by hand or with your feet. Instead use suitable tools such as a brush or broom. To ensure that the cut grass can be collected into the grass collector, the discharge opening and inside the mower deck must be cleared of any blockage.

SIDE DISCHARGE CHUTE

NOTE : When using the side discharge function. Remove the grass collector and plug the mulch plug into the rear of the machine.

1. Unlock the side discharge cover and lift. Hook in the side discharge chute.
2. Allow the side discharge cover to secure onto the side discharge chute into position.
3. Remove the grass collector. Place the grass collector in a safe place.
4. Insert the mulch plug into the rear of the machine.
5. Start the machine and mow. Grass will be discharged from the side discharge chute back to the floor.

NOTE: If any grass residue is caught in the side discharge chute, clean it using a brush. Do not remove grass debris in the mower deck or on the blade by hand or with your feet. Instead use suitable tools such as a brush or broom.

MULCH PLUG

NOTE: Mulching stops collection of grass into the rear collector.

1. Lift the rear cover and remove the grass collector.
2. Insert the mulch plug into the rear of the machine
3. Allow the rear collector to sit on the rear of the deck.
1. Start the machine and mow. The grass will be discharged back to the floor, under the deck in finely cut particles providing nutrients to the ground.

MOWING INSTRUCTIONS

1. Walk, never run with the mower, be very careful when mowing uneven or rough ground.
2. Be careful when changing the direction of the mower on a slope. Mow across the face of slopes, never down or up.
3. Do not mow excessively steep slopes.
4. Best results will be achieved if the grass is dry. Wet grass will clog the blade & grass collection system.
5. Grass grows at different rates at different times of the year. Never use the lowest cutting height for the first cut of the season or in drought conditions.
6. Do not remove grass debris in the mower deck or on the blade by hand or with your feet. Instead use suitable tools such as a brush or broom.
7. Check that all nuts, bolts and screws are well tightened.
8. Before mowing, place the grass collector in its position.
9. Before mowing make sure that the blade and the blade fixing screw are securely fastened. When blade cutting edges require re-sharpening, this must be done evenly on both sides, so as to prevent any imbalance. If you are unsure how to sharpen the blade, please visit your local Approved Service Dealer. If the blade is damaged, it must be replaced.
10. When mowing, always wear a long trousers and strong footwear.
11. Do not run the engine in an enclosed and/or poorly ventilated area, where gas of the engine contains carbon monoxide, which are dangerous for your health.
12. Work only when there is enough light.



INSTRUCTION MANUAL

13. Turn off the engine if you must leave the lawnmower unattended.
14. Never lift the rear of the mower while starting the engine and never place your hands and feet underneath the deck or into the rear discharge chute while the engine is running.
15. **Never change in any way the rated speed of the engine.**
16. On self-propelled mowers, disconnect the self-propelled system before starting the engine.
17. Never lift or carry the mower while the engine is running.
18. Stop the engine and remove the spark plug cover in these cases:
 - Before any operation under the deck or the rear discharge chute.
 - Before any maintenance, repairing or checking operations.
 - Before carrying, lifting or removing the mower.
 - If you leave the mower unattended or changing the cutting height.
 - To remove and emptying the grass catcher.
 - After hitting a foreign object, stop the engine and check thoroughly the mower in order to see if it is damaged. Take the machine to a local Approved Service Dealer for inspection if necessary. Repairs of this nature are not covered under the Manufacturer's warranty.
 - If the mower vibrates in an abnormal way, find the reasons why, and take your mower to a local Approved Service Dealer.



WARNING

After the engine has stopped, the blade will still rotate a couple of seconds.



CAUTION

Operating on gradients could cause the machine to tip over.

Allowing anyone to operate this machine without proper instruction may result in injury.

Wear sturdy, full coverage footwear. Operating this machine with bare feet, or with open toe shoes or sandals increases your risk of injury.

Do not use the machine at night or in poor light.

Be sure to transport the machine from one place to another with the engine off.

Be sure to wear heavy gloves when cleaning underside of the deck or handling the blade.

To prevent damage, check the machine for any signs of damage or other faults when operated.

MAINTENANCE, CLEANING & STORAGE



WARNING

Improper maintenance & storage of the machine may void your warranty. Keep the machine clean for better and safer performance.

Turn off the engine before performing any maintenance. If the engine must be run, make sure the area is well ventilated. The exhaust emits dangerous carbon monoxide gases.

MAINTENANCE

Use only original equipment replacement parts. Other parts may not perform as well, may damage the unit and may result in injury. In addition, use of other parts may invalidate your warranty.

- Before each use, check all nuts & bolts to be sure they are sufficiently tightened.
- We recommend only manufacturer original parts are used when maintaining this machine. Failure to do so could invalidate your manufacturer's warranty.
- The engine must be switched off, with the spark plug cap removed, before the machine is unassembled, cleaned, serviced or maintained.

LUBRICATION

- WHEELS - Lubricate the ball bearings in each wheel at least once a season with a light oil.

REMOVE ENGINE OIL



CAUTION

Used oil is a hazardous waste product and must be disposed of properly. Do not discard with household waste. Check with your local authorities, service center, or dealer for safe disposal/recycling facilities.



WARNING

Before draining any oil, ensure the fuel tank is empty. Fuel can leak out and result in a fire or explosion. To empty the fuel tank, run the engine until it stops from lack of fuel.

- Draining the oil can only be undertaken from the oil filler neck.
- Turn off the engine.
- Remove the spark plug cap and keep away from the spark plug.
- Drain while the engine is still warm to assure rapid and complete drainage.
- Remove the oil filler cap with dipstick.
- Place an approved container below the machine.
- Ensure you keep the spark plug end of the engine up.
- Install Oil drain plug and wrench tighten.
- Refill with the recommended oil and check its level as required, following instructions within this manual.

Oil capacity: See Specification section of this manual.

Wash your hands with soap and water after touching used oil.

NOTE: Please dispose of used motor oil in a manner that is compatible with the environment. We suggest you put it in a sealed container to your local service for reclamation. Do not throw it away into the refuse collection or pour it on the ground or in drains.



INSTRUCTION MANUAL

AIR FILTER

A dirty air filter will block air flow into the carburettor. To prevent carburettor malfunction, service the air filter regularly. Service more frequently when operating the engine in extremely dusty areas.

1. Remove the air filter cover. Remove the filter. Carefully check both for holes and tears and replace it if damaged.
2. **Foam element:** clean in warm soapy water, rinse and allow to dry thoroughly or clean in high flash-point solvent and allow to dry. Dip the element in clean engine oil and squeeze out all the excess. The engine will smoke during initial start-up if too much oil is left in the foam.



WARNING

Never use gasoline or low flash point solvents to clean the air cleaner element. A fire or explosion could occur.



CAUTION

Never run the engine without air filter or rapid engine wear will be the result.

SPARK PLUG

To ensure proper engine operation, the spark plug must be properly gapped and free of deposits.

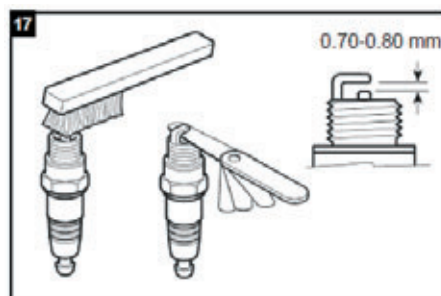
1. Do not attempt to remove the plug from a hot engine in order to avoid possible damage to the threads.
2. Remove the spark plug cap.



WARNING

If the engine has been running, the exhaust (muffler) will be very hot. Be careful not to touch the exhaust (muffler).

3. Visually inspect the spark plug. Discard it if the insulator is cracked or chipped.
4. Measure the plug gap with a feeler gauge. The gap should be 0.7-0.8mm (0.028-0.031 in), correct as necessary by bending the side electrode.



5. Attach the plug washer, thread the plug in by hand to prevent cross-threading.
6. When mounting a new spark plug, you should screw 1/2 more thread with the wrench after the washer is compressed. If you are mounting an old one, you should only screw 1/8-1/4 more thread.



CAUTION

The spark plug must be securely tightened. An improperly tightened plug can become very hot and possibly damage the engine. Never use a spark plug with an improper heat range.

CLEANING



CAUTION

Do not use a water hose or pressure washer to clean the engine. Water can damage the engine or contaminate the fuel system.

- Keep your machine clean. Thoroughly clean the machine at the end of each use, paying attention to stones or mud in and around the tines.
- Clean the engine regularly with a cloth or brush. Keep the cooling system (blower housing area) clean to permit proper air circulation which is essential to engine performance and life. Be certain to remove all dust, dirt and combustible debris from exhaust area.

STORAGE & TRANSPORT

The following steps should be taken to prepare your machine for storage.

STORING THE LAWNMOWER FOR SHORT PERIODS

The lawnmower can be stored for short periods of time (less than 15 days) without performing any storage maintenance. Before placing the lawnmower into storage always carry out the following:

1. Allow the engine to fully cool.
2. Ensure the grass collector is empty.
3. Clean all debris from under the mower deck.
4. Store the lawnmower on a flat and level surface with the mower upright.
5. Store in a safe place which is not accessible by children or people who are not familiar with operation.

STORING THE LAWNMOWER FOR EXTENDED PERIODS

If the lawnmower is to be placed into storage for more than 15 days, storage maintenance must be performed on the lawnmower. If the following steps are not carried out, when you next operate the lawnmower it may not start correctly and may need to be serviced.



CAUTION

Do not empty the petrol tank in enclosed areas, near fire or when smoking. Petrol fumes can cause explosions and fire

1. Empty the petrol tank with a petrol suction pump if available.
2. Alternatively, start the engine and let it run until any remaining petrol has been used up.
3. Change the oil at the end of every season. See removing oil within this manual.
4. Clean the cooling fins of the cylinder and the housing
5. Be sure to clean the entire machine to protect the paint.
6. Store the machine in a well-ventilated place.
7. Remove the spark plug. Use an oil can to fill approx. 20 ml oil into the combustion chamber. Operate the starter to evenly distribute the oil in the combustion chamber. Replace the spark plug.
2. Store in a dry, clean and frost-protected place, out of reach of unauthorised persons.



CAUTION

The engine must have completely cooled down before storing.

NOTE:

When storing any type of power equipment in an unventilated or material storage shed,

- **Care should be taken to rust-proof the equipment. Using a light oil or silicone, coat the equipment, especially cables and all moving parts.**



INSTRUCTION MANUAL

- Be careful not to bend or kink cables.
- If the starter rope becomes disconnected from rope guide on handle, disconnect and ground the spark plug wire. Depress the blade control handle and pull the starter rope out from engine slowly. Slip the starter rope into the rope guide bolt on handle.

DO NOT STORE fuel for longer than 30 days. Fuel can become stale and cause damage to the engine carburetor, which is not covered by the machines manufacturer's warranty.

TRANSPORT

- Empty the petrol tank
- Always let the engine run until it has used up the remainder of petrol in the tank.
- Empty the engine oil from the warm engine.
- Remove the spark plug boot from the spark plug.
- Clean the cooling fins of the cylinder and the housing.
- Use the original packaging to ship whenever possible.

TROUBLE SHOOTING

PROBLEM	POSSIBLE CAUSES	REMEDIAL ACTION
Engine does not start	Battery not charged	Press the battery charge button to show battery charge indicator. Charge the battery as necessary.
	Fuel tank is empty.	Fill tank with fuel: refer to ENGINE OWNERS MANUAL.
	Spark plug loose.	Tighten spark plug.
	Spark plug wire loose or disconnected from plug.	Install spark plug wire on spark plug.
	Spark plug gap is incorrect	Set correct gap between electrodes.
	Spark plug is defective.	Install new, correctly gapped plug.
	Carburettor is flooded with fuel.	Remove air cleaner element and pull starter rope continuously until carburetor clears itself and install air cleaner element.
Old Fuel	Fuel becomes stale after 30 days and causes residues to build and 'gunk up' the carburettor. Change fuel with fresh. If problem persists consult local Approved Service Dealer.	
Motor speed drops off	Air filter clogged	Clean air filter: refer to relevant section in manual
Will not collect	Blade blunt	Grass from the blade to the collector is caused by the rotation of the blade and its cutting edge. A blunt blade will cause poor grass distribution to the collector.
	Mulch plug fitted	Lift rear discharge cover and remove the mulch plug from the rear discharge chute.
	Grass too wet	Wet or damp grass will not disperse into the collector, due to its wetness and ability to clump together. Allow grass to dry before cutting.



REPLACEMENT PARTS

Please find on the following pages, parts lists and drawings for your machine. Should you require a replacement part, please call our Spares Team on 01793 333212, option 1 for assistance.

Webb recommends the use of Handy Parts oils, fuel additives, nylon lines pre-packed parts for all of our machine.





INSTRUCTION MANUAL

AIR FILTER

A dirty air filter will block air flow into the carburettor. To prevent carburettor malfunction, service the air filter regularly. Service more frequently when operating the engine in extremely dusty areas.

1. Remove the air filter cover. Remove the filter. Carefully check both for holes and tears and replace it if damaged.
2. **Foam element:** clean in warm soapy water, rinse and allow to dry thoroughly or clean in high flash-point solvent and allow to dry. Dip the element in clean engine oil and squeeze out all the excess. The engine will smoke during initial start-up if too much oil is left in the foam.



WARNING

Never use gasoline or low flash point solvents to clean the air cleaner element. A fire or explosion could occur.



CAUTION

Never run the engine without air filter or rapid engine wear will be the result.

SPARK PLUG

To ensure proper engine operation, the spark plug must be properly gapped and free of deposits.

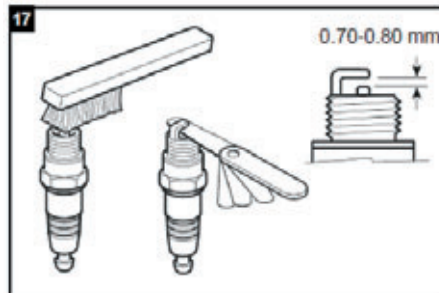
1. Do not attempt to remove the plug from a hot engine in order to avoid possible damage to the threads.
2. Remove the spark plug cap.



WARNING

If the engine has been running, the exhaust (muffler) will be very hot. Be careful not to touch the exhaust (muffler).

3. Visually inspect the spark plug. Discard it if the insulator is cracked or chipped.
4. Measure the plug gap with a feeler gauge. The gap should be 0.7-0.8mm (0.028-0.031 in), correct as necessary by bending the side electrode.



5. Attach the plug washer, thread the plug in by hand to prevent cross-threading.
6. When mounting a new spark plug, you should screw 1/2 more thread with the wrench after the washer is compressed. If you are mounting an old one, you should only screw 1/8-1/4 more thread.



CAUTION

The spark plug must be securely tightened. An improperly tightened plug can become very hot and possibly damage the engine. Never use a spark plug with an improper heat range.

CLEANING



CAUTION

Do not use a water hose or pressure washer to clean the engine. Water can damage the engine or contaminate the fuel system.

- Keep your machine clean. Thoroughly clean the machine at the end of each use, paying attention to stones or mud in and around the tines.
- Clean the engine regularly with a cloth or brush. Keep the cooling system (blower housing area) clean to permit proper air circulation which is essential to engine performance and life. Be certain to remove all dust, dirt and combustible debris from exhaust area.

STORAGE & TRANSPORT

The following steps should be taken to prepare your machine for storage.

STORING THE LAWNMOWER FOR SHORT PERIODS

The lawnmower can be stored for short periods of time (less than 15 days) without performing any storage maintenance. Before placing the lawnmower into storage always carry out the following:

1. Allow the engine to fully cool.
2. Ensure the grass collector is empty.
3. Clean all debris from under the mower deck.
4. Store the lawnmower on a flat and level surface with the mower upright.
5. Store in a safe place which is not accessible by children or people who are not familiar with operation.

STORING THE LAWNMOWER FOR EXTENDED PERIODS

If the lawnmower is to be placed into storage for more than 15 days, storage maintenance must be performed on the lawnmower. If the following steps are not carried out, when you next operate the lawnmower it may not start correctly and may need to be serviced.



CAUTION

Do not empty the petrol tank in enclosed areas, near fire or when smoking. Petrol fumes can cause explosions and fire

1. Empty the petrol tank with a petrol suction pump if available.
2. Alternatively, start the engine and let it run until any remaining petrol has been used up.
3. Change the oil at the end of every season. See removing oil within this manual.
4. Clean the cooling fins of the cylinder and the housing
5. Be sure to clean the entire machine to protect the paint.
6. Store the machine in a well-ventilated place.
7. Remove the spark plug. Use an oil can to fill approx. 20 ml oil into the combustion chamber. Operate the starter to evenly distribute the oil in the combustion chamber. Replace the spark plug.
2. Store in a dry, clean and frost-protected place, out of reach of unauthorised persons.



CAUTION

The engine must have completely cooled down before storing.

NOTE:

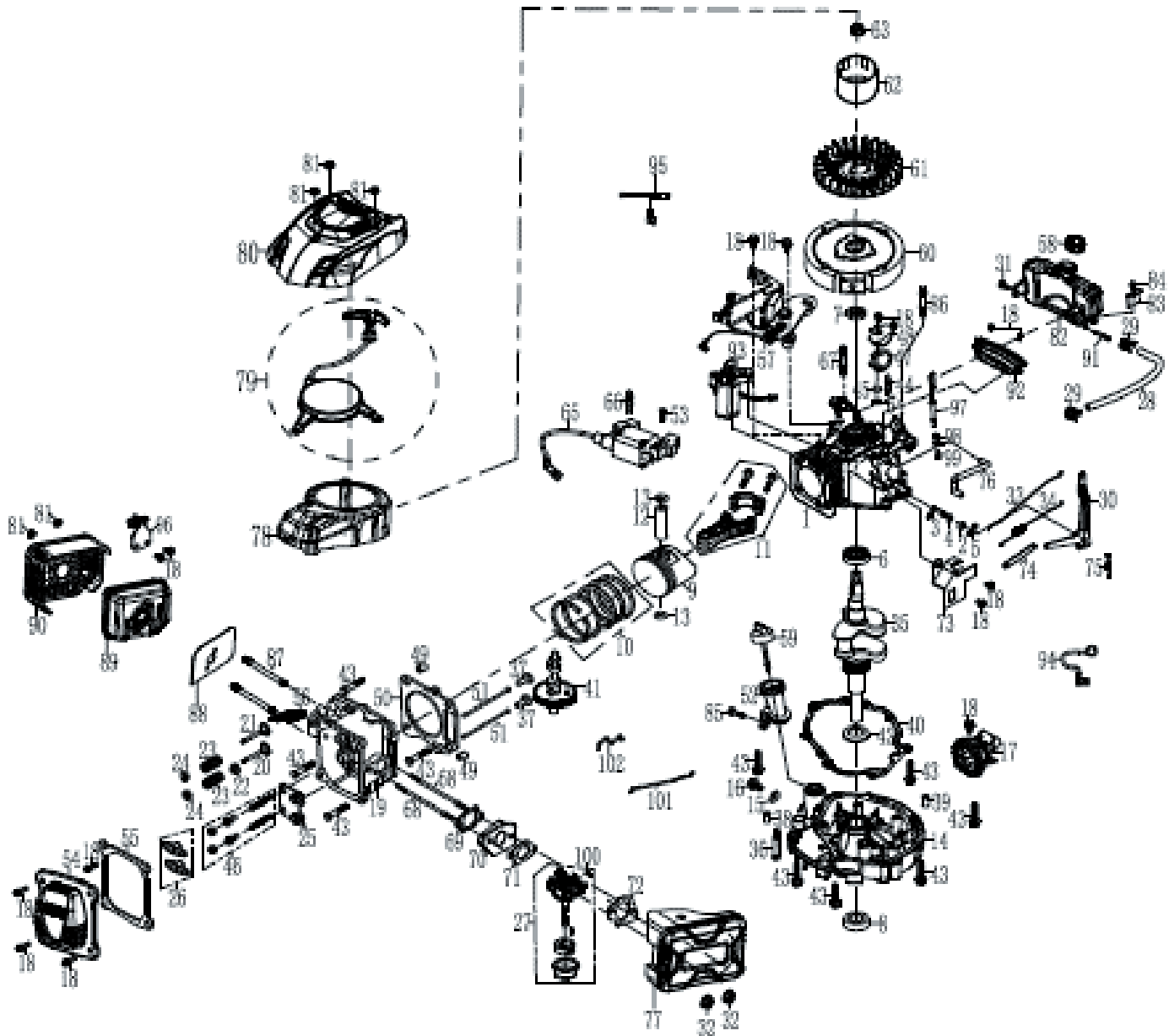
When storing any type of power equipment in an unventilated or material storage shed,

- Care should be taken to rust-proof the equipment. Using a light oil or silicone, coat the equipment, especially cables and all moving parts.



INSTRUCTION MANUAL

PARTS DIAGRAM - DVO173



Item No	Factory Part No.	Webb Description	Qty
1	WE156-300207	Crankcase	1
2	WE151-93520	Governor Arm Shaft Seal	1
3	WE156-293901	Governor Arm Shaft	1
4	WE151-96808	Governor Arm Shaft Washer	1
5	WE151-243902	Lock Pin	1
6	WE156-93009	BALL BEARING	1
7	WE152-93522	Crankshaft Oil Seal 1	1
8	WE156-93521	Oil Seal	1
9	WE156-301204	Piston	1
10	WE156-301601	Piston Ring Set	1
11	WE156-301501	Connecting Rod Assembly	1
12	WE156-245503	Piston Pin	1
13	WE156-241301	Piston Clip	2
14	WE156-300109	Crankcase Cover Assembly	1
15	WE151-94007	Drain Bolt Washer	1
16	WE151-91816	Drain Bolt	1
17	WE156-314301	Governor Assembly	1
18	WE156-91325	M6x12 Bolt	15
19	WE156-301005	Cylinder Head	1
20	WE156-301701	Intake Valve	1
21	WE156-305901	Exhaust Valve	1
22	WE156-291801	Intake Valve Returner	1
23	WE156-246001	Valve Spring	2
24	WE156-241801	Valve Spring Seat	2
25	WE156-302201	Push Rod Guide Plate	1
26	WE152-292101	Rocker Arm	2
27	WE156-302833	Carburettor Assembly	1
28	WE156-95471	Fuel Pipe	1
29	WE152-94408	Fuel Pipe Clamp	2
30	WE151-314001	Governor Arm	1
31	WE156-91330	M6x20 Bolt	1
32	WE151-90038	M6 Lock Nut	2
33	WE156-302701	Governor Rod	1
34	WE156-304201	Throttle Return Spring	1
35	WE156-300304	Crankshaft	1

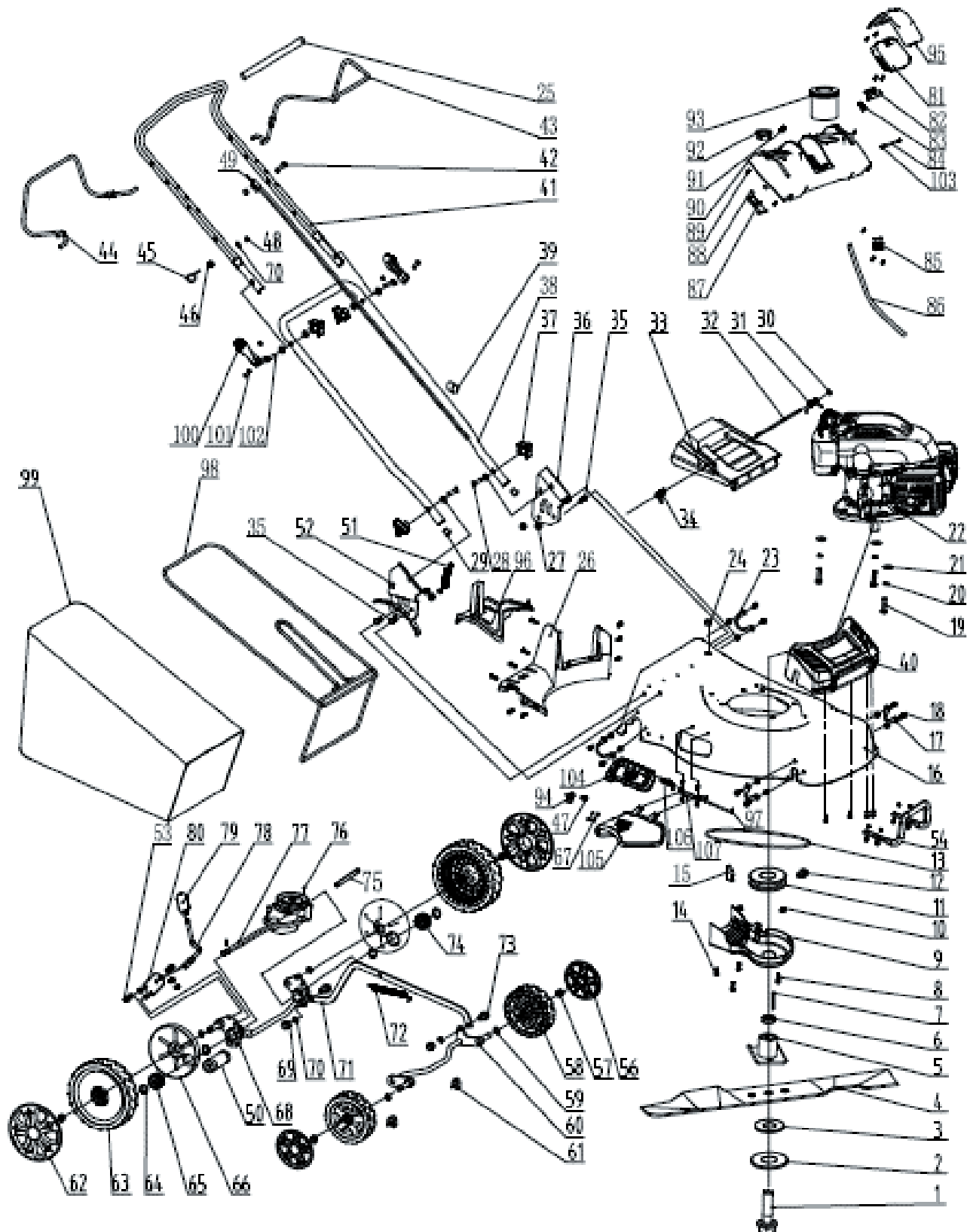
Item No	Factory Part No.	Webb Description	Qty
36	WE156-300601	Oil Defence Pipe	1
37	WE156-296102	Valve Lifter	2
38	WE156-240903	Case Cover Dowel Pin 1	1
39	WE156-240902	Case Cover Dowel Pin 2	1
40	WE156-96110	Case Cover Gasket	1
41	WE156-302002	Camshaft Assembly	1
42	WE151-94225	Crankshaft Washer	1
43	WE156-91352	Bolt M8x50	10
44	WE156-290607	Breather Filter	1
45	WE151-300605	Circular Plate	1
46	WE152-91818	Rocker Arm Bolt Assembly	2
47	WE156-96210	Breather Chamber Gasket	1
48	WE156-300604	Breather Chamber Cap	1
49	WE156-240905	Dowel Pin	2
50	WE156-96113	Cylinder Head Gasket	1
51	WE156-241901	Push Rod	2
52	WE156-295608	Oil Filler Extension	1
53	WE156-91334	M6x30 Bolt	1
54	WE156-291103	Cylinder Head Cover Assembly	1
55	WE156-96103	Cylinder Gasket	1
56	WE151-97109	Spark Plug	1
57	WE156-305304	Brake Assembly	1
58	WE151-293601-055	Fuel Cap Assembly	1
59	WE156-295619-138	Dipstick	1
60	WE156-300407	Flywheel Assembly	1
61	WE151-304602	Recoil Starter Fan	1
62	WE151-304501	Starter Pulley	1
63	WE151-90003	M14 Nut	1
64	WE151-310606	Breather Valve Spring	1
65	WE156-97531	Ignition Coil Assembly	1
66	WE151-91033	Ignition Coil Bolt Stud	1
67	WE152-91031	Ignition Stud	1
68	WE156-91029	Stud Bolt	2
69	WE156-96115	Intake Gasket	1
70	WE156-302301	Carburettor Insulator	1

Item No	Factory Part No.	Webb Description	Qty
71	WE156-96116	Carburettor Gasket	1
72	WE152-96130	Air Filter Gasket	1
73	WE156-294409	Upper Shroud Assembly	1
74	WE151-599601	Metal Clip	1
75	WE156-294108	Governor Spring	1
76	WE156-95621	Breather Tube	1
77	WE156-292915	Air Filter Housing	1
78	WE156-306305	Recoil Housing	1
79	WE151-294813-053	Recoil Assembly	1
80	WE151-294909-053	Engine Cover	1
81	WE151-90035	Flange Hex Bolt M6	5
82	WE151-293206-055	Fuel Tank	1
83	WE151-300505	Shroud	1
84	WE151-92007	M4x8 Screw	1
85	WE156-91345	M8x20 Bolt	1
86	WE156-91025	Recoil Stud Bolt	1
87	WE156-91023	Stud Bolt	2
88	WE155-96168	Exhaust Gasket	1
89	WE151-313701	Muffler Assembly	1
90	WE155-292506	Muffler Shield	1
91	WE151-299901	Fuel Filter	1
92	WE156-300503	Deflector	1
93	WE156-97433	Starter Motor Assembly	1
94	WE156-296404	Offline	1
95	WE156-296419	Battery Wiring Unit	1
96	WE156-303919	Bracket	1
97	WE156-309911	Leaf Blade	1
98	WE156-309913	Rotor	1
99	WE156-92014	Bolt ST4.2x13	1
100	WE156-329919	Clamp	1
101	WE156-3062013	Choke Rod	1
102	WE156-309920	Tie Rod	1



INSTRUCTION MANUAL

PARTS DIAGRAM - WER460ES (1938221001)



Item No.	Webb Part No.	Factory Description	Qty
1	WE153-91221	Bolt 3/8-24UNFx38	1
2	WE153-94042	Flat Washer	1
3	WE153-602001	Blade Washer	1
4	WE158-602002	Blade (460mm)	1
5	WE153-602003	Blade Adapter	1
6	WE158-602004	Blade Adapter Bush	1
7	WE153-296510	Key	1
8	WE154-91304	Bolt M6x16	2
9	WE158-606109	Belt Cover	1
10	WE153-90060	Nut M6	10
11	WE154-606011	Pulley	1
12	WE154-91405	Bolt M6x7	1
13	WE158-606088	Belt VZ762	1
14	WE154-92139	Screw KAL50x12	11
15	WE154-296501	Key	1
16	WE158-601168-333	Cutting Deck	1
17	WE154-606003	Front Wheel Shaft Retaining Plate	2
18	WE150-91329	M6X16 Bolt	8
19	WE149-91347	M8x30 Bolt	3
20	WE149-94040	Washer 8.1x2.1	3
21	WE149-94057	Washer Ø8	3
22		Engine DVO173E	1
23	WE154-606009	Rear Wheel Shaft Retaining Plate	2
24	WE154-601005	Cable Bush	1
25	WE153-605007-053	Soft Grip (Come's with 41)	1
26	WE158-604004	Cutting Deck Back Panel	1
27	WE149-90059	Nut M8	4
28	WE153-91868	Bolt M8x45	2
29	WE153-605006	Stem	2
30	WE153-94036	Circlip Ø5	3
31	WE153-604016	Left Torsional Spring	1
32	WE158-604039	Collector Flap Axle	1
33	WE158-604090	Rear Cover	1
34	WE153-604045	Right Torsional Spring	1
35	WE158-91343	Bolt M8x16	4
36	WE158-601098	Left Handle Support	1

Item No.	Webb Part No.	Factory Description	Qty
37	WE160-605098-198	Triangle Knob	4
38	WE158-605005	Lower Handle	1
39	WE153-605221	Cable Clip	1
40	WE160-601094	Front Bumper	1
41	WE160-605039	Upper Handle (Come's with 25)	1
42	WE153-91870	Bolt M6x35	1
43	WE153-605010-136	OPC/Brake Lever	1
44	WE154-605015-136	Drive Lever	1
45	WE153-605009	Rope Guide Support	1
46	WE153-90016	Nut M6	1
47	WE158-604108	Side Discharge Lock Spring	1
48	WE153-90061	Nut M6	2
49	WE160-605176	Drive & Brake Cable	1
50	WE154-606160	Nylon Collar	2
51	WE154-606016	Return Spring	1
52	WE158-601099	Right Handle Support	1
53	WE153-91404	Bolt M6x14	4
54	WE160-601049-206	Bumper Bar	1
55	WE160-92084	Bolt ST3.0*12	4
56	WE153-606001-198	Wheel Cover (7")	2
57	WE149-90057	M10 Nut	4
58	WE153-606002	Wheel (7")	2
59	WE153-94046	Flat Washer	4
60	WE158-606005	Front Axle	1
61	WE154-606004	Front Axle Hoop	2
62	WE153-606007-198	Wheel Cover (8")	2
63	WE154-606006	Wheel (8")	2
64	WE154-94049	Circlip	4
65	WE154-606013	Right Drive Cog	1
66	WE154-606008	Inner Wheel Cover (8")	2
67	WE160-604103	Side Discharge Lock	1
68	WE158-606158	Rear Axle	1
69	WE153-90058	Nut M6	6
70	WE149-94041	Washer Ø8.4x24x2	3
71	WE158-603004	Height Adjustment Bar	1
72	WE153-603062	Height Adjuster Spring	1

Item No.	Webb Part No.	Factory Description	Qty
73	WE153-91867	Bolt	2
74	WE154-606012	Left Drive Cog	1
75	WE154-599601	Wire Harness Clip	1
76	WE158-606021	Gearbox Gear Pin	2
77	WE158-606083	Gearbox	1
78	WE153-603037	Height Adjuster Lever	1
79	WE159-603003	Height Adjuster Handle Cover	1
80	WE153-603002	Height Adjuster Plate	1
81	WE12VB2	12v Lithium Battery 2Ah	1
82	WE160-605070	Battery Socket	1
83	WE160-605142	Board Spring	1
84	WE160-605072	Board Axle	1
85	WE160-605035	Cord Clamp	1
86	WE160-605201	Wiring Harness	1
87	WE160-605069	Battery Limit Block	1
88	WE160-605081	Magnet	2
89	WE160-92085	Screw ST6.3*32	4
90	WE160-605065	Instrument Panel	1
91	WE160-605082	Limit Spring	1
92	WE160-605075	Start Button	1
93	WE160-605067	Drinks Holder	1
94	WE158-604102	Side Discharge Lock Buckle	1
95	WE160-605066	Battery Cover	1
96	WE158-601004	Mulch Plug	1
97	WE158-604010	Side Discharge Axle	1
98	WE158-604046-010	Collection Bag Frame	1
99	WE158-604047-057	Collection Bag	1
100	WE159-605097-198	Quick Release Handle	2
101	WE159-91873	Fixed Pin Ø6	2
102	WE159-91876	Fixed Bolt M8x68	2
103	WE160-94062	Open Ring	2
104	WE158-604009	Side Discharge Cover	1
105	WE158-604008	Side Discharge Chute	1
106	WE158-604011	Side Discharge Spring	1
107	WE158-604012	Side Discharge Bracket	1



EC DECLARATION OF CONFORMITY

Designation: Petrol Electric Start Self-Propelled 460mm Lawnmower

Model(s): WER460ES

Product No.: 1938221001

Type/Serial No. As per rating label on machine

Engine Displacement: 173 cm³

Rated Engine Power: 3.3kW

Rated Engine Speed: 2800rpm/min

Complies with the following directives:

Machinery Directive 2006/42/EC

The conformity assessment procedure followed was in accordance with

EN ISO 5395-1:2013/A1:2018; EN ISO 5395-2:2013/A2:2017

Outdoor Noise Directive 2000/14/EC & 2005/88/EC

Guaranteed Noise Power Level L_{WA}: 96 dB(A) According to 2000/14/EC

Emission Sound Pressure Level L_{PA}: 82.3 dB(A)

Vibration a_{hv}: 7.38 m/s² - uncertainty K: 1.5 m/s²

Electromagnetic Compatibility Directive 2014/30/EC

The conformity assessment procedure followed was in accordance with

EN ISO 14982:1998 6.3 and 6.6

Notified Body:

TÜV SÜD Product Service GmbH

Addresses:

Ridlerstraße 65, 80339 München, Germany

Authorised signatory and technical file holder

Date: 20/09/2019

Signature:

A handwritten signature in black ink, appearing to read "S Belcher", written over a horizontal line.

Name: Mr Simon Belcher

Position: Chairman

Company: Handy Distribution Ltd

Address: Murdock Rd, Swindon, Wiltshire, SN3 5HY.





INSTRUCTION MANUAL

This Service Book is provided with your Webb, to help you look after your purchase to our recommendations and enable you to take advantage of the conditional manufacturer domestic warranty*.

Present this service book to your authorised Webb repair dealer, whenever a service or a warranty appraisal is required.

The booklet is applicable to the following products, in the UK only:

- Ride On Lawn Tractors
- Cylinder Lawnmowers
- Petrol Rotary Lawnmowers
- Petrol Hand Held Range

Please register your machine using the following pages or at www.webbgardenpower.co.uk. By registering your machine, you agree to maintain the machine in accordance with the service schedules specified in this manual and services duly recorded. (Not applicable for Webb electric handheld machines). You may be asked to produce this booklet as proof of servicing in the event of a claim. Proof of purchase should also be kept as a reference.

Ensure you have the following information available from your machine product label. The two examples below can be found on your machine:



1. Model Number

2. Serial & Product Number

Please complete using BLOCK CAPITALS.
Sections marked* must be completed to validate Warranty.

1. Users Statement of Warranty

Each new machine is warranted against defective material or assembly of material under normal usage. The warranty applies to the original purchaser, is not transferable and covers faulty parts and the labour involved in replacing and repairing those parts, which are of original manufacture.

2. Period of Warranty

Webb (excludes Electric Handheld) & Webb Pro, 2 year conditional warranty from the original date of sale to the first domestic user.

Webb Electric Handheld & Dynamic, Legacy & Heritage 1 year warranty from the original date of sale to the first domestic user.

90 days from the original date of sale to the professional/commercial or for hire user.

Engine warranty as per the engine manufacturer's warranty, which will be supplied with the machine.

90 days from the original date of sale for Replacement Spare Parts

All machines' must be serviced within the first 14 months from the original date of purchase, to qualify for a second year parts & labour warranty, details of the service must be recorded in the service record within this manual.

A reduced warranty period of 90 days applies to those items which are subject to normal wear and tear and in normal use, will need replacement or adjustment.

These items are chargeable after 90 days of ownership.

Filters
Tyres / Wheels
Drive chains and belts
Brake & clutch friction components
Control cable & starter cords
Fluids & lubricants
Spark plugs
Blades (Lawnmowers & Brushcutters)
Cutter bars (Hedgecutters)
Drive & clutch cable surfaces
Nylon Lines (Line Trimmers)
Carburettor cleaning
Bearings
Bushes
Electric cable
Grass collectors

3. Not covered by this warranty

(a) The warranty policy does not cover any depreciation or damages caused by ordinary wear, rusting or corrosion, lack of correct maintenance or operation, misuse, abuse, lack of transportation or accident.

(b) The warranty policy does not cover any costs necessary for the standard periodic maintenance services instructed by the operators manual, or service parts replacement which would include oil, filters, tyres, belts, brake linings, fuses, blades, seals and other service parts unless it can be proven that the item has evidence of faulty manufacture.

(c) The warranty policy will not cover failure or damage caused as a result of parts or accessories being modified without the written approval of GJ Handy & Co Ltd.

(d) The warranty policy will not cover the unit if non-genuine parts have been fitted and as a result damage has occurred to the unit.

(e) The warranty policy is non-transferable and is only applicable to the original purchaser.

4. Disclaimer

(a) This warranty is only a remedy for defect of products. GJ Handy & Co Ltd will never warranty in terms of the merchantability or the fitness for a particular purpose.

(b) No person is authorised to make any warranties, representations or promises, expressed or implied, on behalf of



INSTRUCTION MANUAL

GJ Handy & Co Ltd, or to modify the terms conditions or limitation of this warranty policy in any way.

(c) Neither GJ Handy & Co Ltd nor any company affiliated with GJ Handy & Co Ltd shall be liable in any event or manner whatsoever for incidental or consequential damages or injuries, including, but not limited to, loss of crops, loss of profit, out of pocket expenses or profits, rental of substitute equipment or other commercial losses.

5. General

(a) Most warrantable failures show up within the first few weeks of use. These failures are usually straightforward and warranty assessment is relatively easy.

(b) Failures relating to cutter decks and belts need careful investigation, as the cause may not always be straightforward. Look for damage to blades and pulleys especially when the cutter belt or blade boss have snapped or cracked as this could be due to impact damage.

(c) Customers should always refer to the operator/instruction manual when any disputed problem arises, you will find most areas covered within the manual.

Protecting your machine

Maintenance

Regular maintenance of your Webb machine is essential to ensure it operates, safely, efficiently and therefore reducing the environmental impact.

It is the owner's responsibility to ensure that their Webb machine is maintained at specific intervals. Any approved Webb service dealer can undertake a service, which are specialised in our products and will be aware of your particular machine and any technical updates which will save valuable time & money.

If you are using your machine in dry, dusty or high temperatures, you will need to service the machine more regularly.

Fuel (if applicable)

Due to ongoing efforts by fuel companies to reduce emissions, unleaded petrol will oxidize & deteriorate in storage overtime, leaving residue from detergent components.

Fuel deterioration problems may occur when petrol is stored for over 30 days. If you are planning to store fuel for over 30 days, we recommend you add Handy Parts Sure-Start fuel stabilizer to fresh fuel after purchasing. Sure-Start cannot reconstitute stale fuel.

Storage

When storing your machine for an extended period, we do recommend that you follow the instructions of engine instruction manual.

Always store the fuel in a clean, approved and sealed container. If the container is steel, ensure it is not corroded. If the container is not filled to its recommended capacity, air can accelerate fuel deterioration.

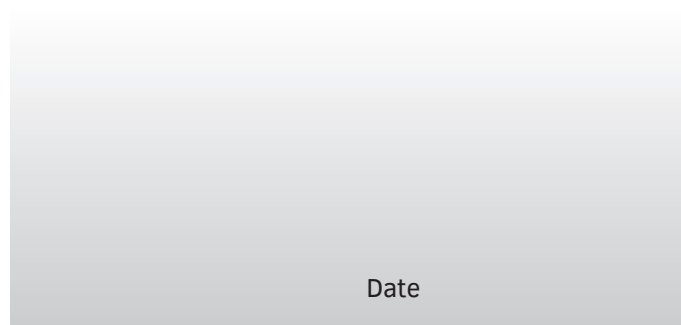
Always store fuel away from direct sunlight, in a dark, cool environment.

Your servicing Webb approved dealer will stamp & date the below relevant sections, when the correct service actions have been completed.
PLEASE ENSURE THE SERVICE BOOK IS AVAILABLE FOR THE DEALER, DURING SERVICE WORK.

1st Service

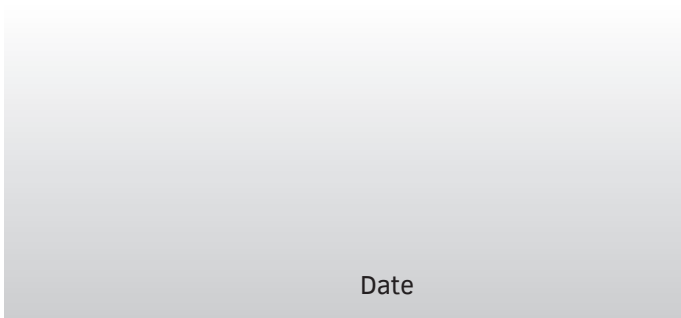
This must be stamped by an approved service dealer to qualify for a free second year warranty.
(Excluding the Webb Electric Handheld machines)

12 Months



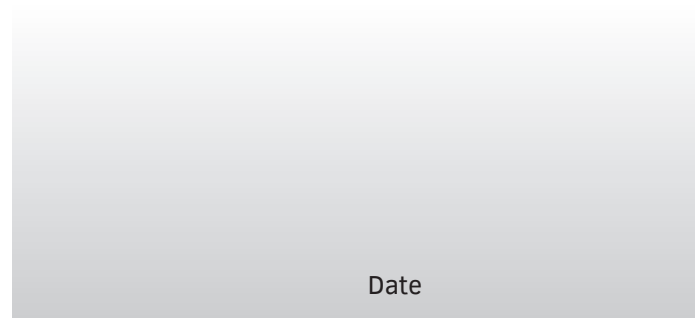
Date

24 Months



Date

36 Months



Date

Service Record

48 Months

Date

60 Months

Date

72 Months

Date

84 Months

Date

96 Months

Date

108 Months

Date

120 Months

Date

132 Months

Date

If you have registered online, this form is not necessary.
PLEASE POST THIS COPY TO THE ADDRESS OVERLEAF

Product Information (* Compulsory)

*Model No:	
*Product No:	
*Serial No:	
*Date of Purchase:	

Personal Information (* Compulsory)

*Title		*Forename		*Surname	
*House Number		*House Name			
*Address 1					
*Address 2					
*Town					
*County					
*Postcode					
Home Tel		Mobile Tel			
Email					

Age	18 to 25	26 to 35	36 to 45	46 to 60	61 to 80	81 & over
*Usage	Domestic Use		Commercial/Professional/Hire Use			

*Dealer Stamp (if available)



*Selling Retailer (If dealer stamp not available)

*Dealer Name	
*Dealer Address	
*Date of Purchase	

Webb Lawnmowers privacy commitment to machine owners.
The information supplied, helps us to improve the products & services we provide, including information that we believe is relevant to your and/or your machine. We value your trust by giving us this information about yourself and we are committed to protecting your privacy.

Webb, its associated companies, authorised dealers or third parties working on our behalf may wish to contact you regarding **PRODUCT RECALLS** specific to your machine. Please advise how you wish to be contacted for this specific reason only:

Post Telephone Email

From time to time Webb, its associated companies, authorised dealers or third parties working on our behalf may wish to contact you regarding our products, services, offers or just opinions, which may be used for marketing, research or analysis purposes.
If you wish to be contacted by any of the following methods, please tick the relevant boxes:

Post Telephone Email

You may give Webb Lawnmowers notice in writing at any time that you no longer wish to receive direct marketing communications

Webb Lawnmowers
Murdock Road
Dorcan
Swindon
Wiltshire
SN3 5HY