



INSTRUCTION MANUAL

LOG SPLITTER TABLE

MODEL NO: THLS-TABLE -- PRODUCT NO: 1938258001
FITS THLS-4, THLS-4G, THLS-6, THLS-6G

EN - ORIGINAL INSTRUCTIONS

ASSEMBLY REQUIRED - MINIMUM TWO PERSONS
SAVE THESE INSTRUCTIONS
SPARES & SUPPORT: 01793 333212

FOR YOUR SAFETY

WARNING: ENSURE THE SAFETY INSTRUCTIONS OF YOUR LOG SPLITTER ARE ADHERED TO AT ALL TIMES.

Please read & understand this manual, paying attention to the safety instructions, before use.

Incorrect use of the product could put the operator or machine in danger.

Whilst every effort has been made to ensure the accuracy of information contained in this manual, our policy of continuous improvement determines the right to make modifications without prior warning.

Images used are for illustration purposes only.

Copyright Notice

Copyright © Handy Distribution

Permission is granted to reproduce this publication for personal & educational use only.

Commercial copying, redistribution, hiring or lending is prohibited.

No part of this publication may be stored in a retrieval system or transmitted in any other form or means without written permission from Handy Distribution.

In all cases this copyright notice must remain intact.

CONTENTS

SPECIFICATION

IMPORTANT INFORMATION

GENERAL SAFETY INSTRUCTIONS

SET UP & PREPARATION FOR OPERATION

ASSEMBLY

OPERATION

MAINTENANCE & STORAGE

TROUBLE SHOOTING

WARRANTY

ASSEMBLY IS REQUIRED - MINIMUM TWO PERSONS

- This product requires assembly before use.
- See "Assembly" section for instructions.
- Because of the weight and/or size of the machine, it is recommended that another adult be present to assist with the assembly.
- Inspect all components closely upon receipt to make sure no items are missing or damaged.

IF YOU REQUIRE ASSISTANCE WITH REGARDS TO THE CONTENTS OR OPERATION OF THE MACHINE, PLEASE CONTACT US:

TEL: 01793 333212

EMAIL: CUSTOMERSERVICE@HANDYDISTRIBUTION.CO.UK

OPENING HOURS WEEKDAYS: FEB TO OCT 8:30AM - 5:30PM / NOV TO JAN 8:30AM - 5:00PM

SPECIFICATION

The manufacturer reserves the right to change the product specification and livery according to continued product improvements.

Model	THLS-TABLE
Product No.	1938258001
Overall Dimensions (cm)	L 111 x W 61 x H 73
Max Weight	100kg (220lb)
Suitable For	THLS-4, THLS-4G, THLS-6, THLS-6G

IMPORTANT INFORMATION

INTENDED USAGE

The Log Splitter Table is designed for use with The Handy THLS-4, THLS-4G, THLS,6 & THLS-6G log splitters. Other models may be compatible; however, it is the user's responsibility to ensure that the THLS-TABLE is compatible with your chosen log splitter. Check with the log splitter manufacturer for compatibility. For use in private gardens, but not in public facilities, parks or sports grounds and not for agricultural or forestry use. Generally acknowledged accident prevention regulations and enclosed safety instructions must be observed. Only perform work described in these instructions for use, any other use is incorrect. The manufacturer will not assume responsibility for damage resulting from such use.



WARNING

Read this instruction manual carefully before operation. Make sure that you are familiar with the controls and properly operate the machine. Following these instructions can reduce the risk of personal injury.

IF NOT USED PROPERLY THIS MACHINE CAN BE DANGEROUS!













This machine can cause serious injury to the operator and others, the warning and safety instructions must be followed to ensure reasonable safety and efficiency in using this product. The operator is responsible for following the warning and safety instructions in this manual and on the machine. Never use the product unless the components are correctly positioned and operational.

TRAINING

Read the instructions carefully: Be familiar with the controls and the proper use of the equipment. Never allow children or people unfamiliar with these instructions to use the product. Local regulations can restrict the age of the operator. Keep in mind that the operator or user is responsible for accidents or hazards involving the machine that occur to other people or their property.

GENERAL SAFETY INSTRUCTIONS

It is important you read & understand the instruction manual & labels affixed to the machine. Learn its application & limitations, as well as the specific potential hazards. Retain these instructions for future reference. The operator is responsible for following the warnings & instructions in this manual & on the product.

	Read & understand the instruction manuals for the table and log splitter used with it before operating. Failure to follow instructions could result in death or serious injury.		DANGER Risk of Slicing. Keep hands out of the way of all moving parts of the log splitter.
	Wear protective gloves to protect your hands		Check your machine before using. Keep guards in place and in working order. Frequently check to see that foreign objects are removed before using. Replace damaged, missing or failed parts before operating.
	Whenever the machine is in use, eye protection must be worn to safeguard against flying objects. Hearing protection must also be used to protect the operators hearing.		Before making adjustments, changing parts, cleaning, or working on the table or log splitter, always disconnect the power.
	Wear protective footwear		Keep all bystanders & animals at least 10 metres away from the machine during operation. If approached, stop the machine immediately.
	Safety alert symbol. Used to alert you to potential personal injury hazards. Obey all safety messages that follow this symbol to avoid possible injury.		Indicates an imminently hazardous situation which, if not avoided, will result in serious injury.
	Indicates a potentially hazardous situation which, if not avoided, could result in serious injury.		Indicates a potentially hazardous situation which, if not avoided, may result in minor or moderate injury.
CAUTION	Used without the safety alert symbol indicates a potentially hazardous situation which, if not avoided, may result in property damage.		

IMPORTANT SAFETY WARNINGS



TO REDUCE RISK OF INJURY:

Before use be sure everyone using this product reads and understands all safety instructions and other information contained in this manual.

The warnings, cautions, and instructions outlined in this instruction manual cannot cover all possible conditions or situations that may occur. It must be understood by the operator that common sense and caution are factors which cannot be built into this product and must be supplied by the operator.

STAY ALERT

Do not use whilst under the influence of drugs, alcohol, or any medication that could affect your ability to use it properly. Do not use this machine when you are tired or distracted from the job at hand. Always be aware of what you are doing. Use common sense.

SMALL COMPONENTS

Contains small components that could be a choking hazard if swallowed. Keep these items away from children.

EVENLY DISTRIBUTE YOUR LOAD

Always distribute load evenly over surface of the table, do not exceed maximum weight limit of 100kg.

USERS, BYSTANDERS AND CHILDREN

Do not allow anyone to sit, stand or lay on the table. Do not allow children to play on, stand upon or climb on the table. Never allow children or people unfamiliar with these instructions to use the table. Local regulations can restrict the age of the operator. Keep unauthorised persons a safe distance away from the machine (a minimum of 10 metres) when in use with a log splitter. If approached, stop the log splitter immediately.

AVOID DANGEROUS CONDITIONS

Work in daylight or in good artificial light; always be sure of your footing. Never operate on uneven surfaces and use extreme caution when reversing or pulling the machine towards you; do not put hands or feet near or under rotating or moving parts.

INSPECT YOUR MACHINE

Check all screws, bolts, nuts, and washers for tightness before each use, especially those securing. Vibration during use, may cause these to loosen. Form a habit of checking to see that all other tools/equipment are removed from the working area before operating. Replace damaged, missing or failed parts before using. Warning labels carry important information. Replace any missing or damaged warning labels.

DRESS PROPERLY

Be careful of loose clothing and other accessories (watches, necklaces etc.) which can be caught in moving parts. Long trousers are advisable. Always wear substantial non slip protective footwear when operating. Never operate barefoot or when wearing sandals. Wear a face or dust mask if the operation is dusty. Wear protective hair covering to contain long hair, preventing it from getting caught in machinery. Eye & ear protection is also a requirement, along with protective gloves for your hands.

DO NOT OVERREACH

Serious injury could occur if the machine is tipped or if moving parts are unintentionally contacted. Do not store anything above or near the machine, where anyone might stand on the machine to reach them.

DO NOT FORCE TOOL

Always work within the rated capacity. Do not use machine for a purpose for which it was not intended.

INSPECT

Before using, always visually inspect to see that the machine is not worn or damaged. Replace worn or damaged elements and bolts in sets, to preserve balance.

MAINTAIN YOUR MACHINE WITH CARE

Clean immediately after use. Keep clean to ensure it operates to its full and safest performance. When maintaining, only the manufacturer's original replacement parts should be used. The use of non-original manufacturer parts may invalidate your warranty.

PROTECT THE ENVIRONMENT

Take left over materials to an authorised collection point or follow the stipulations in the country where the machine is used. Do not discharge into drains, soil or water.

STORE IDLE EQUIPMENT

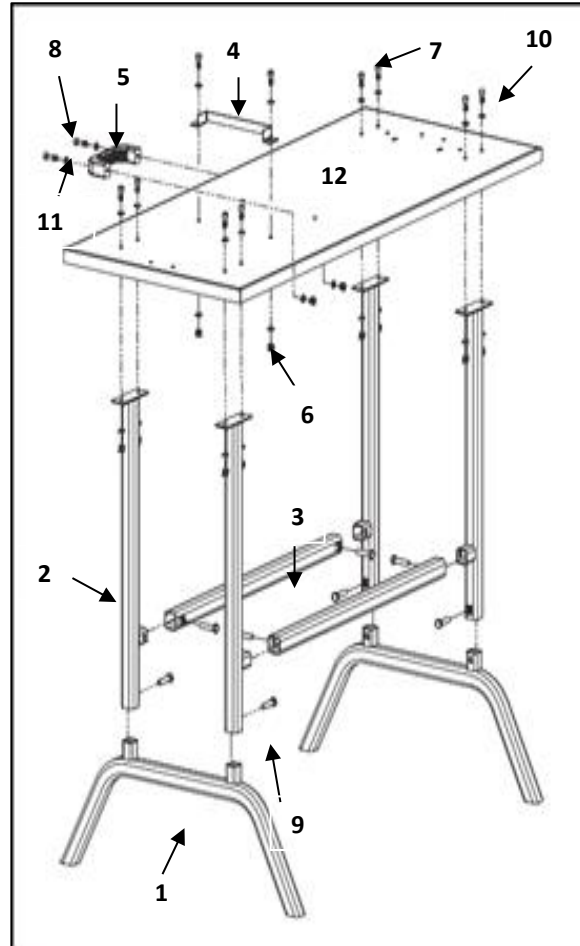
When not in use, the machine should be stored in a dry location. Keep the machine away from children and others not qualified to use it. Keep away from direct sunlight.

SET UP & PREPARATION FOR OPERATION

This product must be assembled correctly before use. Carefully remove the components and any accessories from the carton. Inspect carefully to make sure there are no breakages or missing items during shipping. Do not discard the packing material & carton until you have carefully inspected & satisfactorily operated the product.

Your package will include:

ITEM NO.	PART NO.	DESCRIPTION	QTY
1	TH258-01	U-shape Table Leg	2
2	TH258-02	Upright	4
3	TH258-03	Cross-Strut	2
4	TH258-04	Foot Brace	1
5	TH258-05	Front Handle	1
6	TH258-06	Locknut M6	14
7	TH258-07	Screw M6*16	12
8	TH258-08	Screw M6*25	2
9	TH258-09	Bolt M8*35	8
10	TH258-10	Washer 6	24
11	TH258-11	Large Washer 6	4
12	TH258-12	Tabletop	1



IF YOU REQUIRE ASSISTANCE WITH REGARDS TO THE CONTENTS OR OPERATION OF THE MACHINE, PLEASE CONTACT US:

TEL: 01793 333212

EMAIL: CUSTOMERSERVICE@HANDYDISTRIBUTION.CO.UK

OPENING HOURS WEEKDAYS: FEB TO OCT 8:30AM - 5:30PM / NOV TO JAN 8:30AM - 5:00PM



WARNING

If any parts are damaged or missing do not operate this product until the parts are replaced. Failure to heed this warning could result in serious personal injury.

Do not attempt to modify this product or create accessories not recommended for use with this product. Any such alteration or modification is misuse and could result in a hazardous condition leading to possible serious personal injury.

Read and follow all instructions for assembly and operation. Failure to correctly assemble this equipment could result in serious injury to the user or bystanders, or cause equipment damage.

ASSEMBLY

STEP 1

Prior to any assembly of the log splitter table, ensure your log splitter is unplugged from the electrical power source.

STEP 2



WARNING

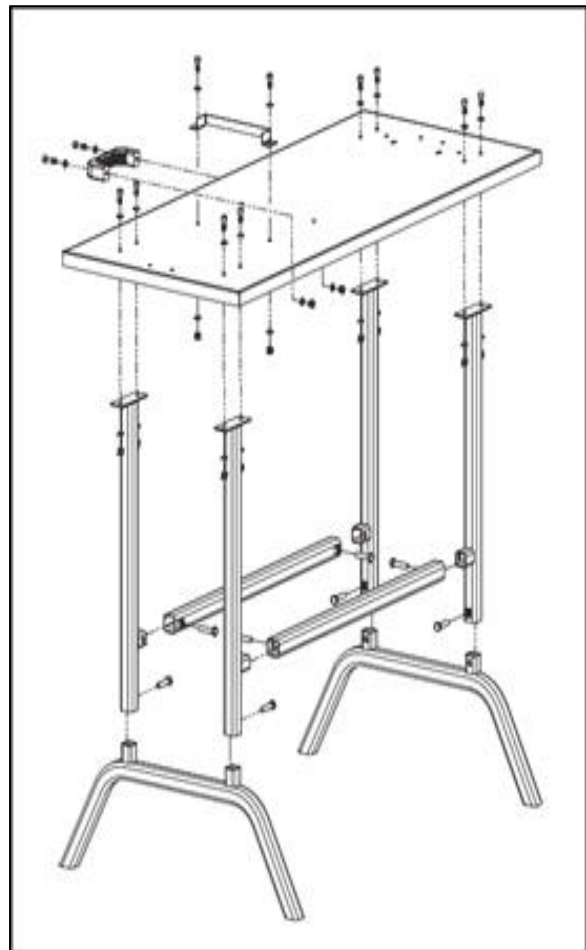
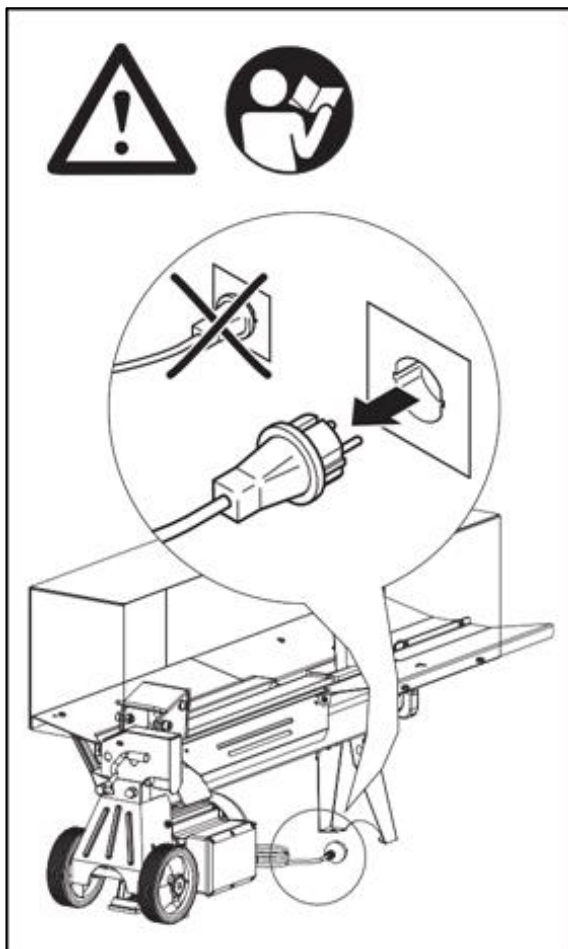
YOU MUST REQUEST THE ASSISTANCE OF ANOTHER ADULT, PRIOR TO UNDERTAKING STEPS 2,3 & 4.

Do not fully tighten the fixing bolts to allow adjustments, until prompted.

- Attach the four uprights to the two U-shaped legs, with bolt M8*35 x4 to create two leg assemblies.
- Join the two leg assemblies to each other with the two cross-struts, again using bolt M8*35 x4.
- Now with the help of another adult, place the tabletop onto the leg assembly and attach using the screw M6*16 x8, washer 6 x16 and locknut M6 x8 (Note: two washers per bolt, one either side of the tabletop).

You can now tighten all nuts and bolts to ensure the table is stable and level.

- Attach the metal foot brace on to the top of the table, with the screw M6*16 x2, washer 6 x4 & M6 locknut x2 (Note: two washers per bolt, one either side of the tabletop).
- Affix the front handle to the tabletop with the screw M6*25 x2, washer 6 x4 & locknut M6 x2 (Note: two washers per bolt, one either side of the handle).

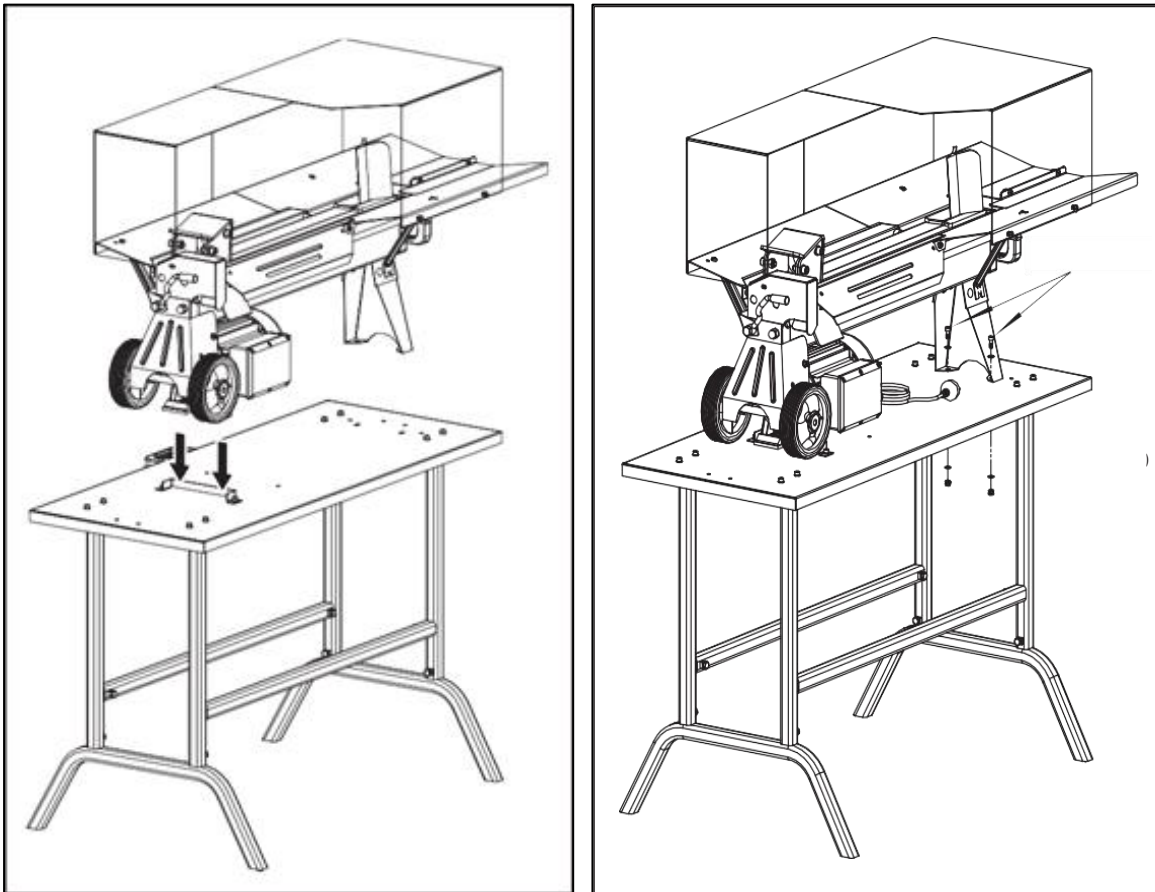


STEP 3

Lift the log splitter (**Minimum Two Person Lift**) onto the tabletop and ensure the log splitter rear legs are positioned within the leg brace affixed to the tabletop.

STEP 4

With a second adult ensuring the log splitter does not move from the tabletop, secure the log splitter front leg to the table, using the screw M6*16 x2, large washer 6 x4 & locknut M6 x2 (Note: two washers per bolt, one either side of the tabletop).



OPERATION



WARNING

Before using the log splitter table, review the instructions below and safety information. Failure to follow these instructions may result in property damage or injury to the operator or bystanders.

USING YOUR LOG SPLITTER TABLE

1. **ALWAYS** secure and lock your log splitter to the log splitter table before operating.
2. **ENSURE** the log splitter attached to the table is suitable, prior to any operation.
3. **ALWAYS** use the log splitter table for its intended purpose.
4. **DO NOT** use the log splitter table for uses which it has not be designed for.
5. **NEVER** operate on uneven surfaces.
6. **ENSURE** the safety instructions within this manual are **ALWAYS** adhered too.

MAINTENANCE & STORAGE



WARNING

Repairs and maintenance work, other than those described within this instruction manual may be performed only by an authorised service agent.

MAINTENANCE

Users of this product should only undertake actions described in this manual, unless otherwise instructed by the manufacturer. When repairing the product, always use approved replacement Handy Parts or those which are technically identical. Using high quality replacement parts avoids the risk of accidents, damage to the product and invalidating the manufacturer's warranty.

STORAGE

For years of trouble-free service, make sure the log splitter table is clean and dry before storing. Store in a dry protected area away from sunlight and severe weather in winter months.

TROUBLESHOOTING



WARNING

If the product does not perform properly, makes unusual sounds, or any other irregularity or malfunction occurs, do not attempt to repair the product by yourself. Please contact customer services or your local authorised service dealer for advice.

IF YOU REQUIRE ASSISTANCE WITH REGARDS TO THE CONTENTS OR OPERATION OF THE MACHINE, PLEASE CONTACT US:

TEL: 01793 333212

EMAIL: CUSTOMERSERVICE@HANDYDISTRIBUTION.CO.UK

OPENING HOURS WEEKDAYS: FEB TO OCT 8:30AM - 5:30PM / NOV TO JAN 8:30AM - 5:00PM

GJ HANDY & CO LTD USER WARRANTY POLICY

VERSION 8 01-2020

Users Statement of Warranty

Each new machine is warranted against defective material or assembly of material under normal usage. The warranty applies to the original purchaser and covers faulty parts and the labour involved in replacing and repairing those parts, which are of original manufacture.

Period of Warranty

The Handy (Petrol & Electric only), Webb (excludes Dynamic, Heritage, Legacy), Sanli Engine

- a) 2 years from the original date of sale to the first domestic user.
- b) 90 days from the original date of sale to the professional/commercial user.
- c) 90 days from the original date of sale when used for hire.
- d) A reduced warranty period of 90 days applies to those items which are subject to normal wear and tear (e.g. but not limited to wheels, tyres, cutter bars, cylinders, cutting blades, blade boss, belts, cables, nylon line & spool, collection bags, spark plugs).
- e) Engines are supplied with a separate warranty to the machine. The engine manufacturers warranty statement which will be supplied within the engine instruction manual. All enquiries and warranty repairs should be discussed with the engine manufacturer or approved warranty repair dealer.
- f) 90 days from the original date of purchase for Replacement Spare Parts (unless normal wear & tear component, which are covered for 30 days).
- g) All machines' must be serviced within the first 12 months from the original date of purchase to comply with the warranty (if applicable), failure to do so will invalidate the 2nd year of the warranty.

Webb Dynamic, Heritage & Legacy, Handy (All non-Petrol & Electric), Mowerland, Q-Garden

- a) 1 year from the original date of sale to the first domestic user.
- b) 90 days from the original date of sale to the professional/commercial user.
- c) 90 days from the original date of sale when used for hire.
- d) A reduced warranty period of 90 days applies to those items which are subject to normal wear and tear (e.g. but not limited to wheels, tyres, cutter bars, cylinders, cutting blades, blade boss, belts, cables, nylon line & spool, collection bags, spark plugs).
- e) Engines are supplied with a separate warranty to the machine. The engine manufacturers warranty statement which will be supplied within the engine instruction manual. All enquiries and warranty repairs should be discussed with the engine manufacturer or approved warranty repair dealer.
- f) 90 days from the original date of purchase for Replacement Spare Parts (unless normal wear & tear component, which are covered for 30 days).

All warranty repairs must be undertaken by an authorised service dealer. These dealers have been accredited by GJ Handy & Co Ltd and agree to only use genuine parts and follow our repair procedures.

Not covered by this warranty

- a) The warranty policy does not cover any depreciation or damages caused by ordinary wear, rusting or corrosion, lack of correct maintenance or operation, misuse, abuse, lack of transportation or accident.
- b) The warranty policy does not cover any costs necessary for the standard periodic maintenance services instructed by the operator's manual, or service parts replacement which would include oil, filters, tyres, belts, brake linings, fuses, blades, seals and other service parts unless it can be proven that the item has evidence of faulty manufacture.
- c) The warranty policy will not cover failure or damage caused as a result of parts or accessories being modified without the written approval of GJ Handy & Co Ltd.
- d) The warranty policy will not cover the unit if non-genuine parts have been fitted and as a result damage has occurred to the unit.
- e) The warranty policy is non-transferable and is only applicable to the original purchaser.

Disclaimer

- a) This warranty is only a remedy for defect of products. GJ Handy & Co Ltd will never warranty in terms of the merchantability or the fitness for a particular purpose.
- b) No person is authorised to make any warranties, representations or promises, expressed or implied, on behalf of GJ Handy & Co Ltd, or to modify the terms conditions or limitation of this warranty policy in any way.
- c) Neither GJ Handy & Co Ltd nor any company affiliated with GJ Handy & Co Ltd shall be liable in any event or manner whatsoever for incidental or consequential damages or injuries, including, but not limited to, loss of crops, loss of profit, out of pocket expenses or profits, rental of substitute equipment or other commercial losses.

General

- a) Most warrantable failures show up within the first few weeks of use. These failures are usually straightforward and warranty assessment is relatively easy.
- b) Failures relating to cutter decks and belts need careful investigation, as the cause may not always be straightforward. Look for damage to blades and pulleys especially when the cutter belt or blade boss have snapped or cracked as this could be due to impact damage.
- c) Customers should always refer to the operator/instruction manual when any disputed problem arises, you will find most areas covered within the manual.

**For spares or support of your handy product,
please contact us:**

Tel: 01793 333212

Email: customerservice@handydistribution.co.uk

Opening Hours Weekdays:

**Feb To Oct - 8:30am - 5:30pm / Nov To Jan - 8:30am - 5:00pm
(CLOSED BANK HOLIDAYS)**

To see our range of garden machinery & equipment visit:

www.thehandy.co.uk

Making gardening easier & affordable since 1938

Distributed by Handy Distribution, Murdock Road, Dorcan, Swindon, SN3 5HY