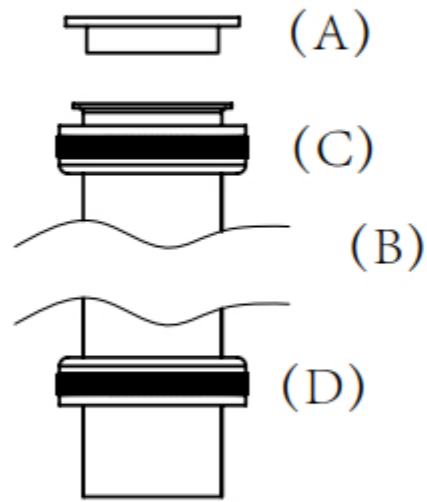
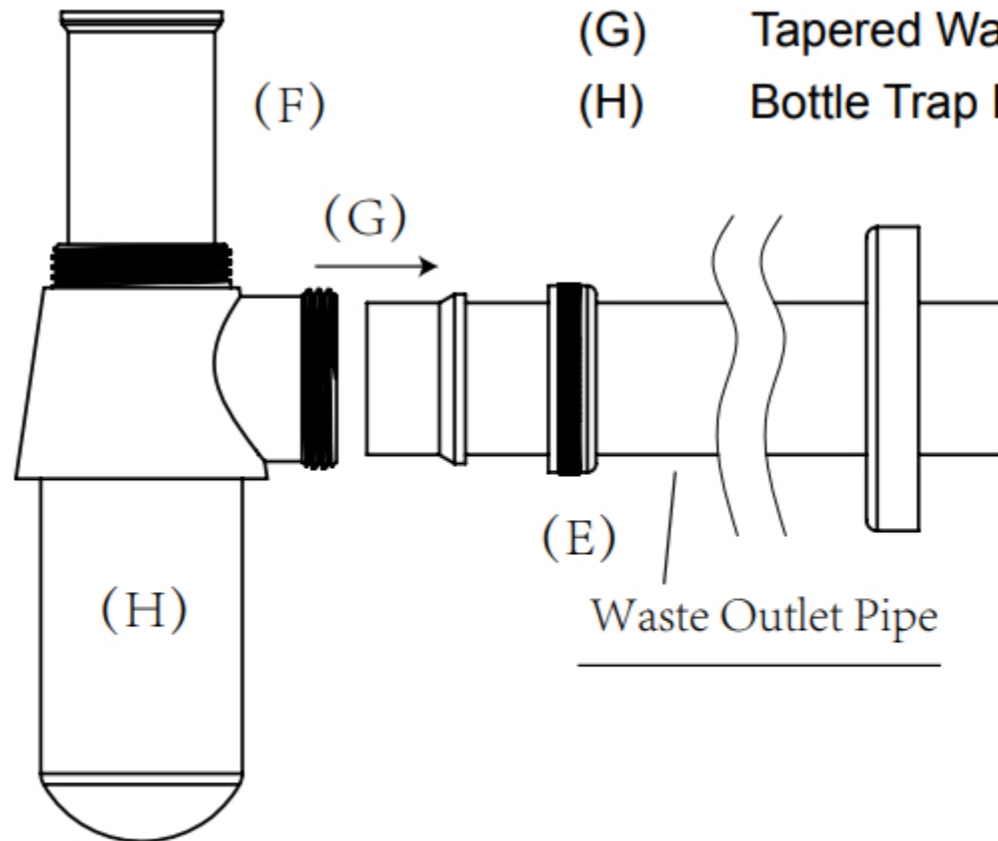


ASSEMBLY INSTRUCTIONS



COMPONENTS

- (A) Flat Washer
- (B) Plated metal tube
- (C)-(E) Nuts
- (F) Plastic Sleeve
- (G) Tapered Washer
- (H) Bottle Trap Body



1. Assemble nut (C) onto the plated metal tube (B) under the top flange with the wide end facing upwards to receive the waste assembly. Slide the knurled nut (D) over the plated tube, with the wide end facing down.
2. Push the plastic sleeve (F) into the top of the bottle trap main body (H) ensuring the lip seats on the neck of the trap. Insert the metal tube into the centre of the plastic sleeve and lock the knurled nut (D) firmly into position
3. This trap is designed to connect to standard 1 1/4" metal waste pipe. slide the nut (E) and tapered washer (G) over the waste pipe as shown. Insert pipe into the trap outlet and tighten the nut.
4. When fitted onto a basin waste outlet the washer (A) must be placed inside the nut (C) to form a seal between the trap and waste.

Check out our full range of Bathroom Suites

Bathroom Suites By Range

Cloakroom Suites

Toilets

Bathroom Sinks / Wash Basins

Bidets

Baths

Wide variety of toilets

Close Coupled Toilets

Wall Hung Toilets

Back To Wall Toilets

Furniture unit toilets

Huge Selection of Baths

Acrylic Baths

Steel Baths

Shower baths

Freestanding baths

Small baths

Corner baths

Whirlpool baths

Don't forget the important bathroom suite extras

Bath panels

Toilet seats

plumbworld
Big brands, small prices.