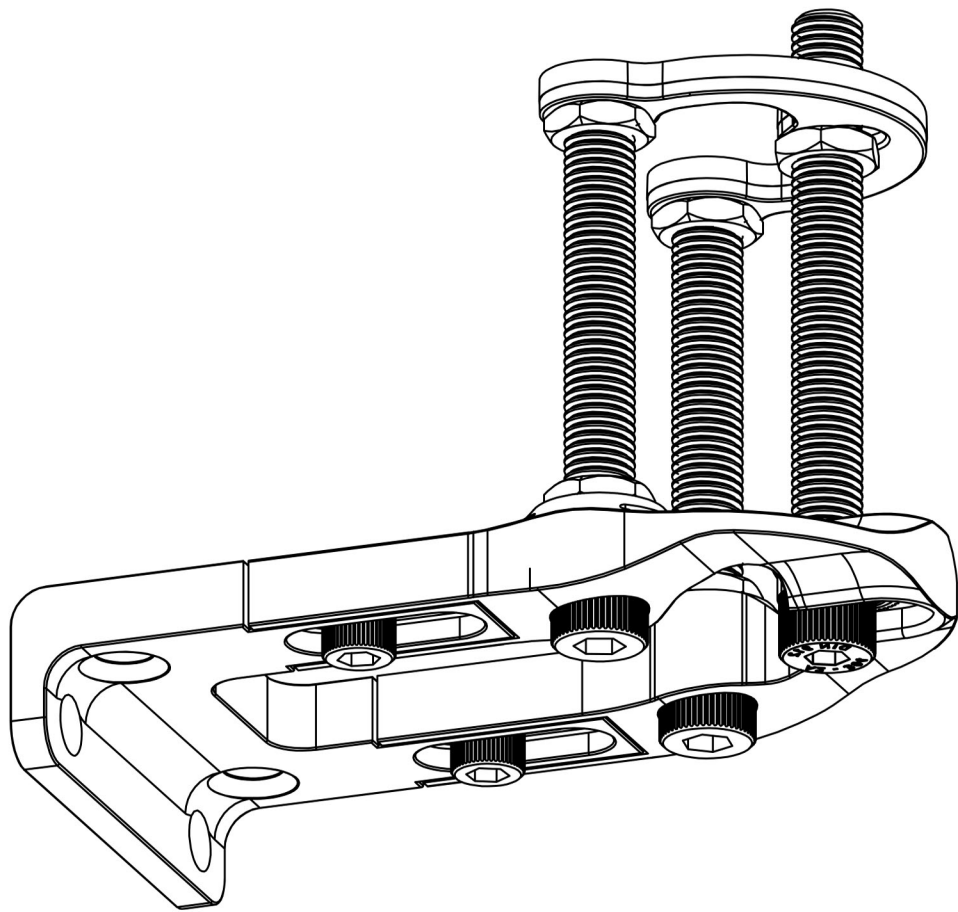


TapAnchor

User Guide



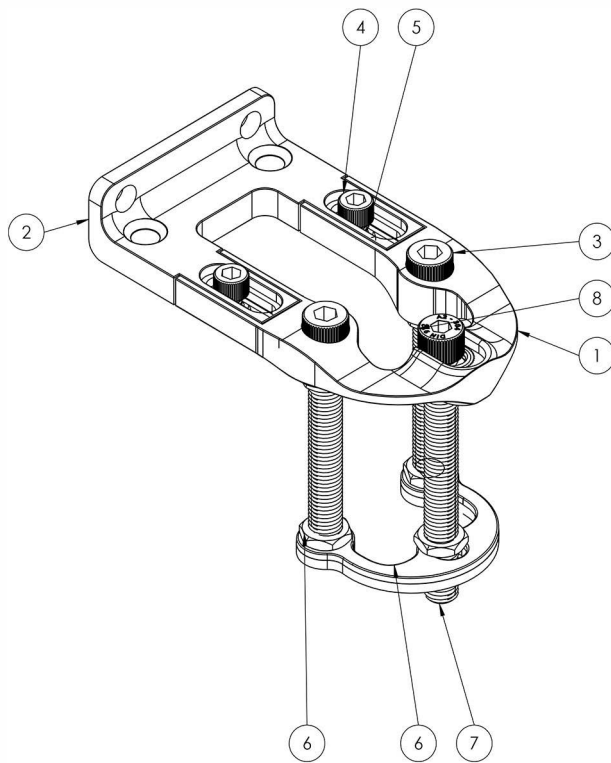
Introduction

Welcome to your new product. To make sure you get the best experience, please carefully read this guide before commencing installation.

Please note that the images in this installation guide are inverted, as they are from the installation viewpoint, which will be underneath the sink. The actual orientation will be as per the image shown on the front page of this guide.

The TapAnchor has been designed to work with Sauber taps and provides excellent stability as well as easy configuration via it's adjustable height and length. This makes the TapAnchor easy to fit into virtually any under sink environment. Once installed, the TapAnchor will give a solid and quality feel to your sink area.

Identifying Parts

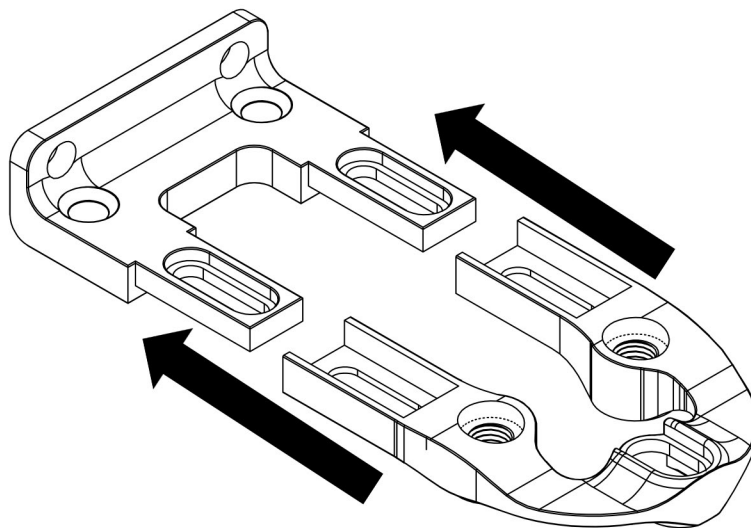


ITEM NO.	PART NUMBER	Material	TAPANCO2/QTY.
1	Body	Polypropylene	1
2	Wall Brace	Polypropylene	1
3	DIN 912 M8x70x1,25mm	Zinc	2
4	DIN912 M6x8x1mm	Zinc	2
5	DIN 439 M6x1mm	Zinc	2
6	Tap Connector	Polypropylene	1
7	DIN912 M8x80x1,25mm	Zinc	1
8	DIN 439 M8x1,25mm	Zinc	6

Installation

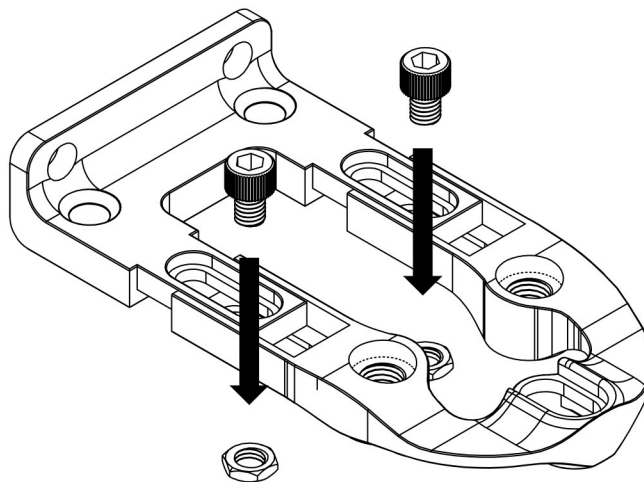
Stage 1

Select the body (part 1), and the wall bracket (part 2). Connect the wall bracket to the body as shown in the image below. The end of the wall bracket should be approximately the same distance as the base of the tap is to the location you would like to mount the TapAnchor to; e.g the wall or an area on the underside of your worktop.



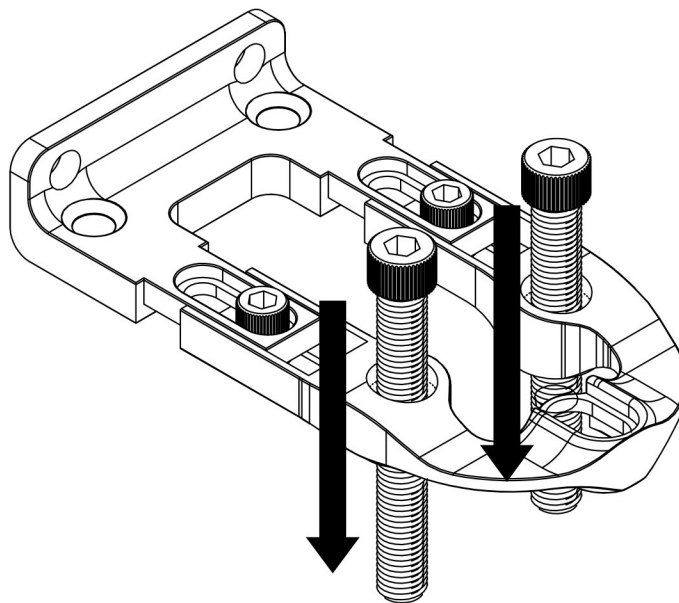
Stage 2

Select two M6x8 bolts (part 4), and two M6 nuts (part 5). Next, insert and tighten components as shown below with an appropriate hex (allen) key.



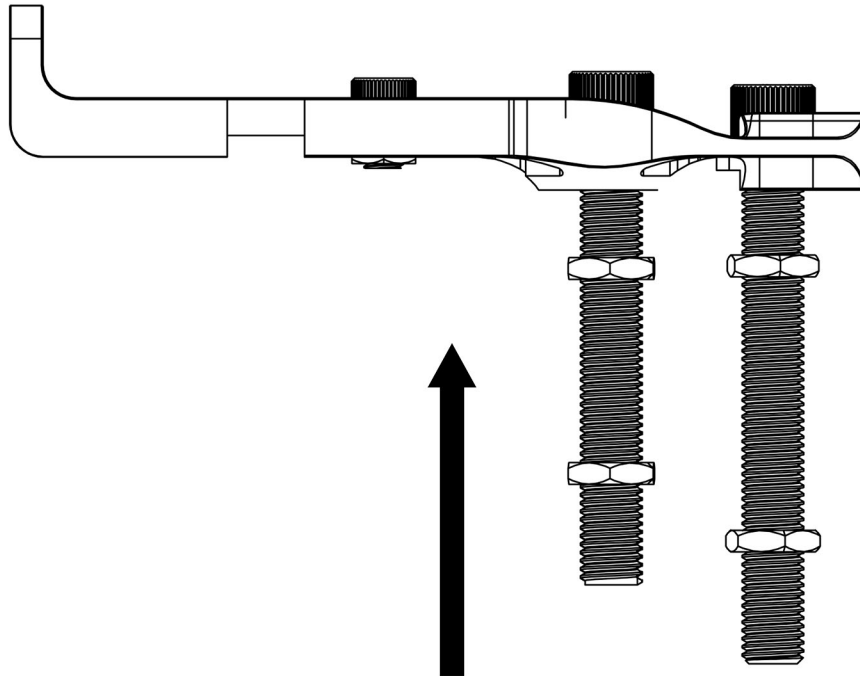
Stage 3

Next, select the body & wall bracket assembly and insert the two M8x70 bolts (part 3), as shown in the diagram below.



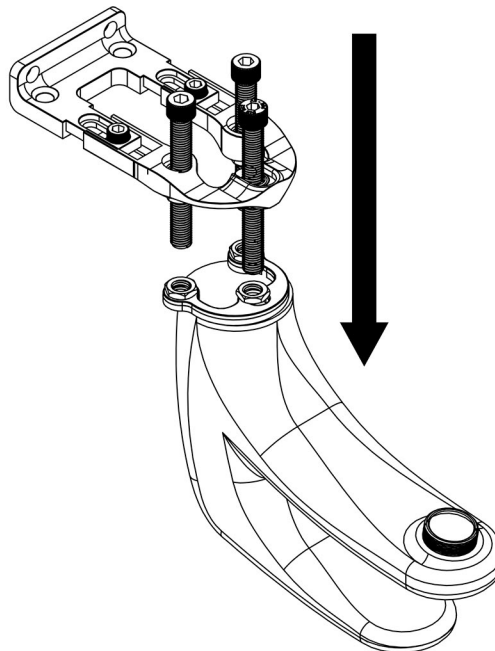
Stage 4

Select the six M8 nuts (part 7). Thread them approximately half way up the M8x70 bolts which are already installed in the assembly, as shown below.



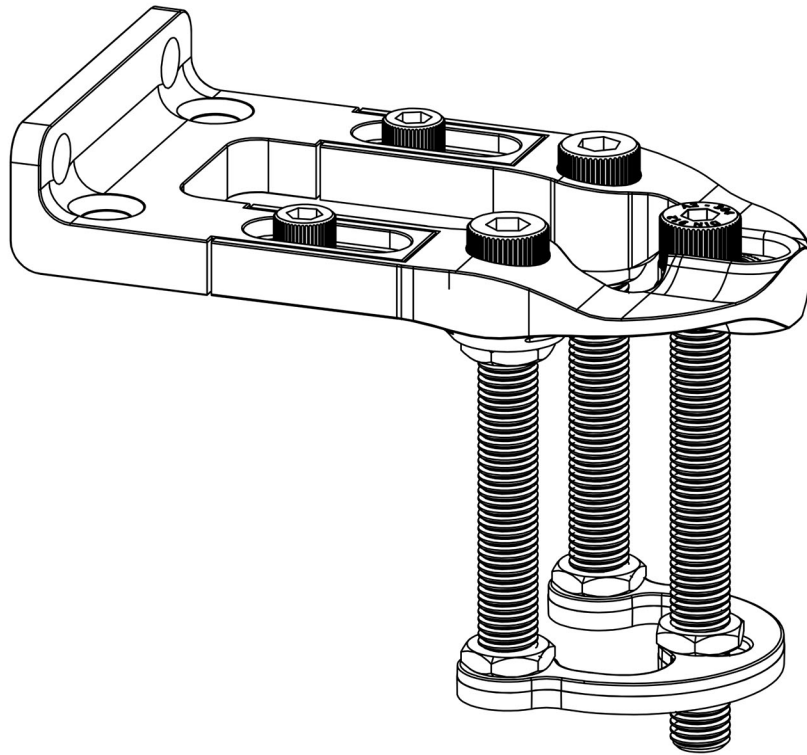
Stage 5

Thread the M8x70 bolts into the tap connector assembly as shown.



Stage 7

Tighten the nuts against the body and the tap connector.



Stage 8

Firmly secure the TapAnchor to the wall or the underside of your kitchen worktop as shown. This now completes installation.

