

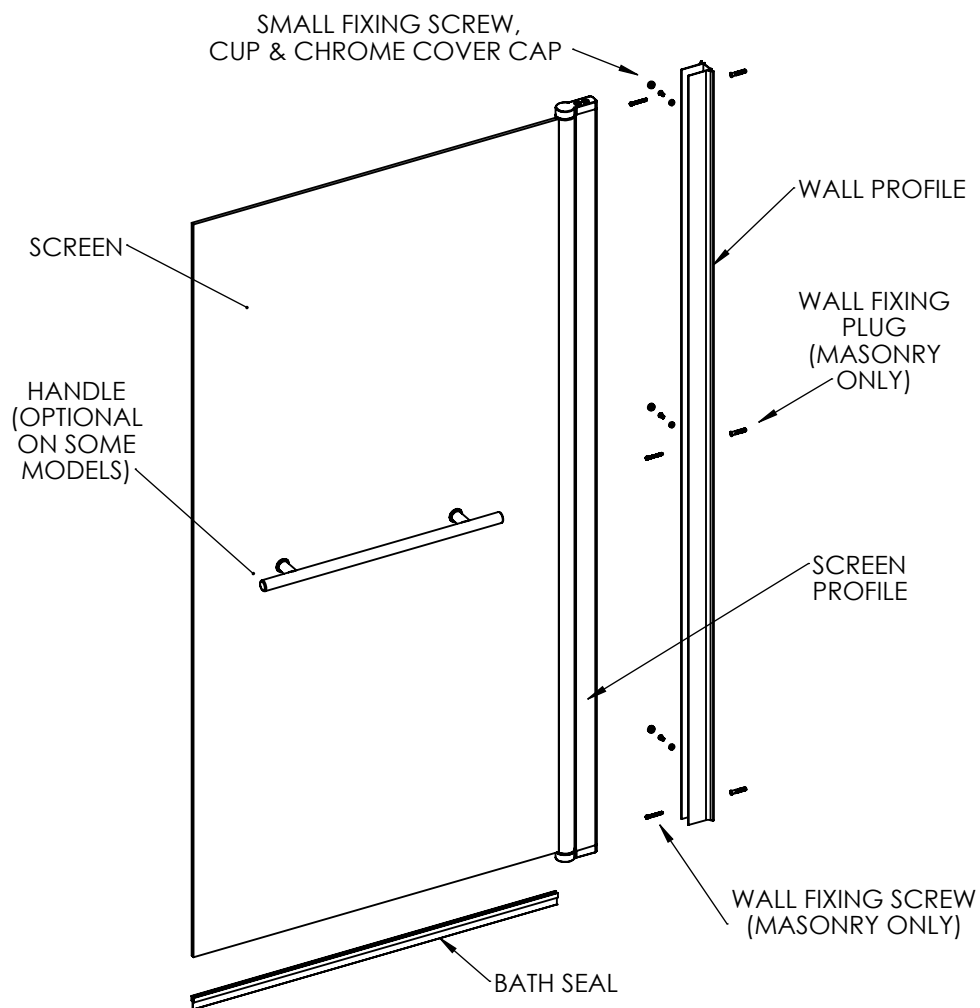
BATH SCREEN INSTALLATION

THIS INSTRUCTION COVERS OTHER MODELS, PLEASE READ **ALL** PAGES

UNPACK THE BOX AND ENSURE ALL COMPONENTS ARE PRESENT. NO REFUNDS OR REFITTING COST WILL BE GIVEN IF INCOMPLETE OR DAMAGED GOODS HAVE BEEN FITTED. THE TOUGHENED SAFETY GLASS IS MANUFACTURED TO SPECIFICATION EN12150-1 AND SHOULD BE HANDLED WITH CARE AS IMPACTS CAN DAMAGE THE GLASS AND CAUSE IT TO FAIL AT A LATER DATE.

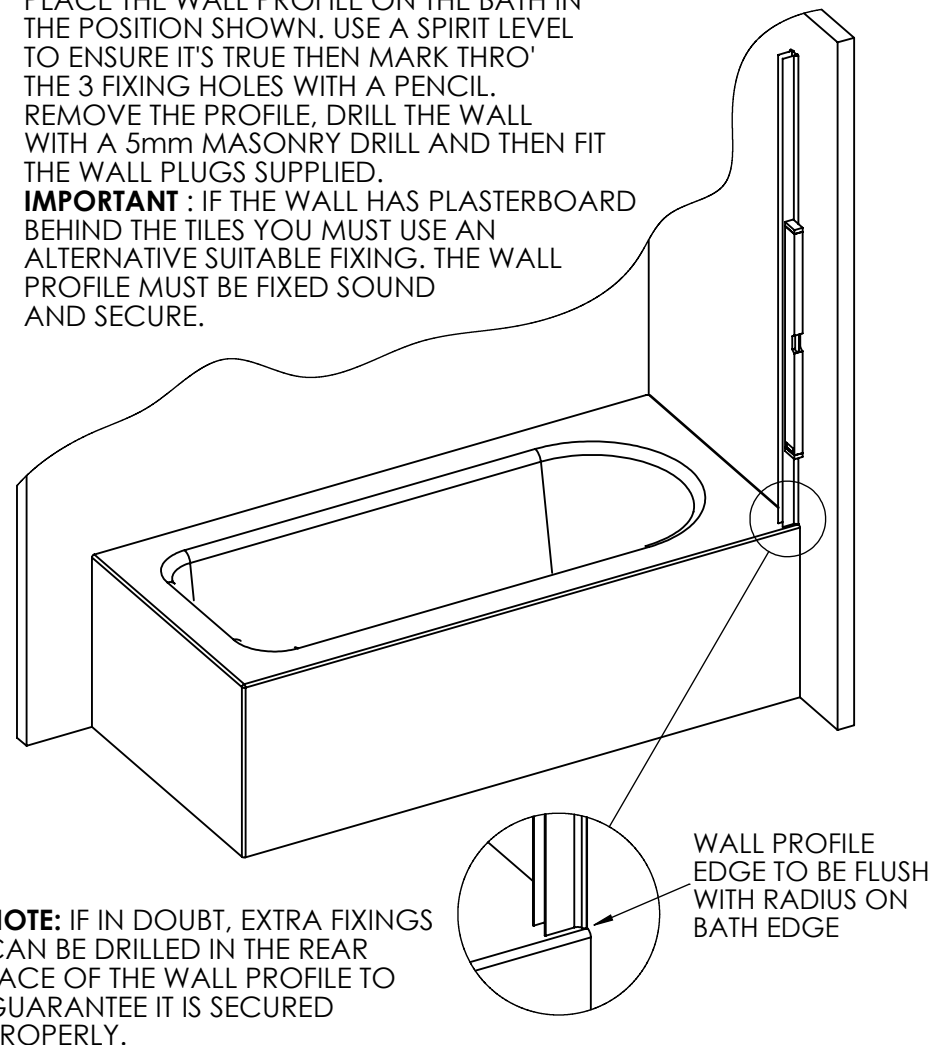
TOOLS REQUIRED

POWER DRILL - PENCIL - 5mm MASONRY DRILL BIT - 3mm HSS DRILL BIT - CROSS HEAD SCREWDRIVER - SANITARY GRADE SILICONE SEALANT - SPIRIT LEVEL.



1. PLACE THE WALL PROFILE ON THE BATH IN THE POSITION SHOWN. USE A SPIRIT LEVEL TO ENSURE IT'S TRUE THEN MARK THRO' THE 3 FIXING HOLES WITH A PENCIL. REMOVE THE PROFILE, DRILL THE WALL WITH A 5mm MASONRY DRILL AND THEN FIT THE WALL PLUGS SUPPLIED.

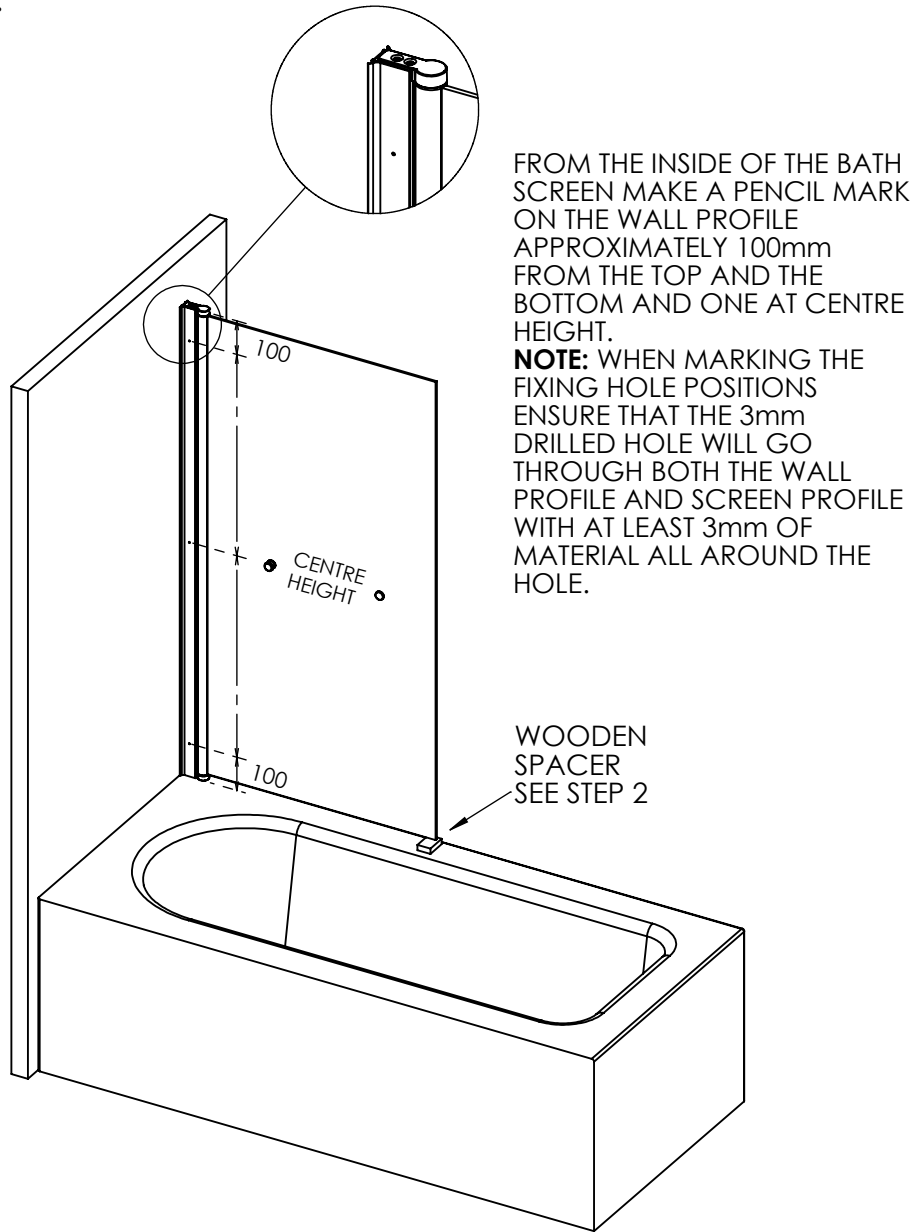
IMPORTANT : IF THE WALL HAS PLASTERBOARD BEHIND THE TILES YOU MUST USE AN ALTERNATIVE SUITABLE FIXING. THE WALL PROFILE MUST BE FIXED SOUND AND SECURE.



NOTE: IF IN DOUBT, EXTRA FIXINGS CAN BE DRILLED IN THE REAR FACE OF THE WALL PROFILE TO GUARANTEE IT IS SECURED PROPERLY.

2. NOW SLIDE THE SCREEN ASSEMBLY INTO THE WALL PROFILE. THE BOTTOM EDGE OF THE GLASS PANEL **MUST** BE PARALLEL TO THE BATH TOP FACE. YOU CAN MAKE A WOODEN SPACER (18mm) TO FIT UNDER THE GLASS SO THERE IS AN EQUAL GAP ALL THE WAY LONG. THE SPACER WILL SUPPORT THE SCREEN PARALLEL WHILST YOU FIX IT IN PLACE AND THEN REMOVED.

3.



FROM THE INSIDE OF THE BATH SCREEN MAKE A PENCIL MARK ON THE WALL PROFILE APPROXIMATELY 100mm FROM THE TOP AND THE BOTTOM AND ONE AT CENTRE HEIGHT.

NOTE: WHEN MARKING THE FIXING HOLE POSITIONS ENSURE THAT THE 3mm DRILLED HOLE WILL GO THROUGH BOTH THE WALL PROFILE AND SCREEN PROFILE WITH AT LEAST 3mm OF MATERIAL ALL AROUND THE HOLE.

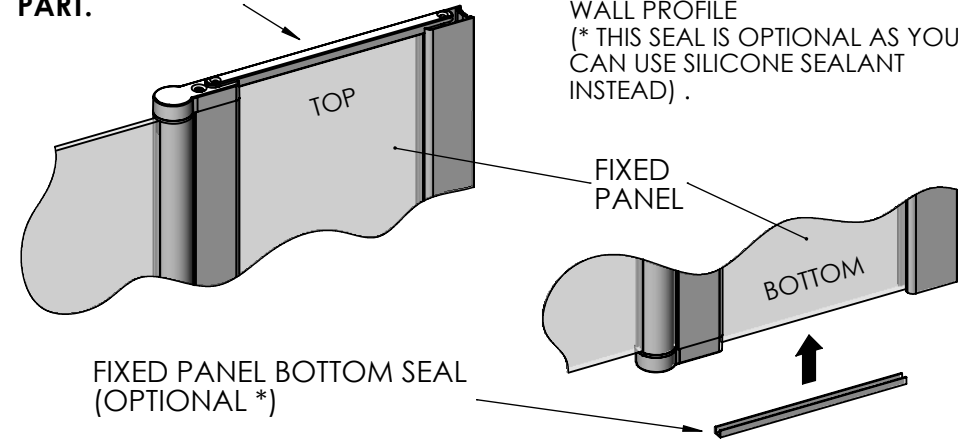
WOODEN SPACER
SEE STEP 2

FIT THE SMALL SCREWS, CUP WASHER AND CHROME CAP IN 3 POSITIONS. THE SCREEN IS NOW FIXED IN PLACE

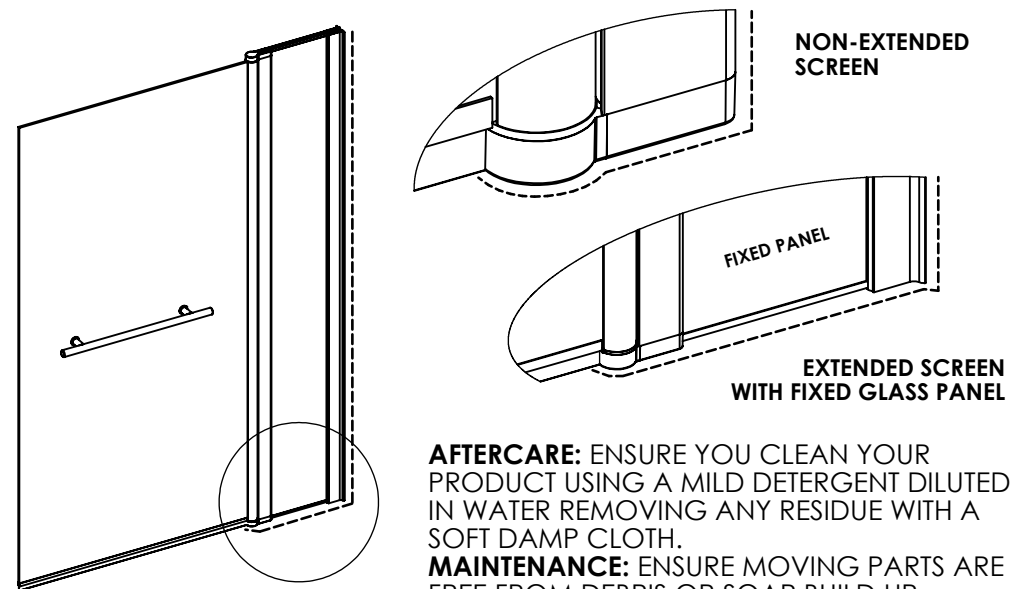
EXTRA INFORMATION IF FITTING A SCREEN WITH A FIXED GLASS PANEL.

CHROME BRACING BAR TO THE TOP.
DO NOT REMOVE, ESSENTIAL STRUCTURAL PART.

FIT THIS SCREEN IN EXACTLY THE SAME WAY AS STEPS 1,2 &3 BUT FIT THE FIXED PANEL BOTTOM SEAL IN PLACE BEFORE YOU SLIDE IT INTO THE WALL PROFILE (* THIS SEAL IS OPTIONAL AS YOU CAN USE SILICONE SEALANT INSTEAD) .



4. FIT SCREEN BATH SEAL TO GLASS PANEL AND SILICONE AS BELOW ----- ALLOW 24 HOURS TO DRY BEFORE USING.



AFTERCARE: ENSURE YOU CLEAN YOUR PRODUCT USING A MILD DETERGENT DILUTED IN WATER REMOVING ANY RESIDUE WITH A SOFT DAMP CLOTH.

MAINTENANCE: ENSURE MOVING PARTS ARE FREE FROM DEBRIS OR SOAP BUILD UP.

Check out our full range of Bathroom Suites

Bathroom Suites By Range

Cloakroom Suites

Toilets

Bathroom Sinks / Wash Basins

Bidets

Baths

Wide variety of toilets

Close Coupled Toilets

Wall Hung Toilets

Back To Wall Toilets

Furniture unit toilets

Huge Selection of Baths

Acrylic Baths

Steel Baths

Shower baths

Freestanding baths

Small baths

Corner baths

Whirlpool baths

Don't forget the important bathroom suite extras

Bath panels

Toilet seats

plumbworld
Big brands, small prices.